

# Product data sheet

## Characteristics

# 9001KR1U

30mm Push Button, Type K, push button, full guard, universal

Product availability: Stock - Normally stocked in distribution facility



### Main

|                                 |                                    |
|---------------------------------|------------------------------------|
| Range of product                | Harmony 9001K                      |
| Product or component type       | Head for spring return push-button |
| Device short name               | 9001K                              |
| Operator profile                | Flush, marking: unmarked           |
| Operator additional information | Set of 7 color caps                |

### Complementary

|                              |                        |
|------------------------------|------------------------|
| Mounting diameter            | 1.18 in (30 mm)        |
| Shape of signaling unit head | Round                  |
| Type of operator             | Spring return          |
| Product weight               | 0.19 lb(US) (0.087 kg) |

### Ordering and shipping details

|                       |                               |
|-----------------------|-------------------------------|
| Category              | 21426 - 9001 K (NOT KA,KM,KX) |
| Discount Schedule     | CS1                           |
| GTIN                  | 00785901874706                |
| Nbr. of units in pkg. | 1                             |
| Package weight(Lbs)   | 0.23999999999999999           |
| Returnability         | Y                             |
| Country of origin     | MX                            |

### Offer Sustainability

|                           |  |
|---------------------------|--|
| RoHS (date code: YYWW)    | Compliant - since 0921 - Schneider Electric declaration of conformity <a href="#">Schneider Electric declaration of conformity</a> |
| REACH                     | Reference not containing SVHC above the threshold  |
| California proposition 65 | WARNING: This product can expose you to chemicals including:   |
| ----- Substance 1         | Lead and lead compounds, which is known to the State of California to cause cancer and birth defects or other reproductive harm.   |
| ----- More information    | For more information go to <a href="http://www.p65warnings.ca.gov">www.p65warnings.ca.gov</a>                                      |

### Contractual warranty

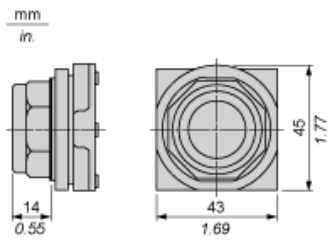
|                 |           |
|-----------------|-----------|
| Warranty period | 18 months |
|-----------------|-----------|

The information provided in this documentation contains general descriptions and/or technical characteristics of the performance of the products contained herein. This documentation is not intended as a substitute for and is not to be used for determining suitability or reliability of these products for specific user applications. It is the duty of any such user or integrator to perform the appropriate and complete risk analysis, evaluation and testing of the products with respect to the relevant specific application or use thereof. Neither Schneider Electric Industries SAS nor any of its affiliates or subsidiaries shall be responsible or liable for misuse of the information contained herein.

---

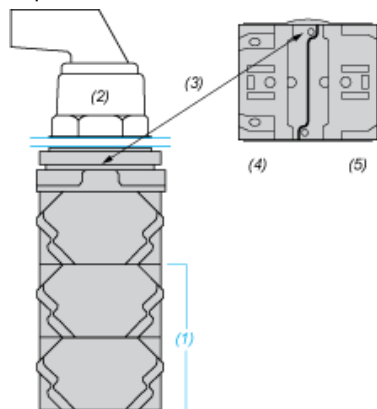
Dimensions

---



Contact Block Mounting Position

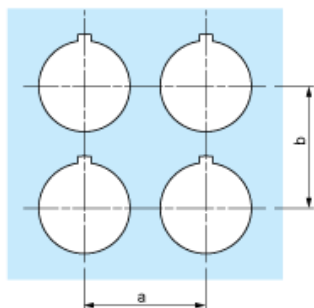
Top and Rear views



- (1) It is possible to mount up to 3 levels of contacts blocks (maximum of 6 contacts blocks)
- (2) Operator
- (3) Locating notch
- (4) Side 1
- (5) Side 2

Panel Cut-Out

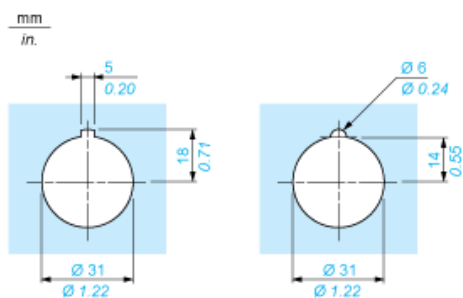
Clearance



| Legend plate | a min. |      | b min. |      |
|--------------|--------|------|--------|------|
|              | mm     | in.  | mm     | in.  |
| 9001KN2••    | 57.2   | 2.25 | 44.5   | 1.75 |
| 9001KN3••    | 57.2   | 2.25 | 50.8   | 2.00 |

Individual Cut-outs Details

2 alternatives



## X-ON Electronics

Largest Supplier of Electrical and Electronic Components

*Click to view similar products for [Pushbutton Switches](#) category:*

*Click to view products by [Schneider](#) manufacturer:*

Other Similar products are found below :

[8940K2012](#) [LW1L-M1C10V-A](#) [LW1L-M1C70-A](#) [LW2L-A1C20M-GD](#) [LW2L-M1C20M-A](#) [60324L](#) [M22-D-R-GB0/K11](#) [M7E-HRN2](#)  
[67021K512](#) [67081K512X](#) [701PB580](#) [7199K101](#) [810K12910](#) [810KSV30B](#) [MML21EA2ADK](#) [MML21KA3ABK](#) [MML23KA3AC05K-001](#)  
[MML23KW3AA01W](#) [8418K2](#) [8442K2](#) [8442K3](#) [8450K1](#) [860K11911T01A](#) [861901](#) [861K11911T01A07](#) [861K13810T00A14](#) [861K13911](#)  
[8646AB6X718UL](#) [8646ABUL](#) [9001KXRK](#) [907AYY100](#) [PMHD155A1](#) [9533CD4+U574+U4922](#) [95-414.000](#) [99-450.837](#) [99-453.837](#)  
[PV3H2B0NN-341](#) [1203MRA](#) [A22NZBGANGA](#) [A22NZBNANGA](#) [A22NZMPATRA](#) [A2PMA1X03EC56](#) [A3A-5123-02](#) [A3A-7140](#) [A3A-7310](#) [A3A-7340](#) [A3U-TMW-A2C-5M](#) [A595](#) [12037A2ULCSA](#) [ABD122N-B](#)