

Product availability: Stock - Normally stocked in distribution facility



## Main

|                             |  |
|-----------------------------|--|
| Range of product            | Phaseo Dedicated   |
| Product or component type   | Power supply   |
| Power supply type           | Regulated switch mode  |
| Rated power in W            | 240 W  |
| Input voltage               | 100...120 V AC single phase<br>180...370 V DC  |
| Output voltage              | 24 V DC  |
| Power supply output current | 10 A   |
| Operating position          | Any position   |
| Vibration resistance        | 2 gn (f = 9...150 Hz) conforming to EN/IEC 61131-2<br>3.5 mm (f = 5...9 Hz) conforming to EN/IEC 61131-2   |
| Name of test                | Conducted interference conforming to EN 61000-4-8 level 4<br>Conducted/Radiated emissions conforming to EN 55022 Class B<br>Conducted/Radiated emissions conforming to EN/IEC 55011<br>Electrostatic discharges conforming to EN/IEC 61000-4-2 level 3<br>Emission conforming to EN/IEC 61000-6-3<br>Induced electromagnetic field conforming to EN/IEC 61000-4-6 level 3<br>Primary outage conforming to IEC 61000-4-11<br>Radiated electromagnetic field conforming to EN/IEC 61000-4-3 level 3<br>Rapid transient conforming to IEC 61000-4-4 level 3<br>Surge conforming to EN/IEC 61000-4-5 |

## Complementary

|                          |  |
|--------------------------|--|
| Input voltage limits     | 170...264 V<br>85...132 V  |
| Network frequency        | 47...63 Hz   |
| Inrush current           | 50 A at 115 V AC<br>100 A at 230 V AC  |
| Cos phi                  | 0.7...0.95   |
| Efficiency               | 80 %   |
| Power dissipation in W   | 60 W   |
| Current consumption      | 3 A at 240 V<br>6 A at 100 V   |
| Input protection type    | Integrated fuse (not interchangeable)  |
| Output voltage limits    | 21.6...26.4 V  |
| Line and load regulation | +/- 3 %  |
| Holding time             | >= 10 ms at 100 V<br>>= 40 ms at 240 V   |
| Output protection type   | Against overload, protection technology: 1.1...1.5 x In<br>Against overvoltage, protection technology: tripping if U > 1.25 x Un<br>Against short-circuits, protection technology: automatic reset<br>Thermal  |
| Connections - terminals  | Screw type terminals ground connection, connection capacity: 1 x 4 mm <sup>2</sup> AWG 12<br>Screw type terminals input connection, connection capacity: 2 x 4 mm <sup>2</sup> AWG 12<br>Screw type terminals output connection, connection capacity: 4 x 4 mm <sup>2</sup> AWG 12 |
| Marking                  | CE   |

|                                 |                                      |
|---------------------------------|--------------------------------------|
| Mounting support                | Panel<br>Reversible mounting bracket |
| Operating altitude              | 6561.68 ft (2000 m)                  |
| Output coupling                 | Parallel<br>Series                   |
| Overvoltage category            | II                                   |
| Meantime between failure [MTBF] | 100000 h at 40 °C                    |
| Status LED                      | 1 LED green output voltage           |
| Product weight                  | 2.71 lb(US) (1.23 kg)                |

## Environment

|                                       |  |
|---------------------------------------|--|
| Product certifications                | CCSAus<br>CSA 22-2 No 60950-1<br>TUV 60950-1<br>UL 508<br>RCM<br>EAC<br>KC   |
| Environmental characteristic          | Low frequency harmonic currents conforming to EN/IEC 61000-3-2<br>EMC conforming to EN 50081-1<br>EMC conforming to EN 50082-2<br>EMC conforming to EN 61000-6-3<br>EMC conforming to EN/IEC 61000-6-2<br>Safety conforming to EN/IEC 60950-1<br>Safety conforming to SELV |
| IP degree of protection               | IP20 conforming to EN/IEC 60950  |
| Ambient air temperature for operation | 32...113 °F (0...45 °C) without derating factor<br>113...140 °F (45...60 °C) with derating factor  |
| Ambient air temperature for storage   | -13...185 °F (-25...85 °C)   |
| Relative humidity                     | 20...90 %  |
| Overvoltage category                  | Class I conforming to VDE 0106-1   |
| Pollution degree                      | 2  |
| Dielectric strength                   | 1500 V between input and ground<br>3000 V between input and output<br>500 V between output and ground  |

## Ordering and shipping details

|                       |                                       |
|-----------------------|---------------------------------------|
| Category              | 22524 - ABL1 DEDICATED POWER SUPPLIES |
| Discount Schedule     | CP12                                  |
| GTIN                  | 00785901665540                        |
| Nbr. of units in pkg. | 1                                     |
| Package weight(Lbs)   | 3.0899999999999999                    |
| Returnability         | Y                                     |
| Country of origin     | CN                                    |

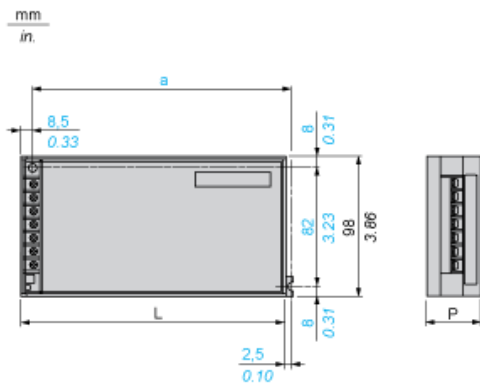
## Offer Sustainability

|                           |  |
|---------------------------|--|
| California proposition 65 | WARNING: This product can expose you to chemicals including:   |
| ----- Substance 1         | Lead and lead compounds, which is known to the State of California to cause cancer and birth defects or other reproductive harm. |
| ----- More information    | For more information go to <a href="http://www.p65warnings.ca.gov">www.p65warnings.ca.gov</a>                                    |

## Contractual warranty

|                 |           |
|-----------------|-----------|
| Warranty period | 18 months |
|-----------------|-----------|

Dimensions



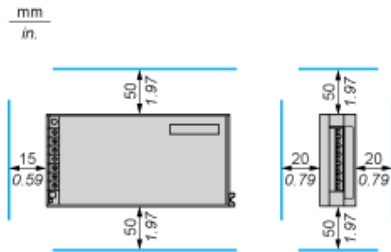
Dimensions in mm

| a   | L   | P  |
|-----|-----|----|
| 194 | 200 | 65 |

Dimensions in in.

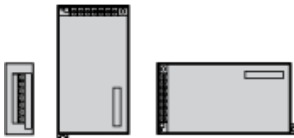
| a    | L    | P    |
|------|------|------|
| 7.64 | 7.87 | 2.56 |

Clearance



Mounting Way

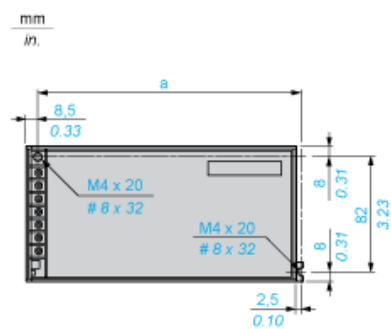
Mounting on Vertical Plane



Mounting on Horizontal Plane



Direct Mounting by 2 M4 x 20 Screws



Dimensions in mm

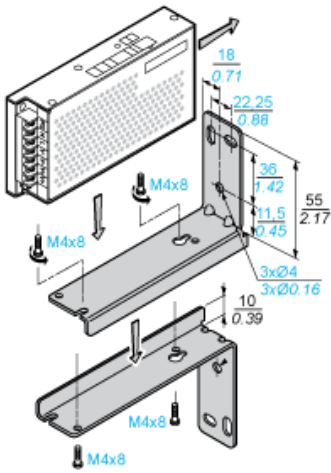
|     |
|-----|
| a   |
| 194 |

Dimensions in in

|      |
|------|
| a    |
| 7.64 |

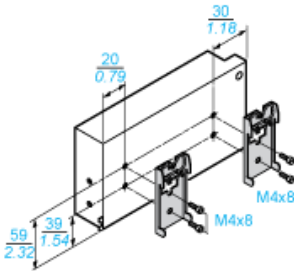
Mounting on the Back on ABL 1A01 Reversible Bracket by Three 4 mm Diameter Screws

mm  
in.

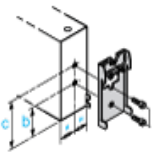


### Mounting on ABL 1A02 Clip-on Mounting on 35 mm Rail

mm  
in.



### Mounting by the Back



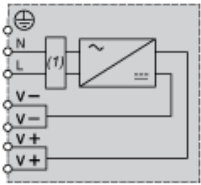
Dimensions in mm

| b  | c  |
|----|----|
| 28 | 48 |

Dimensions in in.

| b    | c    |
|------|------|
| 1.10 | 1.89 |

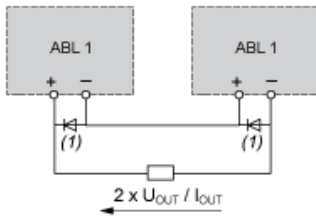
## Internal Wiring Diagram



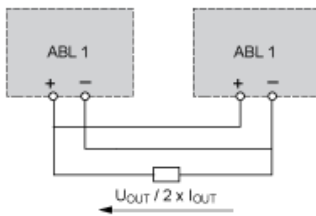
(1) Filter

## Series or Parallel Connection

### Series Connection



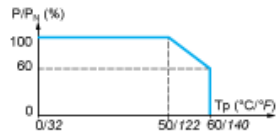
### Parallel Connection



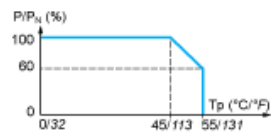
(1) 15 A/100 V Schottky diode

Derating Curves

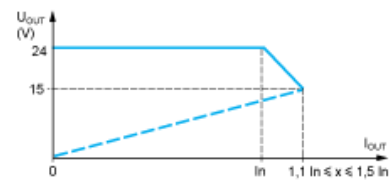
Mounting on Vertical Plane



Mounting on Horizontal Plane



Load Limits Curve



## X-ON Electronics

Largest Supplier of Electrical and Electronic Components

*Click to view similar products for [Switching Power Supplies](#) category:*

*Click to view products by [Schneider](#) manufacturer:*

Other Similar products are found below :

[70841011](#) [73-551-0005](#) [MDPS](#) [AAD600S-4-OP](#) [R22095](#) [MQB02002](#) [BFE05SX-U](#) [KD0204](#) [9021](#) [S-15F-12](#) [LDIN100150](#) [LPM000-BBAR-01](#) [LPX17S-C](#) [FDC40-24S12](#) [FP80](#) [FRV7000G](#) [22929](#) [CQM1IA121](#) [40370121900](#) [VI-NU2-EM](#) [VI-PU22-EXX](#) [40370121910](#) [LDIN5075](#) [WRB01X-U](#) [LPX140-C](#) [08-30466-1040G](#) [09-160CFG](#) [70841004](#) [70841025](#) [VPX3000-CBL-DC](#) [VI-LUL-IU](#) [LPM000-BBAR-05](#) [LPM000-BBAR-08](#) [LPM124-OUTA1-48](#) [LPM000-BBAR-07](#) [LPM109-OUTA1-10](#) [LPM616-CHAS](#) [08-30466-1055G](#) [08-30466-2175G](#) [DMB-EWG](#) [TVQF-1219-18S](#) [6504-226-2101](#) [CQM1IPS01](#) [XPFM201A+](#) [MAP55-4003G](#) [MAP80-4000G](#) [LFP300F-24-TY](#) [SMP21-L20-DC24V-5A](#) [VI-MUL-ES](#) [08-30466-0065G](#)