

Product availability: Non-Stock - Not normally stocked in distribution facility



Main

Range of product	Phaseo
Product or component type	Battery module
Input voltage	24 V DC
Output voltage	24 V DC
Maximum output current	32 A
Battery capacity	3.2 Ah
Holding time	< 20 hat 0.16 A, 68 °F (20 °C) > 5 minat 8.4 A, 68 °F (20 °C)

Complementary

Input voltage limits	21...29 V
Load current	0.3 A
Charging time	72 h
Output protection type	Against overload and short-circuits, protection technology: 1 x 20 A automotive type fuse
Connections - terminals	Screw type terminals input connection, connection capacity: 2 x 0.5...2 x 10 mm ² AWG 20...AWG 8 Screw type terminals output connection, connection capacity: 2 x 0.5...2 x 10 mm ² AWG 20...AWG 8
Self-discharge rate	15 %, 6 months 3 %, 1 month 9 %, 3 months
Fixing mode	By 2 screws, screw(s) Ø = 0.2 in (5 mm) on horizontal panel, operating position: horizontal By 4 screws, screw(s) Ø = 0.2 in (5 mm) on vertical panel, operating position: vertical By clips (with mounting kit) on 35 mm symmetrical DIN rail, operating position: horizontal By clips (with mounting kit) on 35 mm symmetrical DIN rail, operating position: vertical
Output coupling	Parallel
Operating altitude	6561.68 ft (2000 m)
Service life in hours	11000 hat 104 °F (40 °C) 15000 hat 95 °F (35 °C) 22000 hat 86 °F (30 °C) 31000 hat 77 °F (25 °C) 44000 hat 68 °F (20 °C) 5000 hat 122 °F (50 °C) 7300 hat 113 °F (45 °C)
Marking	CE
Product weight	7.72 lb(US) (3.5 kg)

The information provided in this documentation contains general descriptions and/or technical characteristics of the performance of the products contained herein. This documentation is not intended as a substitute for and is not to be used for determining suitability or reliability of these products for specific user applications. It is the duty of any such user or integrator to perform the appropriate and complete risk analysis, evaluation and testing of the products with respect to the relevant specific application or use thereof. Neither Schneider Electric Industries SAS nor any of its affiliates or subsidiaries shall be responsible or liable for misuse of the information contained herein.

Environment

IP degree of protection	Conforming to EN/IEC 60529
Ambient air temperature for operation	32...104 °F (0...40 °C)
Ambient air temperature for storage	-4...122 °F (-20...50 °C)
Overvoltage category	Class 3 conforming to VDE 0106-1
Vibration resistance	3.5 mm (f = 3...11.9 Hz) conforming to EN/IEC 61131-2 2 gn (f = 11.9...150 Hz) conforming to EN/IEC 61131-2
Product certifications	GOST UL

Ordering and shipping details

Category	22525 - ABL8 AND ABL7 POWER SUPPLIE
Discount Schedule	CP12
GTIN	00785901875628
Nbr. of units in pkg.	1
Package weight(Lbs)	8.6500000000000004
Returnability	N
Country of origin	FR

Offer Sustainability

California proposition 65	WARNING: This product can expose you to chemicals including:
----- Substance 1	Lead and lead compounds, which is known to the State of California to cause cancer and birth defects or other reproductive harm.
----- More information	For more information go to www.p65warnings.ca.gov

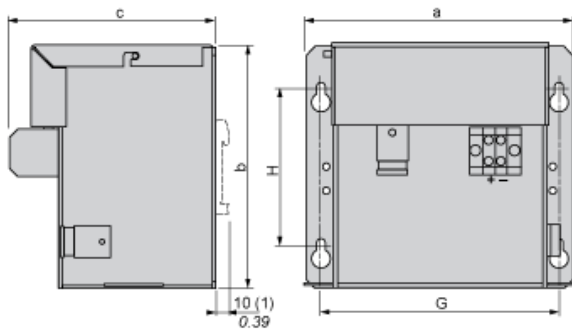
Contractual warranty

Warranty period	18 months
-----------------	-----------

24 Vdc Battery Module

Dimensions

mm
inch

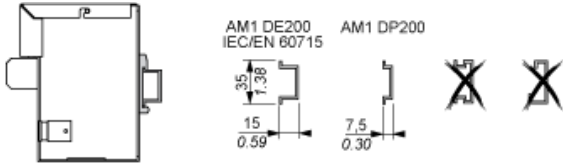


ABL	a	b	c	G	H
8BPK24A03	184/7.24	138,5/5.45	131	156/6.14	83/3.27
8BPK24A07	170/6.69	155,5/6.12	131	152/5.98	100/3.94
8BPK24A12	236/9.29	155,5/6.12	131	218/3.94	100/3.94

(1) ABL8BPK24A03 (with kit ABL1A02)

24 Vdc Battery Module

Mounting



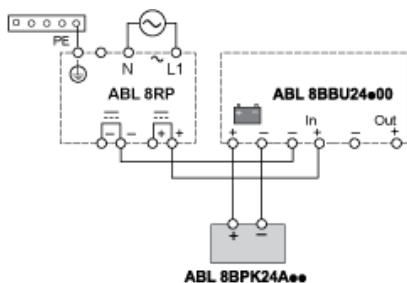
Wiring Requirements

Cable Types and Wire Sizes

<p> $\varnothing \leq 4 \text{ mm}^2$ $\varnothing \leq 12 \text{ AWG}$ </p>	<p> $\varnothing > 4 \text{ mm}^2$ $\varnothing > 12 \text{ AWG}$ </p>	ABL 8BPK24A00 6 / 10	ABL 8BPK24A03 10 / 6
<p>$\varnothing 5,5 \text{ mm} / 0,22 \text{ in}$</p>	<p> Nm 1,7 Nm max lb-in 15 </p>		

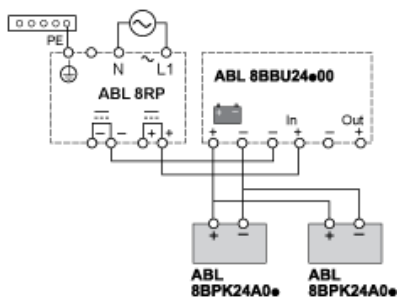
24 Vdc Battery Module Wiring

Wiring Diagram



Paralleling 2 x ABL8PK24A00

Wiring Diagram



X-ON Electronics

Largest Supplier of Electrical and Electronic Components

Click to view similar products for [DIN Rail Power Supplies](#) category:

Click to view products by [Schneider](#) manufacturer:

Other Similar products are found below :

[PS-S6024](#) [DVP01PU-S](#) [DVP06AD-S](#) [DVP06XA-S](#) [DVDPNET-SL](#) [DVPDT01-S](#) [DVPPS01](#) [PS-6012](#) [PS9Z-5R1G](#) [PS-C24024](#)
[DVP08ST11N](#) [DVPACAB530](#) [DVPCOPM-SL](#) [DVPEN01-SL](#) [DVPPF01-S](#) [ADNB008-48-1PM-C](#) [ADNB017-24-1PM-C](#) [ADNB040-24-1PM-C](#) [ADNB034-12-1PM-C](#) [SS14011524](#) [PS-UPS40](#) [PSC-6024](#) [PSD-A60W12](#) [96PS-A120WDIN](#) [PSD-A60W48](#) [PSD-A40W12](#) [PSD-A40W24](#) [SMP21-L20-DC24V-5A](#) [PSD-A40W48](#) [S8T-DCBU-02](#) [PS-S4024](#) [NTPS-24-1.3](#) [PST-96024](#) [S82YVSC4P](#) [PS-S4005](#) [PS-10024](#)
[PS-S10024](#) [PS-C12024](#) [PSP-480S24](#) [PS-C48024](#) [PSC-2024](#) [PSC-4012](#) [PSC-4048](#) [PSC-9615](#) [PSC-15124](#) [PSC-15148](#) [PSC-24148](#) [PSC-48148](#) [TRIO-PS-2G/1AC/12DC/5/C2LP](#) [QUINT4-PS/1AC/12DC/15](#)