

Product availability: Non-Stock - Not normally stocked in distribution facility



## Main

Range of product	Phaseo Universal
Product or component type	Converter module
Rated power in W	30 W
Input voltage	24...28.8 V DC
Output voltage	5 V DC
Power supply output current	6 A

## Complementary

Input voltage limits	22...30 V
Efficiency	80 %
Power dissipation in W	7 W
Input protection type	Against reverse polarity
Output voltage limits	5...6.5 V
Line and load regulation	1...3 %
Residual ripple	<= 100 mV
Output protection type	Against overload, protection technology: automatic reset Against overvoltage, protection technology: tripping if U > 7.8 V, automatic reset Against short-circuits, protection technology: automatic reset
Connections - terminals	Screw type terminals input connection, connection capacity: 2 x 0.5...2 x 4 mm <sup>2</sup> AWG 24...AWG 10 Screw type terminals output connection, connection capacity: 2 x 0.5...2 x 4 mm <sup>2</sup> AWG 24...AWG 10
Fixing mode	By clips on 35 mm symmetrical DIN rail, operating position: horizontal with derating to 40 % By clips on 35 mm symmetrical DIN rail, operating position: vertical
Operating altitude	6561.68 ft (2000 m)
Name of test	Conducted/Radiated emissions conforming to EN 55022 Class B Electrostatic discharges conforming to EN/IEC 61000-4-2 Emission conforming to EN 61000-6-3 Induced electromagnetic field conforming to EN/IEC 61000-4-6 level 3 Radiated electromagnetic field conforming to EN/IEC 61000-4-3 level 3 Rapid transient conforming to IEC 61000-4-4 level 3 Surge conforming to EN/IEC 61000-4-5 level 2
Local signalling	1 LED green, function: output voltage (> 4 V)
Product weight	0.66 lb(US) (0.3 kg)

## Environment


IP degree of protection	IP20 conforming to EN/IEC 60529
Ambient air temperature for operation	-13...140 °F (-25...60 °C)
Ambient air temperature for storage	-40...185 °F (-40...85 °C)
Relative humidity	0...90 % during operation 0...95 % during storage
Overvoltage category	Class 3
Vibration resistance	(F = 11.9...150 Hz) conforming to EN/IEC 61131-2 (f = 3...11.9 Hz) conforming to EN/IEC 61131-2

Dielectric strength	500 V between input and ground 500 V between input and output 500 V between output and ground
Product certifications	UL EAC CCSAus RCM
Environmental characteristic	EMC conforming to EN 50081-1 EMC conforming to EN 61000-6-3 EMC conforming to EN/IEC 61000-6-2 Safety conforming to EN/IEC 60950-1 Safety conforming to IEC 61204

### Ordering and shipping details

Category	22525 - ABL8 AND ABL7 POWER SUPPLIE
Discount Schedule	CP12
GTIN	00785901707905
Nbr. of units in pkg.	1
Package weight(Lbs)	1.25
Returnability	N
Country of origin	PH

### Offer Sustainability

RoHS (date code: YYWW)	Compliant - since 0501 - Schneider Electric declaration of conformity  Schneider Electric declaration of conformity
REACH	Reference not containing SVHC above the threshold
California proposition 65	WARNING: This product can expose you to chemicals including:
----- Substance 1	Lead and lead compounds, which is known to the State of California to cause cancer and birth defects or other reproductive harm.
----- More information	For more information go to <a href="http://www.p65warnings.ca.gov">www.p65warnings.ca.gov</a>

### Contractual warranty

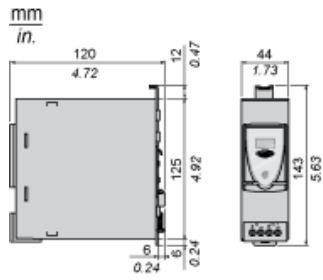
Warranty period	18 months
-----------------	-----------

---

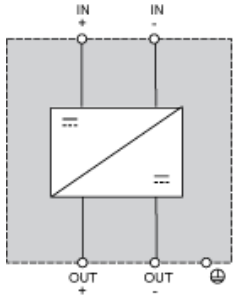
Converter Module

---

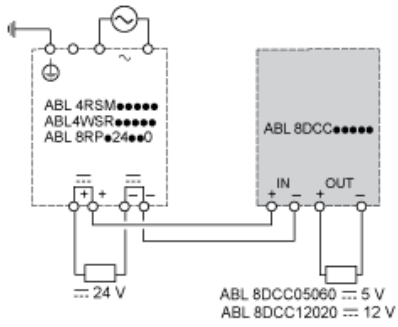
Dimensions



## Internal Wiring Diagram



## Scheme of Use with ABL4 Power Supplies



## X-ON Electronics

Largest Supplier of Electrical and Electronic Components

*Click to view similar products for [DIN Rail Power Supplies](#) category:*

*Click to view products by [Schneider](#) manufacturer:*

Other Similar products are found below :

[PS-S6024](#) [DVP01PU-S](#) [DVP06AD-S](#) [DVP06XA-S](#) [DVDPNET-SL](#) [DVPDT01-S](#) [DVPPS01](#) [PS-6012](#) [PS9Z-5R1G](#) [PS-C24024](#)  
[DVP08ST11N](#) [DVPACAB530](#) [DVPCOPM-SL](#) [DVPEN01-SL](#) [DVPPF01-S](#) [ADNB008-48-1PM-C](#) [ADNB017-24-1PM-C](#) [ADNB034-12-1PM-C](#) [SS14011524](#) [PS-UPS40](#) [PSC-6024](#) [PSD-A60W12](#) [96PS-A120WDIN](#) [PSD-A60W48](#) [PSD-A40W12](#) [PSD-A40W24](#) [SMP21-L20-DC24V-5A](#) [PSD-A40W48](#) [S8T-DCBU-02](#) [PS-S4024](#) [NTPS-24-1.3](#) [ZI-20](#) [PST-96024](#) [S82YVSC4P](#) [PS-S4005](#) [PS-10024](#) [PS-S10024](#) [PS-C12024](#) [PSP-480S24](#) [PS-C48024](#) [PSC-2024](#) [PSC-4012](#) [PSC-4048](#) [PSC-9615](#) [PSC-15124](#) [PSC-15148](#) [PSC-24148](#) [PSC-48148](#) [TRIO-PS-2G/1AC/12DC/5/C2LP](#) [QUINT4-PS/1AC/12DC/15](#)