



### Main

Range of Product	Modicon Power Supply
Product or Component Type	Power supply
Power supply type	Regulated switch mode
Variant option	Optimized
Enclosure Material	Aluminum
Nominal input voltage	100...240 V AC single phase 100...240 V AC 2 phases 140...340 V DC
Rated power in W	480 W
Output voltage	24 V DC
Power supply output current	20 A

### Complementary

Input voltage limits	85...264 V AC without temperature derating) 120...375 V DC without temperature derating) 85...120 V DC with temperature derating) 85...120 V DC
Nominal network frequency	50...60 Hz
Network system compatibility	TN TT IT
Maximum leakage current	1 mA 240 V AC
Input protection type	Integrated fuse (not interchangeable) 10 A External protection (recommended) 20 A Curve C External protection (recommended) 16 A Curve B External protection (recommended) 13 A Curve C
Inrush current	45.0 A 115 V 90.0 A 230 V
Power factor	0.95 at 115 V AC 0.95 at 230 V AC
Efficiency	85 % 115 V AC 88 % 230 V AC
Output voltage adjustment	22...28 V
Power dissipation in W	60 W
Current consumption	< 5.4 A 115 V AC < 2.7 A 230 V AC < 5 A 140 V DC
Turn-on time	< 1.5 s
Holding time	> 20 ms 115 V AC > 20 ms 230 V AC
Startup with capacitive loads	8000 µF
Residual ripple	< 120 mV
Meantime between failure [MTBF]	700000 h at 77 °F (25 °C), full load conforming to SR 332
Output protection type	Against overload and short-circuits automatic reset Against over temperature manual reset Against overvoltage manual reset
Connections - terminals	Screw connection 0.75...4 mm², AWG 20...AWG 12) without wire end ferrule output Screw connection 0.75...4 mm², AWG 20...AWG 14) with wire end ferrule output Screw connection 0.75...4 mm², AWG 18...AWG 12) without wire end ferrule input Screw connection 0.75...4 mm², AWG 18...AWG 12) with wire end ferrule input

The information provided in this documentation contains general descriptions and/or technical characteristics of the performance of the products contained herein. This documentation is not intended as a substitute for and is not to be used for determining suitability or reliability of these products for specific user applications. It is the duty of any such user or integrator to perform the appropriate and complete risk analysis, evaluation and testing of the products with respect to the relevant specific application or use thereof. Neither Schneider Electric Industries SAS nor any of its affiliates or subsidiaries shall be responsible or liable for misuse of the information contained herein.

Line and load regulation	< 0.5 % network 0 to 100 % load at 77 °F (25 °C) < 1 % network full voltage range in line at 77 °F (25 °C)
Status LED	1 LED (Green) output voltage
Depth	5.06 in (128.5 mm)
Height	4.87 in (123.6 mm)
Width	3.37 in (85.5 mm)
Net Weight	2.76 lb(US) (1.25 kg)
Output coupling	Parallel Serial
Mounting support	Top hat type TH35-15 rail IEC 60715 Top hat type TH35-7.5 rail IEC 60715 Double-profile DIN rail
Supply	SELV EN/IEC 60950-1 SELV EN/IEC 60204-1 SELV IEC 60364-4-41
Dielectric strength	3000 V AC with input to output
Service life	10 year(s)

## Environment

Standards	EN 62368-1 EN/IEC 61010-1 EN 61010-2-201 EN/IEC 61204-3 EN 61000-6-1 EN 61000-6-2 EN 61000-6-3 EN 61000-6-4 EN 61000-3-2 EN 61000-3-3 UL 62368-1 UL 61010-1 UL 61010-2-201 CSA C22.2 No 62368-1 CSA C22.2 No 61010-1 CSA C22.2 No 61010-2-201 EN/IEC 62368-1
Product certifications	CE CUL Listed CUL Recognized RCM CB Scheme EAC KC
Environmental characteristic	3M4 IEC 60721-3-3
Operating altitude	< 5000 m
Shock resistance	100 m/s <sup>2</sup> 11 ms
IP degree of protection	IP20
Ambient air temperature for operation	-4...104 °F (-20...40 °C) without derating mounting position A 115 V AC < 6561.68 ft (2000 m) -4...122 °F (-20...50 °C) without derating mounting position A 230 V AC < 6561.68 ft (2000 m) 104...158 °F (40...70 °C) with current derating of 1.67 % per °C mounting position A 115 V AC < 6561.68 ft (2000 m) 122...158 °F (50...70 °C) with current derating of 2.5 % per °C mounting position A 230 V AC < 6561.68 ft (2000 m)
Electrical shock protection class	Class I
Pollution degree	2
Vibration resistance	3 mm 2...9 Hz)IEC 60068-2-6 10 m/s <sup>2</sup> 9...200 Hz)IEC 60068-2-6

Electromagnetic immunity	Immunity to electrostatic discharge 6 kV contact discharge) EN/IEC 61000-4-2 Immunity to electrostatic discharge 9 kV air discharge) EN/IEC 61000-4-2 Immunity to conducted RF disturbances 10 V/m 80 MHz...2 GHz) EN/IEC 61000-4-3 Immunity to conducted RF disturbances 5 V/m 2...2.7 GHz) EN/IEC 61000-4-3 Immunity to conducted RF disturbances 3 V/m 2.7...6 GHz) EN/IEC 61000-4-3 Immunity to fast transients 4 kV on input-output) EN/IEC 61000-4-4 Surge immunity test 3 kV between power supply and earth) EN/IEC 61000-4-5 Surge immunity test 1.5 kV between phases) EN/IEC 61000-4-5 Immunity to conducted RF disturbances 10 V 0.15...80 MHz) EN/IEC 61000-4-6 Immunity to magnetic fields 30 A/m 50...60 Hz) EN/IEC 61000-4-8 Immunity to voltage dips EN/IEC 61000-4-11 Disturbing field emission EN 55016-2-3 Limits for harmonic current emissions EN 61000-3-2 Conducted disturbance emission EN 55016-1-2 Conducted disturbance emission EN 55016-2-1
Electromagnetic emission	Conducted emissions EN 61000-6-3 Radiated emissions EN 61000-6-4

## Ordering and shipping details

Category	22525-ABL8 AND ABL7 POWER SUPPLIE
Discount Schedule	CP12
GTIN	3606481500267
Returnability	Yes
Country of origin	TH

## Packing Units

Unit Type of Package 1	PCE
Number of Units in Package 1	1
Package 1 Height	3.74 in (9.5 cm)
Package 1 Width	6.89 in (17.5 cm)
Package 1 Length	7.09 in (18.0 cm)
Package 1 Weight	3.13 lb(US) (1.419 kg)
Unit Type of Package 2	S03
Number of Units in Package 2	7
Package 2 Height	11.81 in (30 cm)
Package 2 Width	11.81 in (30 cm)
Package 2 Length	15.75 in (40 cm)
Package 2 Weight	23.19 lb(US) (10.517 kg)

## Offer Sustainability

Sustainable offer status	Green Premium product
California proposition 65	WARNING: This product can expose you to chemicals including: Lead and lead compounds, which is known to the State of California to cause cancer and birth defects or other reproductive harm. For more information go to <a href="http://www.P65Warnings.ca.gov">www.P65Warnings.ca.gov</a>
REACH Regulation	<a href="#">REACH Declaration</a>
EU RoHS Directive	Pro-active compliance (Product out of EU RoHS legal scope) <a href="#">EU RoHS Declaration</a>
Mercury free	Yes
China RoHS Regulation	<a href="#">China RoHS Declaration</a>
RoHS exemption information	<a href="#">Yes</a>
Environmental Disclosure	<a href="#">Product Environmental Profile</a>
Circularity Profile	<a href="#">End Of Life Information</a>
WEEE	The product must be disposed on European Union markets following specific waste collection and never end up in rubbish bins.

---

## Electrical Safety

---

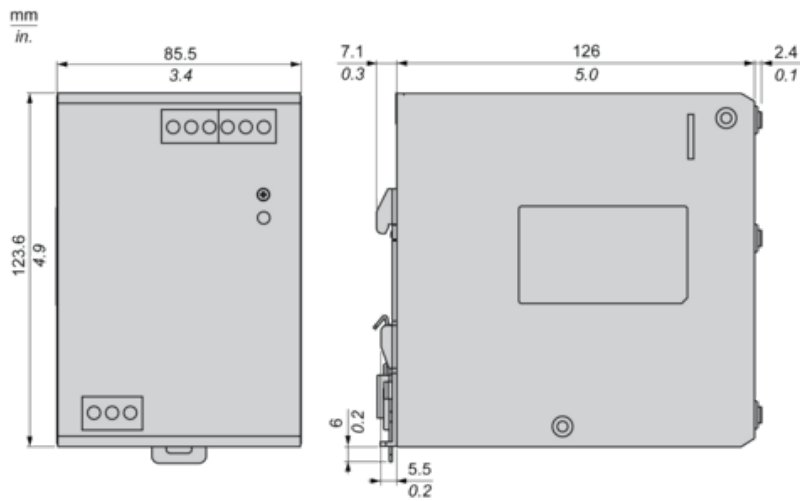
- If the unit is use in a manner not specified by the manufacturer, the protection provided by the equipment may be impaired.
- For means of disconnection a switch or circuit breaker, located near the product, must be included in the installation. A marking as disconnecting device for the product is required.
- The device has an internal fuse. The unit is tested and approved with branch circuit protective device up to 20A. This circuit breaker can be used as disconnecting device.
- The power supply is only suitable for audio, video, information, communication, industrial and control equipment.

---

## Dimensions

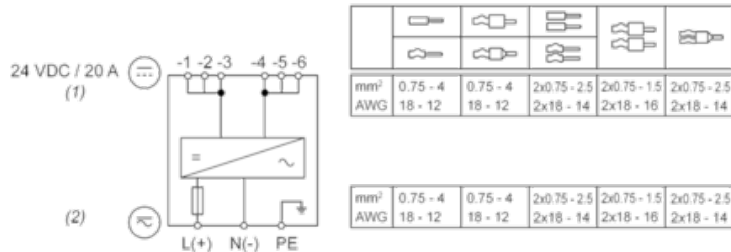
---

### Front and Side Views



Connections and Schema

Wiring

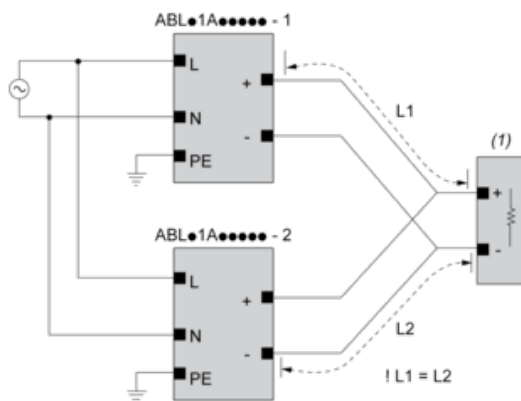


(1) : Output wiring

(2) : Input wiring

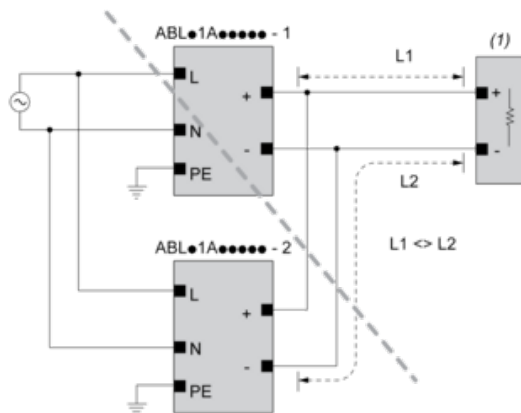
This is only the terminal wire rating. The wire size to be used in the application must be selected by the machine builder according to the ambient temperature, the wiring method and the end-use product standard. The unit has been tested and approved with input wire (80°C) and output wire 1 x 12AWG (95°C) or 3 x 18 AWG copper wire.

Correct Parallel Connection



(1) : Load

Incorrect Parallel Connection



(1) : Load

ABLx1Axxxx-1 = ABLx1Axxxx-2

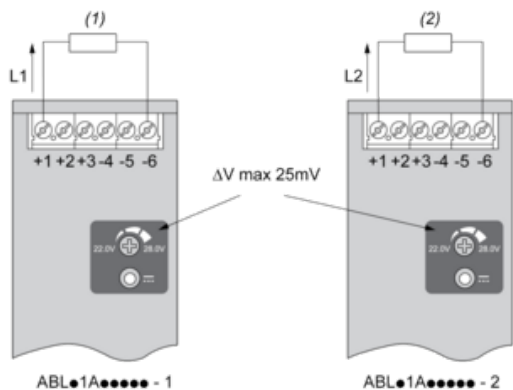
max 2 x ABLx1Axxxx

L1 = L2

$\Delta V$  max 25 mV

$L_{Load} < 90\% \cdot 2 \times L_{nom}$

## Output Voltage Balancing



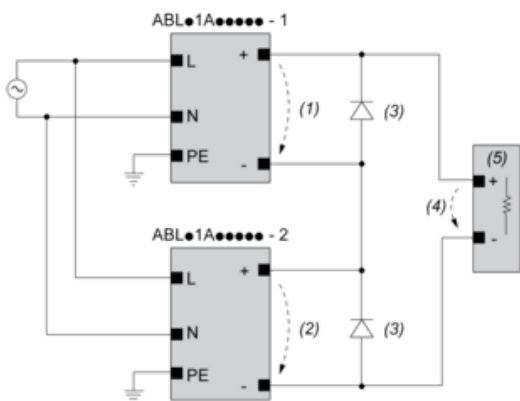
(1) :  $R_{Load1}$

(2) :  $R_{Load2}$

$R_{Load1} = R_{Load2}$

$I_1 = I_2 = \sim I_{nom}$

## Series Connection



(1) :  $V_{out1}$

(2) :  $V_{out2}$

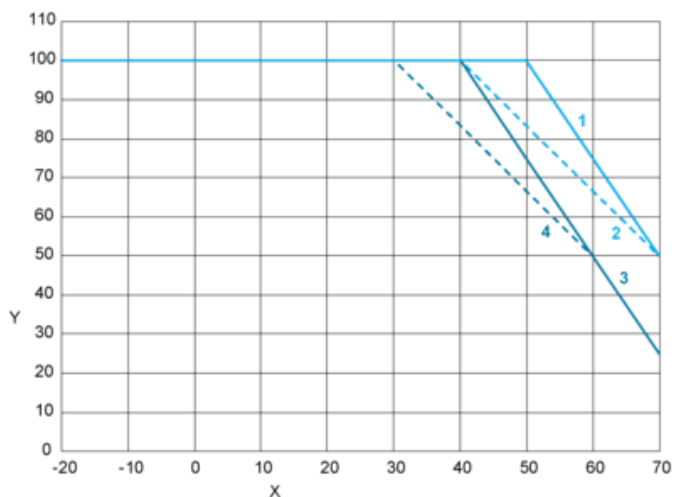
(3) : 2 x Diode,  $V_{RRM} > 2 \times V_{out1/2}$ ,  $I_F > 2 \times I_{nom1/2}$

(4) :  $V_{Load} = 2 \times V_{out}$

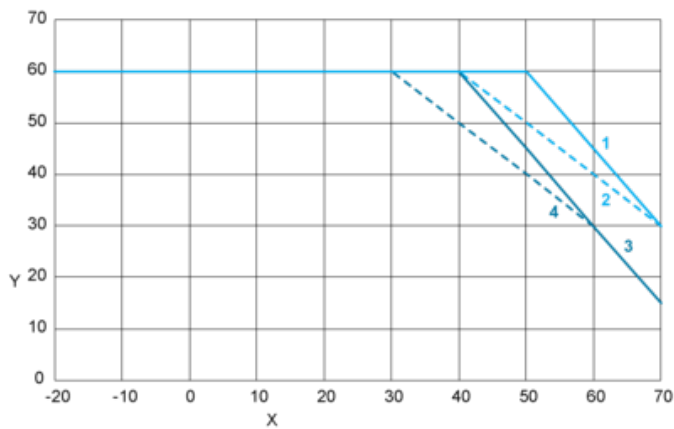
(5) : Load

Performance Curve

Mounting Position A



Mounting Position B



X : Surrounding Air Temperature

Y : Percentage of Max Load (%)

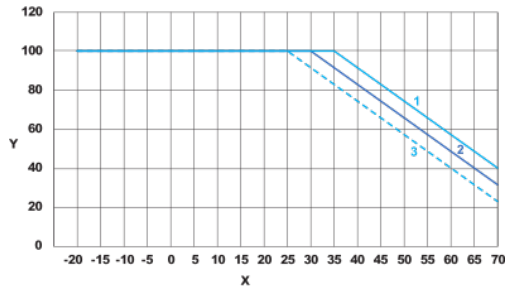
1 : Altitude 2000m, Input voltage = 230 VAC / 325 VDC

2 : Altitude 2000m, 115 VAC / 162 VDC

3 : Altitude 5000m, Input voltage = 230 VAC / 325 VDC

4 : Altitude 5000m, 115 VAC / 162 VDC

DC input voltage



X : Surrounding Air Temperature

Y : Percentage of Maximum Load (%)

1 : 110 VDC

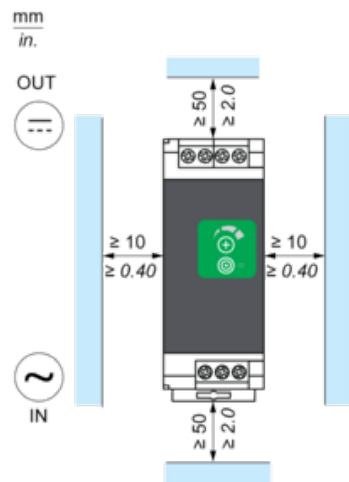
2 : 90 VDC

3 : 85 VDC

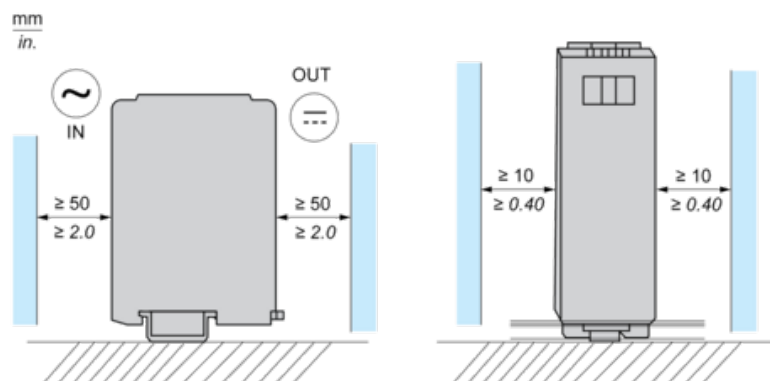


Mounting

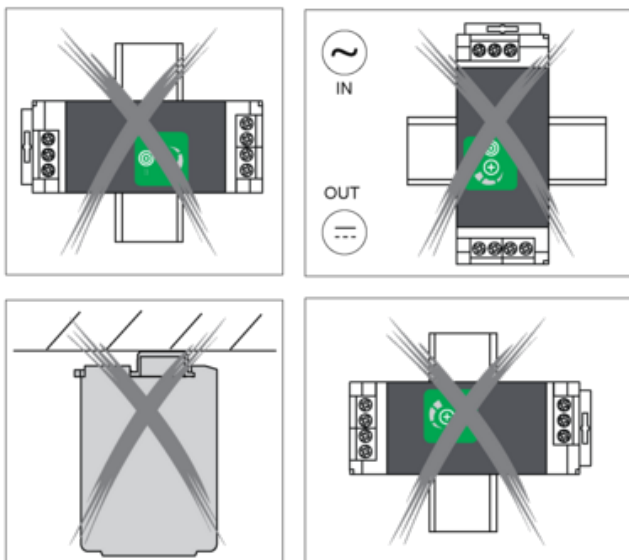
Mounting Position A



Mounting Position B



Incorrect Mounting



## X-ON Electronics

Largest Supplier of Electrical and Electronic Components

*Click to view similar products for [DIN Rail Power Supplies](#) category:*

*Click to view products by [Schneider](#) manufacturer:*

Other Similar products are found below :

[PS-3015](#) [DVP01PU-S](#) [DVP06AD-S](#) [DVPPS02](#) [PS9Z-5R1G](#) [PS-C24024](#) [ADNB040-24-1PM-C](#) [SS14011524](#) [PSW-12024](#) [S8T-BUS03](#) [PS-S4024](#) [NTPS-24-1.3](#) [PS-10024](#) [PS-C12024](#) [PSP-480S24](#) [PS-C48024](#) [PS-C480P24](#) [PSC-2024](#) [PSC-4012](#) [PSC-4048](#) [PSC-9615](#) [PSC-15124](#) [PSC-15148](#) [PSC-24148](#) [PSC-48148](#) [PSS18/24/0.75](#) [PSS120/24/5](#) [PSD-A120W12](#) [NDR-7524](#) [NDR-12024](#) [AMED15-48SNZ-B](#) [AMED15-5SNZ-B](#) [AMED120-48SJZ](#) [AMED120-24SJZ](#) [AMED15-24SNZ-B](#) [AMED75-48SJZ](#) [1SVR427043R1200](#) [1110466](#) [50995](#) [50903](#) [50997](#)  
[EL50-D](#) [18924-9989](#) [50996](#) [HDN-3024](#) [ISEDR-120-24](#) [1335699](#) [1335698](#) [LWR1601-6ER](#) [1170952](#)