

Product data sheet

Specifications



Regenerative unit - 15 kW - for Altivar variable speed drive

ATVRD15N4

Main

Range of product	Altivar
Product or component type	Power module
Device short name	ATVR
Device application	Energy regeneration

Complementary

Range compatibility	Altivar Machine ATV340 Altivar Machine ATV320 Altivar Process ATV900
Fixing mode	By screws
[Us] rated supply voltage	380...500 V - 15...10 %
Network number of phases	3 phases
Network frequency	45...65 Hz
Rated power	13.5 kW
DC bus operating voltage	456...778 V DC
DC bus voltage limits	300...880 V DC
Input power	13.5 kW at 380...500 V AC for voltage inputs (continuous) 20.3 kW at 380...500 V AC for voltage inputs (transient for 60 s)
Input current	31.8 A at 380 V AC for voltage inputs (continuous) 27.9 A at 500 V AC for voltage inputs (continuous) 43.1 A at 380 V AC for voltage inputs (transient for 60 s) 36.3 A at 500 V AC for voltage inputs (transient for 60 s)
Output current	25.9 A at 380 V AC (continuous) 23.2 A at 500 V AC (continuous) 36.5 A at 380 V AC (transient for 60 s) 29.7 A at 500 V AC (transient for 60 s)
Electrical connection	Control: removable screw terminal block: 0.5...1.5 mm ² , AWG 20...AWG 16 (bottom) Power supply: removable screw terminal block: 6 mm ² , AWG 8 (top) DC bus: removable screw terminal block: 6 mm ² , AWG 8 (bottom)
Maximum voltage drop at rated load	3 %
Operating position	Vertical or horizontal position
Height	399 mm
Width	105 mm
Depth	235 mm
Net weight	11.5 kg

Type of cooling	Fan
-----------------	-----

Environment

Environmental characteristic	Chemical pollution resistance class 3C3 conforming to EN/IEC 60721-3-3 Dust pollution resistance class 3S2 conforming to EN/IEC 60721-3-3
Ambient air temperature for operation	-10...50 °C without derating 50...60 °C with derating factor
Ambient air temperature for storage	-40...70 °C
Operating altitude	<= 1000 m without derating 1000...3000 m with power derating 1 % per 100 m
Pollution degree	2 conforming to EN/IEC 61800-5-1
IP degree of protection	IP20
Standards	IEC 61800-3 IEC 61800-5-1
Product certifications	cUL

Packing Units

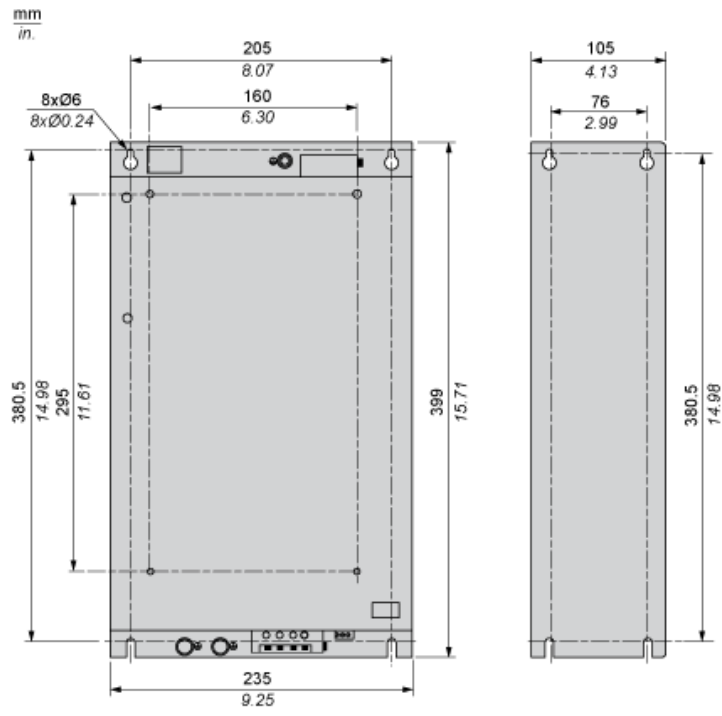
Unit Type of Package 1	PCE
Number of Units in Package 1	1
Package 1 Weight	13.565 kg
Package 1 Height	21 cm
Package 1 width	32 cm
Package 1 Length	61 cm
Unit Type of Package 2	P06
Number of Units in Package 2	4
Package 2 Weight	67.26 kg
Package 2 Height	73.5 cm
Package 2 width	60 cm
Package 2 Length	80 cm

Offer Sustainability

Sustainable offer status	Green Premium product
REACH Regulation	REACH Declaration
EU RoHS Directive	Pro-active compliance (Product out of EU RoHS legal scope) EU RoHS Declaration
Mercury free	Yes
RoHS exemption information	Yes
China RoHS Regulation	China RoHS declaration
Environmental Disclosure	Product Environmental Profile
Circularity Profile	End of Life Information
WEEE	The product must be disposed on European Union markets following specific waste collection and never end up in rubbish bins
California proposition 65	WARNING: This product can expose you to chemicals including: Lead and lead compounds, which is known to the State of California to cause cancer and birth defects or other reproductive harm. For more information go to www.P65Warnings.ca.gov

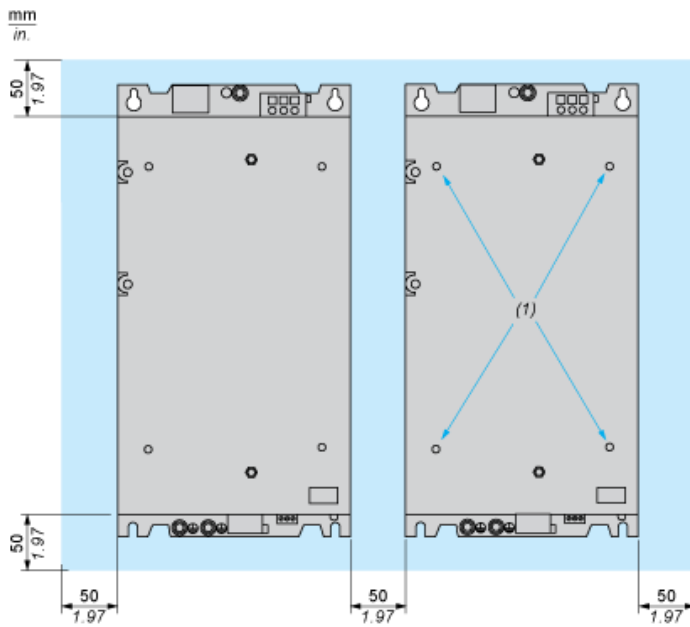
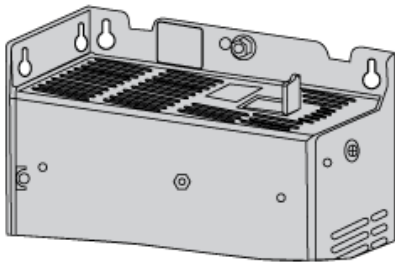
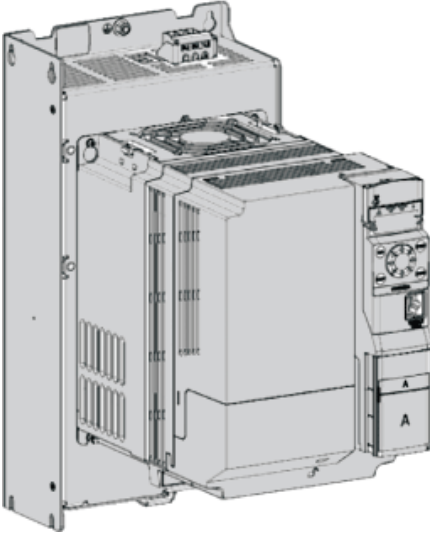
Dimensions

Front and Side Views

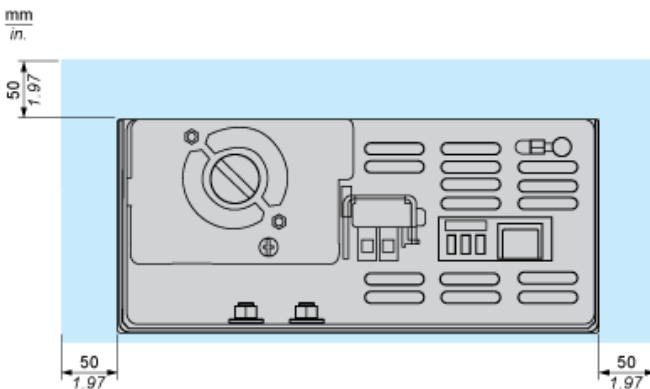


Mounting Recommendations

Vertical Flat Mounting

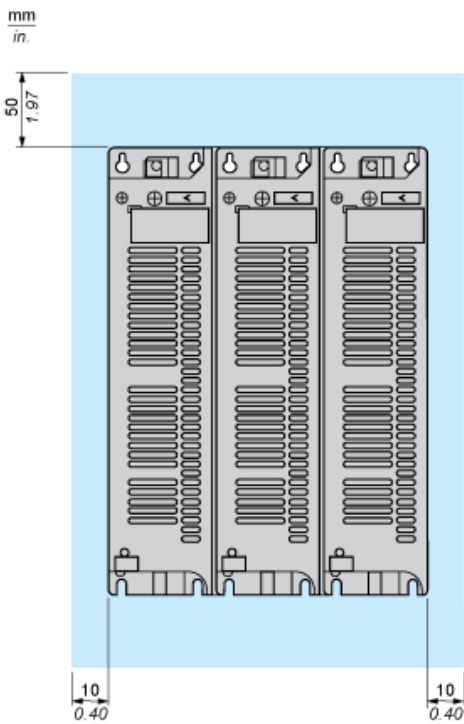
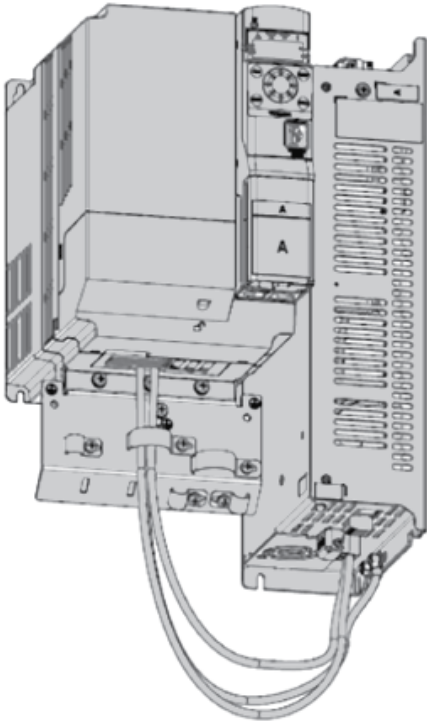


(1) : Fixing holes for ATV320



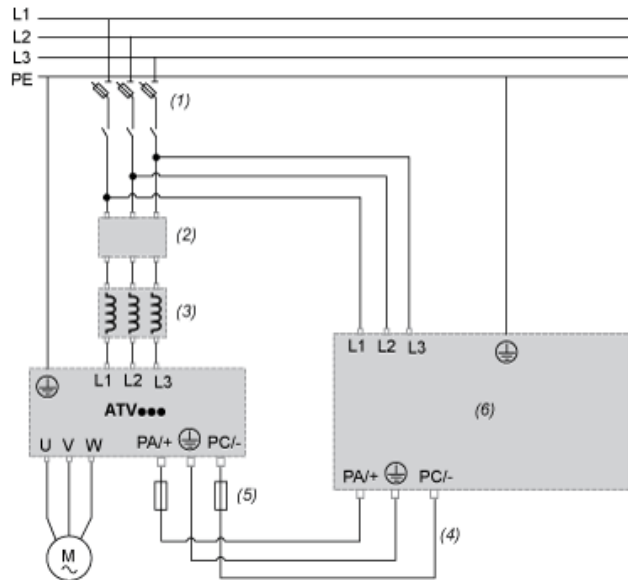
Mounting Recommendations

Side by Side Mounting



Wiring Diagram

Drive and Regenerative Unit



- (1) : AC protection fuses
- (2) : Optional additional EMC input Filter (see drive catalog)
- (3) : Optional AC Choke (see drive catalog)
- (4) : DC bus link
- (5) : DC protection fuses
- (6) : Altivar Regenerative Unit

X-ON Electronics

Largest Supplier of Electrical and Electronic Components

Click to view similar products for [Motor Drives](#) category:

Click to view products by [Schneider](#) manufacturer:

Other Similar products are found below :

[GMA02](#) [R7DBP02L](#) [1300920283](#) [ST10-S](#) [GMA11](#) [GMA20](#) [R88DUA03LAAC100V30W](#) [R88DUA12HA](#) [R88DUP03LAAC100V30W](#)
[STR2](#) [VX5A1400](#) [VFD002EL11A](#) [MFMCB0030GET](#) [MFECA0030EAM](#) [1302263150](#) [1300920078](#) [R88D-GT04H](#) [R88D-GN04H-ML2](#)
[R7D-BP01H](#) [R88D-KN04L-ECT](#) [70354063](#) [79294435](#) [27358015](#) [15275008](#) [ST5-Q-EN](#) [1SFA896103R1100](#) [1SFA896103R7000](#)
[1SFA896112R1100](#) [R88D-GP08H](#) [GNCF8-11](#) [KLC35BE](#) [ST10-Q-RN](#) [1302263161](#) [SV2D10-Q-AE](#) [VX5A1300](#) [R88A-CA1C005SF-E](#)
[R88A-CR1B005NF-E](#) [SEH 71-4B](#) [U-PKZ0\(400V50HZ\)](#) [LUCC12BL](#) [LUCC12FU](#) [LU9BN11L](#) [LULC08](#) [GV2P01](#)
[UDS1UR6M50CANCZ183](#) [LC1D09M7](#) [103H7126-1740](#) [103H7823-1741](#) [111.3761.20.00E](#) [111.3761.30.00E](#)