

# Product data sheet

Specifications



## Regenerative unit - 7,5 kW - for Altivar variable speed drive

ATVRU75N4

### Main

Range of product	Altivar
Product or component type	Power module
Device short name	ATVR
Device application	Energy regeneration

### Complementary

Range compatibility	Altivar Machine ATV340 Altivar Process ATV900 Altivar Machine ATV320
Fixing mode	By screws
[Us] rated supply voltage	380...500 V - 15...10 %
Network number of phases	3 phases
Network frequency	45...65 Hz
Rated power	6.8 kW
DC bus operating voltage	456...778 V DC
DC bus voltage limits	300...880 V DC
Input power	6.8 kW at 380...500 V AC for voltage inputs (continuous) 10.2 kW at 380...500 V AC for voltage inputs (transient for 60 s)
Input current	16.5 A at 380 V AC for voltage inputs (continuous) 14.5 A at 500 V AC for voltage inputs (continuous) 22.9 A at 380 V AC for voltage inputs (transient for 60 s) 19.1 A at 500 V AC for voltage inputs (transient for 60 s)
Output current	13.4 A at 380 V AC (continuous) 11.9 A at 500 V AC (continuous) 18.4 A at 380 V AC (transient for 60 s) 15.4 A at 500 V AC (transient for 60 s)
Electrical connection	Control: removable screw terminal block: 0.5...1.5 mm <sup>2</sup> , AWG 20...AWG 16 (bottom) Power supply: removable screw terminal block: 2.5...4 mm <sup>2</sup> , AWG 12...AWG 10 (top) DC bus: removable screw terminal block: 2.5...4 mm <sup>2</sup> , AWG 12...AWG 10 (bottom)
Maximum voltage drop at rated load	3 %
Operating position	Vertical or horizontal position
Height	337 mm
Width	80 mm
Depth	175 mm
Net weight	6 kg

Type of cooling	Fan
-----------------	-----

## Environment

Environmental characteristic	Chemical pollution resistance class 3C3 conforming to EN/IEC 60721-3-3 Dust pollution resistance class 3S2 conforming to EN/IEC 60721-3-3
Ambient air temperature for operation	-10...50 °C without derating 50...60 °C with derating factor
Ambient air temperature for storage	-40...70 °C
Operating altitude	<= 1000 m without derating 1000...3000 m with power derating 1 % per 100 m
Pollution degree	2 conforming to EN/IEC 61800-5-1
IP degree of protection	IP20
Standards	IEC 61800-5-1 IEC 61800-3
Product certifications	cUL

## Packing Units

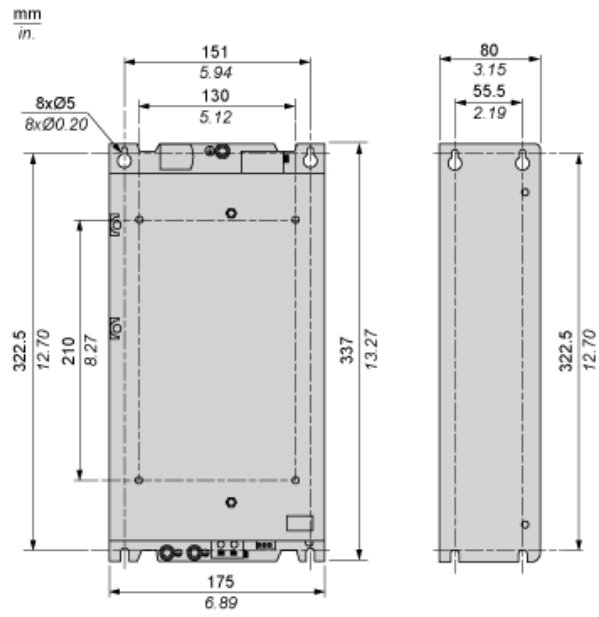
Unit Type of Package 1	PCE
Number of Units in Package 1	1
Package 1 Weight	7.51 kg
Package 1 Height	20 cm
Package 1 width	25.8 cm
Package 1 Length	51.5 cm
Unit Type of Package 2	P06
Number of Units in Package 2	6
Package 2 Weight	58.06 kg
Package 2 Height	73.5 cm
Package 2 width	60 cm
Package 2 Length	80 cm

## Offer Sustainability

Sustainable offer status	Green Premium product
REACH Regulation	<a href="#">REACH Declaration</a>
EU RoHS Directive	Pro-active compliance (Product out of EU RoHS legal scope) <a href="#">EU RoHS Declaration</a>
Mercury free	Yes
RoHS exemption information	<a href="#">Yes</a>
China RoHS Regulation	<a href="#">China RoHS declaration</a>
Environmental Disclosure	<a href="#">Product Environmental Profile</a>
Circularity Profile	<a href="#">End of Life Information</a>
WEEE	The product must be disposed on European Union markets following specific waste collection and never end up in rubbish bins
California proposition 65	WARNING: This product can expose you to chemicals including: Lead and lead compounds, which is known to the State of California to cause cancer and birth defects or other reproductive harm. For more information go to <a href="http://www.P65Warnings.ca.gov">www.P65Warnings.ca.gov</a>

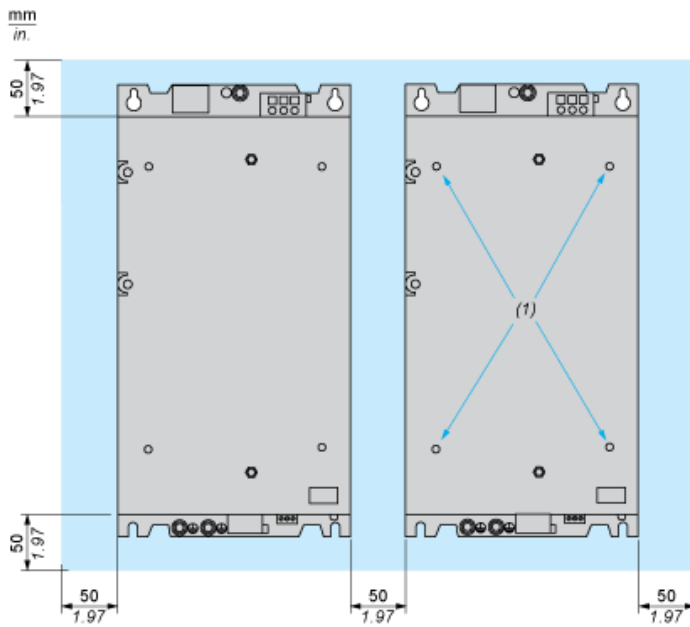
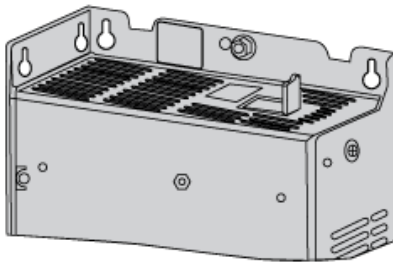
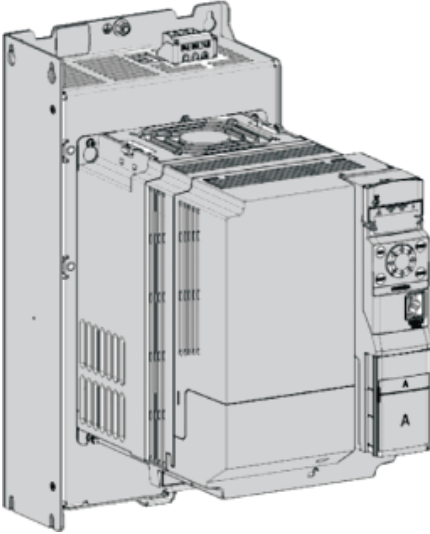
## Dimensions

### Front and Side Views

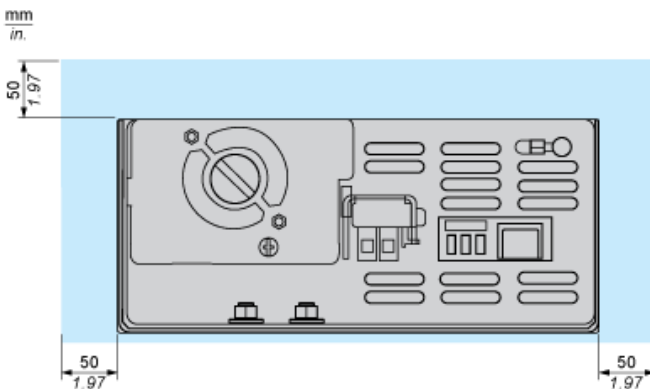


## Mounting Recommendations

### Vertical Flat Mounting



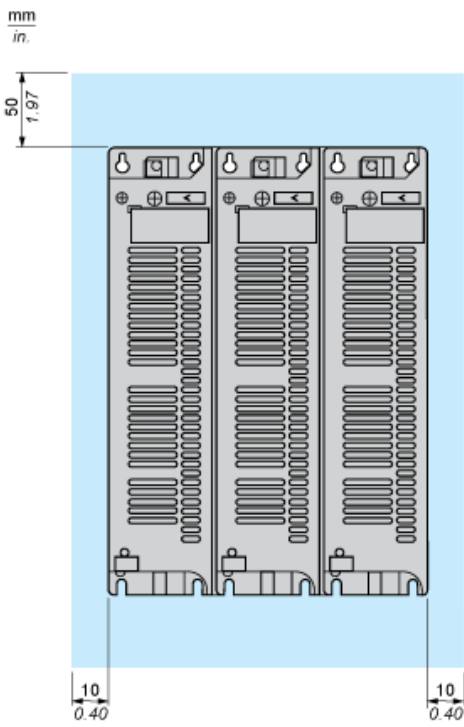
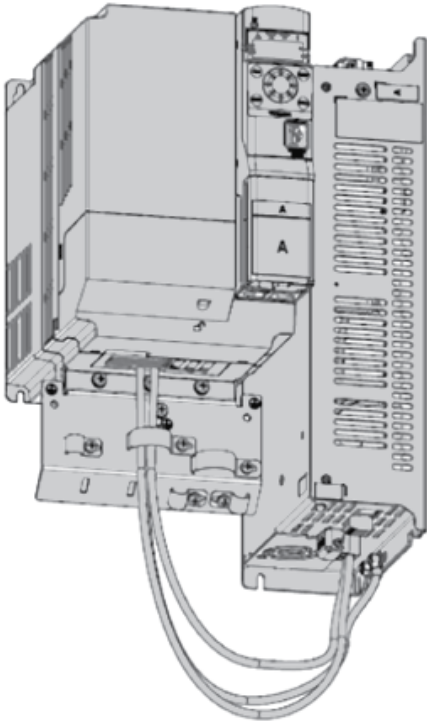
(1) : Fixing holes for ATV320



**Mounting Recommendations**

---

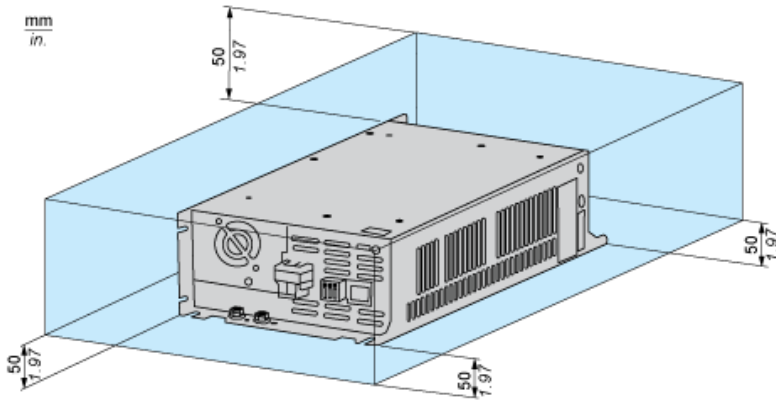
**Side by Side Mounting**



**Mounting Recommendations**

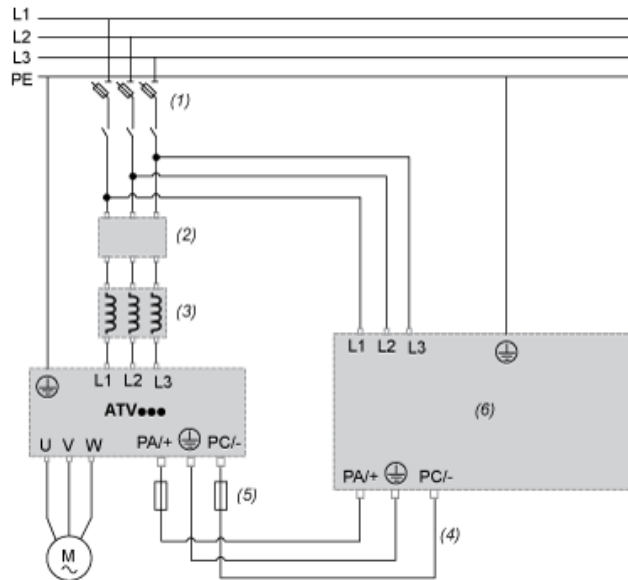
---

**Horizontal Flat Mounting**



## Wiring Diagram

### Drive and Regenerative Unit



- (1) : AC protection fuses
- (2) : Optional additional EMC input Filter (see drive catalog)
- (3) : Optional AC Choke (see drive catalog)
- (4) : DC bus link
- (5) : DC protection fuses
- (6) : AltiVar Regenerative Unit

## X-ON Electronics

Largest Supplier of Electrical and Electronic Components

*Click to view similar products for [Motor Drives](#) category:*

*Click to view products by [Schneider](#) manufacturer:*

Other Similar products are found below :

[GMA02](#) [R7DBP02L](#) [1300920283](#) [ST10-S](#) [GMA11](#) [GMA20](#) [R88DUA03LAAC100V30W](#) [R88DUA12HA](#) [R88DUP03LAAC100V30W](#)  
[STR2](#) [VX5A1400](#) [VFD002EL11A](#) [MFMCB0030GET](#) [MFECA0030EAM](#) [1302263150](#) [1300920078](#) [R88D-GT04H](#) [R88D-GN04H-ML2](#)  
[R7D-BP01H](#) [R88D-KN04L-ECT](#) [70354063](#) [79294435](#) [27358015](#) [15275008](#) [ST5-Q-EN](#) [1SFA896103R1100](#) [1SFA896103R7000](#)  
[1SFA896112R1100](#) [R88D-GP08H](#) [GNCF8-11](#) [KLC35BE](#) [ST10-Q-RN](#) [1302263161](#) [SV2D10-Q-AE](#) [VX5A1300](#) [R88A-CA1C005SF-E](#)  
[R88A-CR1B005NF-E](#) [SEH 71-4B](#) [U-PKZ0\(400V50HZ\)](#) [LUCC12BL](#) [LUCC12FU](#) [LU9BN11L](#) [LULC08](#) [GV2P01](#)  
[UDS1UR6M50CANCZ183](#) [LC1D09M7](#) [103H7126-1740](#) [103H7823-1741](#) [111.3761.20.00E](#) [111.3761.30.00E](#)