

TeSys GV2

0.06 to 15 kW



Circuit
breakers

TeSys

TeSys GV2L Magnetic circuit breakers

Product references



GV2L16



Circuit breakers

Motor circuit breakers from 0.09 to 15 kW

GV2L: Control by rotary knob, connection by screw clamp terminals

Standard power ratings of 3-phase motors 50/60 Hz in category AC-3									Magnetic protection rating	Tripping current I _d ± 20 %	Use in association with thermal overload relay (class 10 A)	Reference
400/415 V			500 V			690 V						
P	I _{cu}	I _{cs} ⁽¹⁾	P	I _{cu}	I _{cs} ⁽¹⁾	P	I _{cu}	I _{cs} ⁽¹⁾				
kW	kA		kW	kA		kW	kA		A	A		
0.09	*	*	-	-	-	-	-	-	0.4	5	LRD03	GV2L03
0.12	*	*	-	-	-	0.37	*	*	0.63	8	LRD04	GV2L04
0.18	*	*	-	-	-	-	-	-	0.63	8	LRD04	GV2L04
-	-	-	-	-	-	0.55	*	*	1	13	LRD05	GV2L05
0.25	*	*	-	-	-	-	-	-	1	13	LRD05	GV2L05
-	-	-	-	-	-	0.75	*	*	1	13	LRD06	GV2L05
0.37	*	*	0.37	*	*	-	-	-	1	13	LRD06	GV2L05
0.55	*	*	0.55	*	*	1.1	*	*	1.6	22.5	LRD06	GV2L06
-	-	-	0.75	*	*	-	-	-	1.6	22.5	LRD06	GV2L06
0.75	*	*	1.1	*	*	1.5	4	100	2.5	33.5	LRD07	GV2L07
1.1	-	-	-	-	-	-	-	-	-	-	LRD08	GV2L08
1.5	*	*	1.5	*	*	3	4	100	4	51	LRD08	GV2L08
-	-	-	-	-	-	-	-	-	-	-	LRD08	GV2L08
2.2	*	*	3	*	*	4	4	100	6.3	78	LRD10	GV2L10
3	*	*	4	10	100	5.5	4	100	10	138	LRD12	GV2L14
4	-	-	-	-	-	-	-	-	-	-	LRD14	GV2L14
-	-	-	-	-	-	7.5	4	100	10	138	LRD14	GV2L14
-	-	-	-	-	-	9	4	100	14	170	LRD16	GV2L16
5.5	50	50	7.5	10	75	11	4	100	14	170	LRD16	GV2L16
7.5	50	50	9	10	75	15	4	100	18	223	LRD21	GV2L20
9	50	50	11	10	75	18.5	4	100	25	327	LRD22	GV2L22
11	50	50	15	10	75	-	-	-	25	327	LRD22	GV2L22
15	50	50	18.5	10	75	22	4	100	32	416	LRD32	GV2L32

(1) As % of I_{cu}. Associated current limiter or fuses, where required.

* > 100 kA.

TeSys

TeSys GV2LE Magnetic circuit breakers

Product references

PB111676.eps



GV2L

Magnetic motor circuit breakers from 0.06 to 15 kW												
GV2LE: control by rocker lever, connection by screw clamp terminals												
Standard power ratings of 3-phase motors 50/60 Hz in category AC-3									Magnetic protection rating	Tripping current I _d ± 20 %	Use in association with thermal overload relay	Reference
400/415 V			500 V			690 V						
P	I _{cu}	I _{cs} ⁽¹⁾	P	I _{cu}	I _{cs} ⁽¹⁾	P	I _{cu}	I _{cs} ⁽¹⁾	A	A		
kW	kA		kW	kA		kW	kA		A	A		
0.06	*	*	-	-	-	-	-	-	0.4	5	LR2K0302	GV2LE03
0.09	*	*	-	-	-	-	-	-	0.4	5	LR2K0304	GV2LE03
0.12	*	*	-	-	-	0.37	*	*	0.63	8	LR2K0304	GV2LE04
0.18	*	*	-	-	-	-	-	-	0.63	8	LR2K0305	GV2LE04
-	-	-	-	-	-	0.55	*	*	1	13	LR2K0305	GV2LE05
0.25	*	*	-	-	-	-	-	-	1	13	LR2K0306	GV2LE05
-	-	-	-	-	-	0.75	*	*	1	13	LR2K0306	GV2LE05
0.37	*	*	0.37	*	*	-	-	-	1	13	LR2K0306	GV2LE05
0.55	*	*	0.55	*	*	1.1	*	*	1.6	22.5	LR2K0307	GV2LE06
-	-	-	0.75	*	*	-	-	-	1.6	22.5	LR2K0307	GV2LE06
0.75	*	*	1.1	*	*	1.5	3	75	2.5	33.5	LR2K0308	GV2LE07
1.1	*	*	-	-	-	-	-	-	2.5	33.5	LR2K0308	GV2LE07
1.5	*	*	1.5	*	*	3	3	75	4	51	LR2K0310	GV2LE08
-	-	-	2.2	*	*	-	-	-	4	51	LR2K0312	GV2LE08
2.2	*	*	3	50	100	4	3	75	6.3	78	LR2K0312	GV2LE10
3	*	*	4	10	100	5.5	3	75	10	138	LR2K0314	GV2LE14
4	*	*	5.5	10	100	-	-	-	10	138	LR2K0316	GV2LE14
-	-	-	-	-	-	7.5	3	75	10	138	LRD14	GV2LE14
-	-	-	-	-	-	9	3	75	14	170	LRD16	GV2LE16
5.5	15	50	7.5	6	75	11	3	75	14	170	LR2K0321	GV2LE16
7.5	15	50	9	6	75	15	3	75	18	223	LRD21	GV2LE20
9	15	40	11	4	75	18.5	3	75	25	327	LRD22	GV2LE22
11	15	40	15	4	75	-	-	-	25	327	LRD22	GV2LE22
15	10	50	18.5	4	75	22	3	75	32	416	LRD32	GV2LE32

⁽¹⁾ As % of I_{cu}.

* > 100 kA.



Circuit
breakers

TeSys

TeSys GV2ME Thermal-magnetic circuit breakers

Product references



GV2ME

Motor circuit breakers from 0.06 to 15 kW / 400 V, with screw clamp terminals

GV2ME with pushbutton control											
Standard power ratings of 3-phase motors 50/60 Hz in category AC-3									Setting range of thermal trips (2)	Magnetic tripping current I _d ± 20 %	Reference
400/415 V			500 V			690 V					
P	I _{cu}	I _{cs} (1)	P	I _{cu}	I _{cs} (1)	P	I _{cu}	I _{cs} (1)			
kW	kA	%	kW	kA	%	kW	kA	%	A	A	
-	-	-	-	-	-	-	-	-	0.1...0.16	1.5	GV2ME01
0.06	*	*	-	-	-	-	-	-	0.16...0.25	2.4	GV2ME02
0.09	*	*	-	-	-	-	-	-	0.25...0.40	5	GV2ME03
0.12	*	*	-	-	-	0.37	*	*	0.40...0.63	8	GV2ME04
0.18	*	*	-	-	-	-	-	-			
0.25	*	*	-	-	-	0.55	*	*	0.63...1	13	GV2ME05
0.37	*	*	0.37	*	*	-	-	-	1...1.6	22.5	GV2ME06
0.55	*	*	0.55	*	*	0.75	*	*			
-	-	-	0.75	*	*	1.1	*	*			
0.75	*	*	1.1	*	*	1.5	3	75	1.6...2.5	33.5	GV2ME07
1.1	*	*	1.5	*	*	2.2	3	75	2.5...4	51	GV2ME08
1.5	*	*	2.2	*	*	3	3	75			
2.2	*	*	3	50	100	4	3	75	4...6.3	78	GV2ME10
3	*	*	4	10	100	5.5	3	75	6...10	138	GV2ME14
4	*	*	5.5	10	100	7.5	3	75			
5.5	15	50	7.5	6	75	9	3	75	9...14	170	GV2ME16
-	-	-	-	-	-	11	3	75			
7.5	15	50	9	6	75	15	3	75	13...18	223	GV2ME20
9	15	40	11	4	75	18.5	3	75	17...23	327	GV2ME21
11	15	40	15	4	75	-	-	-	20...25	327	GV2ME22 (3)
15	10	50	18.5	4	75	22	3	75	24...32	416	GV2ME32

Motor circuit breakers from 0.06 to 15 kW / 400 V, with lugs

To order thermal magnetic circuit breakers with connection by lugs, add the digit **6** to the end of reference selected above.

Example: **GV2ME08** becomes **GV2ME086**.

Thermal magnetic circuit breakers GV2ME with built-in auxiliary contact block

With instantaneous auxiliary contact block (composition, see page B6/21):

- GVAE1, add suffix **AE1TQ** to the motor circuit breaker reference selected above.
Example: **GV2ME01AE1TQ**.
- GVAE11, add suffix **AE11TQ** to the motor circuit breaker reference selected above.
Example: **GV2ME01AE11TQ**.
- GVAN11, add suffix **AN11TQ** to the motor circuit breaker reference selected above.
Example: **GV2ME01AN11TQ**.

These circuit breakers with built-in contact block are sold in lots of 20 units in a single pack.

(1) As % of I_{cu}.

(2) The thermal trip setting must be within the range marked on the graduated knob.

(3) Maximum rating which can be mounted in enclosures **GV2MC** or **MP**, please consult your Regional Sales Office.

* > 100 kA.





GV2ME

Motor circuit breakers from 3/4 to 20 HP / 460 V, with screw clamp terminals										
GV2ME with pushbutton control										
Thermal setting (A)	Maximum Horsepower ratings								Group Motor applications Max. Fuse or Circuit breaker (A)	Reference
	Single-Phase			Three-Phase						
	115 V	200 V	230 V	115 V	200 V	230 V	460 V	575 V		
0.1...0.16	-	-	-	-	-	-	-	-	450	GV2ME01
0.16...0.25	-	-	-	-	-	-	-	-	450	GV2ME02
0.25...0.40	-	-	-	-	-	-	-	-	450	GV2ME03
0.40...0.63	-	-	-	-	-	-	-	-	450	GV2ME04
0.63...1	-	-	-	-	-	-	-	1/2	450	GV2ME05
1...1.6	-	-	1/10	-	-	-	3/4	3/4	450	GV2ME06
1.6...2.5	-	1/6	1/6	-	1/2	1/2	1	1.5	450	GV2ME07
2.5...4	1/8	1/4	1/3	-	3/4	3/4	2	3	450	GV2ME08
4...6.3	1/4	1/2	1/2	3/4	1	1.5	3	5	450	GV2ME10
6...10	1/2	1	1.5	1	2	3	5	7.5	450	GV2ME14
9...14	3/4	2	2	2	3	3	10	10	450	GV2ME16
13...18	1	2	3	2	5	5	10	15	450	GV2ME20
17...23	1.5	3	3	3	5	7.5	15	20	450	GV2ME21
20...25	2	-	-	-	7.5	7.5	15	20	450	GV2ME22
24...32	2	5	5	5	7.5	10	20	25	450	GV2ME32



Circuit breakers

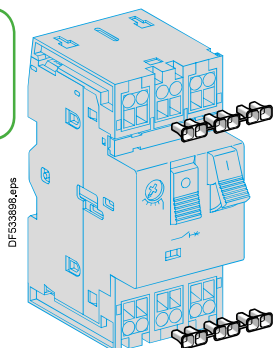
TeSys

TeSys GV2ME Thermal-magnetic circuit breakers

Product references



GV2ME●●3



LA9D99

Motor circuit breakers from 0.06 to 11 kW, with spring terminal connections

GV2ME ⁽¹⁾ with pushbutton control

Standard power ratings of 3-phase motors 50/60 Hz in category AC-3						Setting range of thermal trips ⁽³⁾	Magnetic tripping current I _d ± 20 %	Reference
400/415 V			500 V					
P	I _{cu}	I _{cs} ⁽²⁾	P	I _{cu}	I _{cs} ⁽²⁾			
kW	kA	%	kW	kA	%	A	A	
-	-	-	-	-	-	0.1...0.16	1.5	GV2ME013
0.06	*	*	-	-	-	0.16...0.25	2.4	GV2ME023
0.09	*	*	-	-	-	0.25...0.40	5	GV2ME033
0.12	*	*	-	-	-	0.40...0.63	8	GV2ME043
0.18	*	*	-	-	-			
0.25	*	*	0.37	*	*	0.63...1	13	GV2ME053
0.37	*	*						
0.37	*	*	0.37	*	*	1...1.6	22.5	GV2ME063
0.55	*	*	0.55	*	*			
			0.75	*	*			
0.75	*	*	1.1	*	*	1.6...2.5	33.5	GV2ME073
1.1	*	*	1.5	*	*	2.5...4	51	GV2ME083
1.5	*	*	2.2	*	*			
2.2	*	*	3	50	100	4...6.3	78	GV2ME103
3	*	*	4	10	100	6...10	138	GV2ME143
4	*	*	5.5	10	100			
5.5	15	50	7.5	6	75	9...14	170	GV2ME163
7.5	15	50	9	6	75	13...18	223	GV2ME203
9	15	40	11	4	75	17...23	327	GV2ME213
11	15	40						
11	15	40	15	4	75	20...25	327	GV2ME223

Contact blocks

Description	Mounting	Maximum number	Type of contacts	Sold in lots of	Unit reference
Instantaneous auxiliary contacts	Front	1	N/O + N/C	10	GVAE113
			N/O + N/O	10	GVAE203
	LH side	2	N/O + N/C	1	GVAN113
			N/O + N/O	1	GVAN203

Accessory

Description	Application	Sold in lots of	Unit reference
Cable end reducer	For connection of conductors from 1 to 1.5 mm ²	20	LA9D99

⁽¹⁾ For connection of conductors from 1 to 1.5 mm², the use of an LA9D99 cable end reducer is recommended.

⁽²⁾ Maximum rating which can be mounted in enclosures GV2MC or MP, please consult your Regional Sales Office

⁽³⁾ The thermal trip setting must be within the range marked on the graduated knob.

* > 100 kA.

TeSys

TeSys GV2P Thermal-magnetic circuit breakers

Product references



GV2P

Motor circuit breakers from 0.06 to 30 kW / 400 V											
Standard power ratings of 3-phase motors 50/60 Hz in category AC-3									Setting range of thermal trips (2)	Magnetic tripping current Id ± 20 %	Reference
400/415 V			500 V			690 V					
P	Icu	Ics (1)	P	Icu	Ics (1)	P	Icu	Ics (1)	A	A	
kW	kA	%	kW	kA	%	kW	kA	%	A	A	
GV2P: control by rotary knob											
Screw clamp terminals											
–	–	–	–	–	–	–	–	–	0.1...0.16	1.5	GV2P01
0.06	*	*	–	–	–	–	–	–	0.16...0.25	2.4	GV2P02
0.09	*	*	–	–	–	–	–	–	0.25...0.40	5	GV2P03
0.12	*	*	–	–	–	0.37	*	*	0.40...0.63	8	GV2P04
0.18	*	*	–	–	–	–	–	–	–	–	–
0.25	*	*	–	–	–	0.55	*	*	0.63...1	13	GV2P05
0.37	*	*	0.37	*	*	–	–	–	1...1.6	22.5	GV2P06
0.55	*	*	0.55	*	*	0.75	*	*	–	–	–
0.75	*	*	1.1	*	*	1.5	8	100	1.6...2.5	33.5	GV2P07
1.1	*	*	1.5	*	*	2.2	8	100	2.5...4	51	GV2P08
2.2	*	*	3	*	*	4	6	100	4...6.3	78	GV2P10
3	*	*	5	50	100	5.5	6	100	6...10	138	GV2P14
5.5	*	*	7.5	42	75	9	6	100	9...14	170	GV2P16
–	–	–	–	–	–	11	6	100	–	–	–
7.5	50	50	9	10	75	15	4	100	13...18	223	GV2P20
9	50	50	11	10	75	18.5	4	100	17...23	327	GV2P21
11	50	50	15	10	75	–	–	–	20...25	327	GV2P22
15	50	50	18.5	10	75	22	4	100	24...32	416	GV2P32

How to use the table : select your load operating voltage, then select its standard power value (below, in the same column). The appropriate circuit breaker is in the extreme right column, in the corresponding row.

Example: GV2P04 can protect 0.12 and 0.18 kW under 400/415 V, and 0.18 kW under 440 V, and 0,37 kW under 690 V. No 500 V standard power value can fit GV2P04.

Motor circuit breakers up to 50 HP / 600 V, UL 60947-4-1 type E

GV2 (3)

To obtain a GV2P motor circuit breaker, UL 60947-4-1 type E, use the following with the circuit breaker:

- a "Large Spacing" adapter **GV2GH7**.

Motor circuit breakers from 3/4 to 20 HP / 460 V, with screw clamp terminals

GV2P with rotary handle

Thermal setting (A)	Maximum Horsepower ratings (4)								Group Motor applications	Reference
	Single-Phase			Three-Phase						
	115 V	200 V	230 V	115 V	200 V	230 V	460 V	575 V	Max. Fuse or Circuit breaker (A)	
0.1...0.16	–	–	–	–	–	–	–	–	450	GV2P01
0.16...0.25	–	–	–	–	–	–	–	–	450	GV2P02
0.25...0.40	–	–	–	–	–	–	–	–	450	GV2P03
0.40...0.63	–	–	–	–	–	–	–	–	450	GV2P04
0.63...1	–	–	–	–	–	–	–	1/2	450	GV2P05
1...1.6	–	–	1/10	–	–	–	3/4	3/4	450	GV2P06
1.6...2.5	–	1/6	1/6	–	1/2	1/2	1	1.5	450	GV2P07
2.5...4	1/8	1/4	1/3	–	3/4	3/4	2	3	450	GV2P08
4...6.3	1/4	1/2	1/2	3/4	1	1.5	3	5	450	GV2P10
6...10	1/2	1	1.5	1	2	3	5	7.5	450	GV2P14
9...14	3/4	2	2	2	3	3	10	10	450	GV2P16
13...18	1	2	3	2	5	5	10	15	450	GV2P20
17...23	1.5	3	3	3	5	7.5	15	20	450	GV2P21
20...25	2	–	–	–	7.5	7.5	15	20	450	GV2P22
24...32	2	5	5	5	7.5	10	20	25	450	GV2P32

(1) As % of Icu.

(2) The thermal trip setting must be within the range marked on the graduated knob.

(3) Accessory: see page B6/23.

(4) 3P FLA corresponding values: see page A6/58.

* > 100 kA.



Circuit
breakers

TeSys

TeSys GV2RT Thermal-magnetic circuit breakers

Product references

PB121514eps



GV2RT



Circuit breakers

For motors with high current peak on starting

Control by rocker lever

Standard power ratings of 3-phase motors 50/60 Hz in category AC-3					Setting range of thermal trips ⁽¹⁾	Magnetic tripping current I _d ± 20 %	Reference
220/230 V	400/415 V	440 V	500 V	690 V			
kW	kW	kW	kW	kW	A	A	
0.06	0.09	0.09 0.12	–	–	0.25...0.40	8	GV2RT03
–	0.12 0.18	0.18	–	0.37	0.40...0.63	13	GV2RT04
0.09 0.12	0.25 0.37	0.25 0.37	0.37	0.55	0.63...1	22	GV2RT05
0.18 0.25	0.37 0.55	0.37 0.55	0.37 0.55 0.75	0.75 1.1	1...1.6	33	GV2RT06
0.37	0.75	0.75 1.1	1.1	1.5	1.6...2.5	51	GV2RT07
0.55 0.75	1.1 1.5	1.5	1.5 2.2	2.2 3	2.5...4	78	GV2RT08
1.1	2.2	2.2 3	3	4	4...6.3	138	GV2RT10
1.5 2.2	3 4	4	4 5.5	5.5 7.5	6...10	200	GV2RT14
2.2 3	5.5	5.5 7.5	7.5	9 11	9...14	280	GV2RT16
4	7.5	7.5 9	9	15	13...18	400	GV2RT20
5.5	9 11	11	11	18.5	17...23	400	GV2RT21

⁽¹⁾ The thermal trip setting must be within the range marked on the graduated knob.

For primaries of 3-phase transformers

Control by rocker lever

Standard power ratings					Setting range of thermal trips ⁽²⁾	Magnetic tripping current I _d ± 20 %	Reference
230/240 V	400/415 V	440 V	500 V	690 V			
kVA	kVA	kVA	kVA	kVA	A	A	
–	–	–	–	–	0.25...0.40	8	GV2RT03
–	–	–	–	–	0.40...0.63	13	GV2RT04
–	–	0.63	0.63	1	0.63...1	22	GV2RT05
0.4	0.63	1	1	–	1...1.6	33	GV2RT06
0.63	1	–	1.6	1.6 2	1.6...2.5	51	GV2RT07
1	1.6 2	1.6 2	2 2.5	2.5	2.5...4	78	GV2RT08
1.6 2	2.5	2.5 4	4	4 5 6.3	4...6.3	138	GV2RT10
2.5	4 5	5	5 6.3	–	6...10	200	GV2RT14
4	6.3	6.3	–	10 12.5	9...14	280	GV2RT16
5 6.3	10	10	10 12.5	10	13...18	400	GV2RT20

Accessory ⁽³⁾

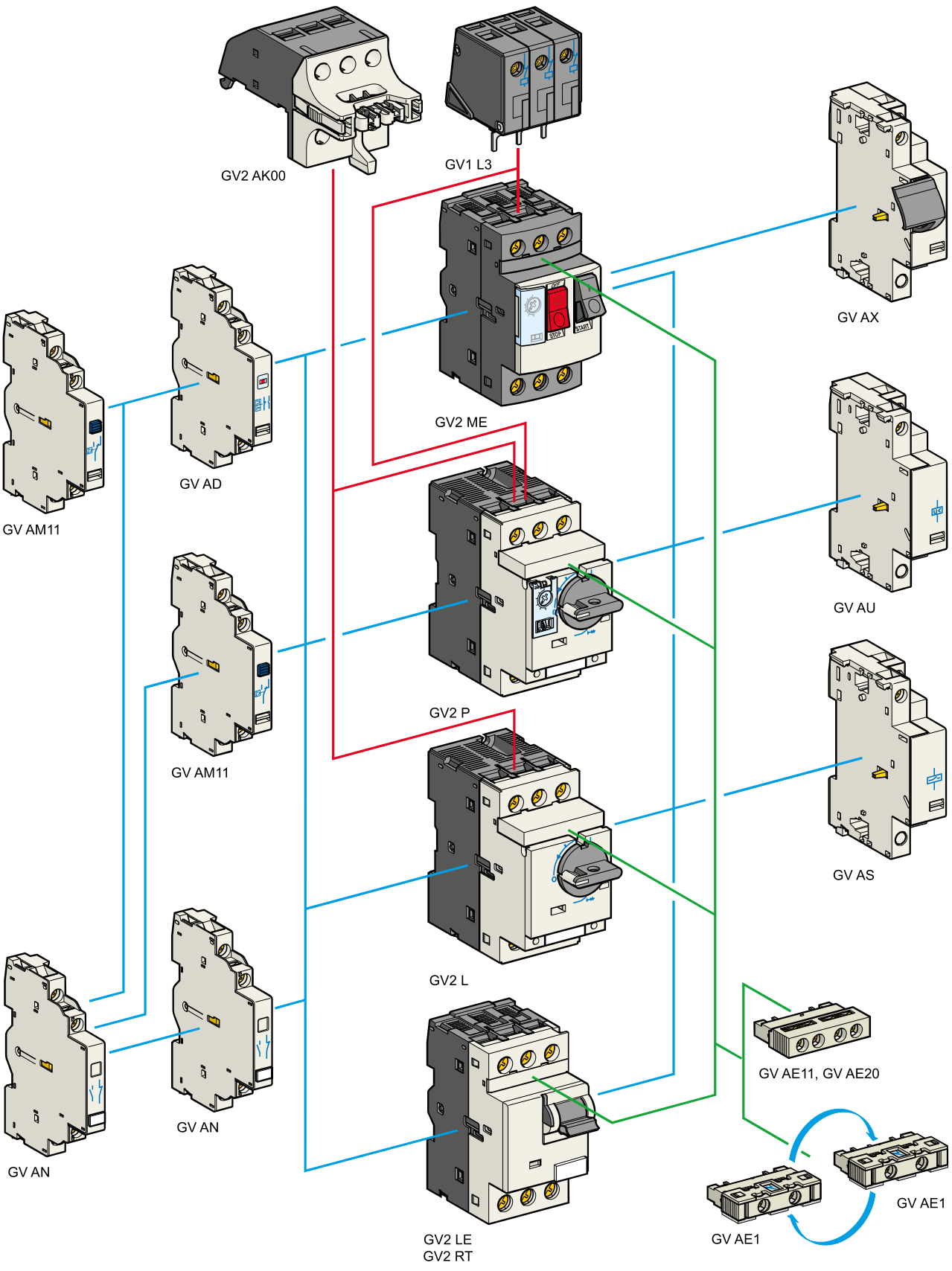
Description

Padlockable external operator (IP 54)
black handle, blue legend plate

Reference
GV2AP03

⁽²⁾ The thermal trip setting must be within the range marked on the graduated knob.

⁽³⁾ Other accessories such as mounting, cabling and marking accessories are identical to those used for GV2ME motor circuit breakers, see page B6/23.



Circuit breakers

Contact blocks						
Description	Mounting	Maximum number	Type of contacts	Sold in lots of	Unit reference	
Instantaneous auxiliary contacts	Front ⁽¹⁾	1	N/O or N/C ⁽²⁾	10	GVAE1	
			N/O + N/C	10	GVAE11	
			N/O + N/O	10	GVAE20	
	Side (LH)	2	N/O + N/C	1	GVAN11	
			N/O + N/O	1	GVAN20	
Fault signalling contact + instantaneous auxiliary contact	Side ⁽³⁾ (LH)	1	N/O (fault)	+ N/O	1	GVAD1010
				+ N/C	1	GVAD1001
			N/C (fault)	+ N/O	1	GVAD0110
				+ N/C	1	GVAD0101
Short-circuit signalling contact	Side (LH)	1	C/O common point	1	GVAM11	

Electric trips			
Mounting	Voltage		Reference
Undervoltage or shunt trips ⁽⁴⁾			
Side (1 block on RH side of circuit breaker)	24 V	50 Hz	GVA●025
		60 Hz	GVA●026
	48 V	50 Hz	GVA●055
		60 Hz	GVA●056
	100 V	50 Hz	GVA●107
		60 Hz	GVA●107
	100...110 V	50 Hz	GVA●115
		60 Hz	GVA●116
	120...127 V	50 Hz	GVA●125
		60 Hz	GVA●115
	200 V	50 Hz	GVA●207
		60 Hz	GVA●207
	200...220 V	50 Hz	GVA●225
		60 Hz	GVA●226
	380...400 V	50 Hz	GVA●385
		60 Hz	GVA●386
	415...440 V	50 Hz	GVA●415
		60 Hz	GVA●416
	440 V	60 Hz	GVA●385
	480 V	60 Hz	GVA●415
500 V	50 Hz	GVA●505	
600 V	60 Hz	GVA●505	

Undervoltage trip, INRS (can only be mounted on GV2ME) Safety device for dangerous machines conforming to INRS and VDE 0113			
Side (1 block on RH side of circuit breaker GV2ME)	110...115 V	50 Hz	GVAX115
		60 Hz	GVAX116
	127 V	60 Hz	GVAX115
		50 Hz	GVAX225
	220...240 V	60 Hz	GVAX226
		50 Hz	GVAX385
	380...400 V	60 Hz	GVAX386
		50 Hz	GVAX415
	415...440 V	50 Hz	GVAX415
	440 V	60 Hz	GVAX385

Limiter blocks			
Description	Mounting	Maximum number	Reference
Visible isolation block ⁽⁵⁾	Front ⁽¹⁾	1	GV2AK00 ⁽⁶⁾
Limiters	At top (GV2ME and GV2P) for circuit breakers with screw clamp connections	1	GV1L3
	Independent	1	LA9LB920

- (1) Mounting of a GVAE contact block or a GV2AK00 visible isolation block on GV2P and GV2L.
 (2) Choice of N/C or N/O contact operation, depending on which way round the reversible block is mounted.
 (3) The GVAD is always mounted next to the circuit breaker.
 (4) To order an undervoltage trip: replace the dot (●) in the reference with a U, example: GVAU025.
 To order a shunt trip: replace the dot (●) in the reference with an S, example: GVAS025.
 (5) Visible isolation of the 3 poles upstream of circuit breaker GV2P and GV2L.
 (6) Ie Max = 32 A.

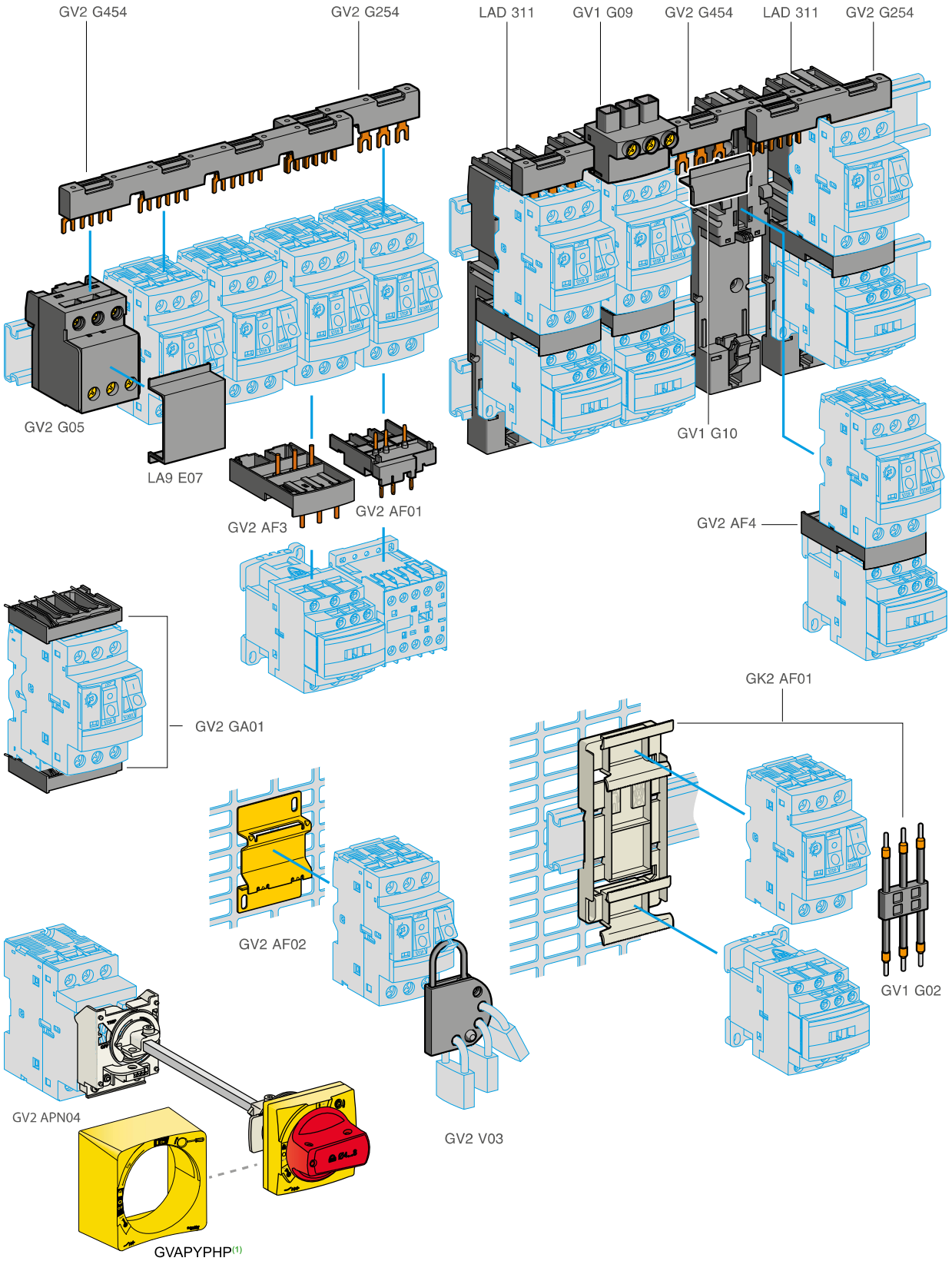


GV1L3



LA9LB920





Circuit breakers

(1) Standard front plate must be removed from the assembly and replaced by Protective front plate (GVAPYPHP).

TeSys

TeSys GV2 circuit breakers - Accessories

Product references

Accessories for circuit breakers with screw clamp connections

Description	Application	Sold in lots of	Unit reference
Adapter plates	For mounting a GV2 by screw fixing	10	GV2AF02
	For mounting a GV2ME and contactor LC1D09...D38 with front faces aligned	1	LAD311
Height compensation plate	7.5 mm to align GV2ME-GV2LE and GV2P-GV2L and allow the use of a common GV2G●●● busbar	10	GV1F03
Combination blocks	Between GV2 and contactor LC1K or LP1K	10	GV2AF01
	Between GV2 and contactor LC1D09...D38	10	GV2AF3
	Between GV2 mounted on LAD311 and contactor LC1D09...D38	10	GV2AF4
Motor starter adapter plate	With 3-pole connection for mounting a GV2 and a contactor LC1D09...D25	1	GK2AF01

Description	Application	Pitch mm	Reference
Sets of 3-pole Ie = 63 A busbars	2 tap-offs	45	GV2G245
		54	GV2G254
		72	GV2G272
	3 tap-offs	45	GV2G345
		54	GV2G354
	4 tap-offs	45	GV2G445
		54	GV2G454
		72	GV2G472
	5 tap-offs	54	GV2G554

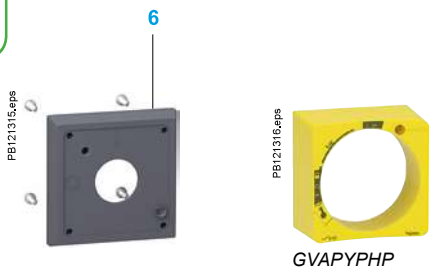
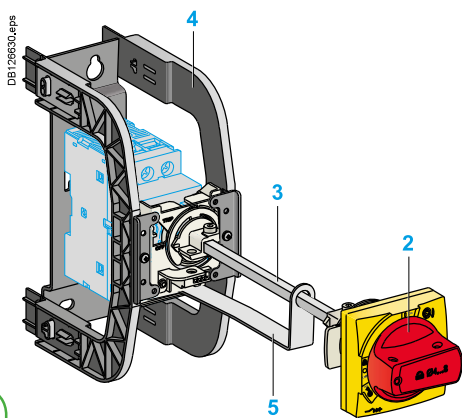
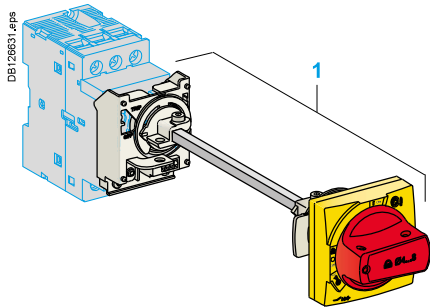
Description	Ie	Application	Sold in lots of	Unit reference
	A			
Protective end cover	-	For unused busbar outlets	5	GV1G10
Terminal block for supply to one or more GV2G busbar sets	63	Connection from the top	1	GV1G09
	63	Can be fitted with current limiter GV1L3 (GV2ME and GV2P)	1	GV2G05
Cover for terminal block	-	For mounting in modular panels	10	LA9E07
Flexible 3-pole connection for connecting a GV2 to a contactor LC1D09...D25	25	Centre distance between mounting rails: 100...120 mm	10	GV1G02
Set of connections upstream/downstream	16	For connecting GV2ME to a printed circuit board	10	GV2GA01
"Large Spacing" adapter UL 60947-4-1 type E	-	For GV2P●● (except 32 A)	1	GV2GH7
Clip-in marker holders (supplied with each circuit breaker)	-	For GV2P, GV2L, GV2LE and GV2RT (8 x 22 mm)	100	LA9D92

P8119241_eps



GV1G09

Circuit
breakers



Extended Rotary Handle

Allows a circuit breaker or a starter-controller installed in back of an enclosure to be operated from the front of the enclosure.

A rotary handle can be black or red/yellow, IP54 or IP65. It includes a function for locking the circuit breaker or the starter in the O (Off) for red/yellow handle, in the O (Off) or I (On) for black handle, by means of up to 3 padlocks with a shank diameter of 4 to 8 mm. The extended shaft must be adjusted to use in different size enclosures. The IP54 rotary handle is fixed with a nut (Ø22) to make easier the assembling. The new Laser Square tool brings the accuracy to align the circuit breaker and the rotary handle.

Padlockable external operators for GV2P and GV2L

Description

- 1 Kit handle + mounting system
- 2 Universal handle
- 3 Shaft
- 4 Bracket
- 5 Shaft support plate for deep enclosure
- 6 Retrofit accessory
- 7 Laser Square accessory

Kit handle + mounting system

Description	Item	Reference
For GV2P/L	Black handle, front plate, with trip status, IP 54	1 GV2APN01
	Red handle, front plate, with trip status, IP 54	1 GV2APN02
	Black handle, front plate, without trip status, IP 65	1 GV2APN03
	Red handle, front plate, without trip status, IP 65	1 GV2APN04
For GV2LE	Padlocking in "On" and "Off" position	- GV2AP03
	Black handle, blue front plate, IP 54	

Universal handle

For GV2P/L	Black handle, with trip status, IP54	2 GVAPB54
	Red handle, with trip status, IP54	2 GVAPR54
	Red handle, without trip status, IP65	2 GVAPR65
	Black handle, without trip status, IP 65	2 GVAPB65

External handle protection frame

For GV2P/L	Yellow frame	1 GVAPYPHP
	Black frame	1 GVAPBPHP

Shaft

For GV2P/L	L = 315 mm	3 GVAPA1
------------	------------	----------

Bracket

For GV2P/L		4 GVAPH02
------------	--	-----------

Shaft support plate for deep enclosure

For GV2P/L	Depth ≥ 250 mm	5 GVAPK11
------------	----------------	-----------

Retrofit accessory

For GV2P/L		6 GVAPP1
------------	--	----------

Laser Square accessory

For GV2P/L		7 GVAPL01
------------	--	-----------

Sticker

Warning label		Sold in lots of	
	For French	10	- GVAPSFR
	For English	10	- GVAPSEN
	For German	10	- GVAPSEDE
	For Spanish	10	- GVAPSEES
	For Chinese	10	- GVAPSCN
	For Portuguese	10	- GVAPSPT
	For Russian	10	- GVAPSRU
	For Italian	10	- GVAPSIT

Padlocking device

Description	Reference
For all GV2 device	For use with up to 4 padlocks, Ø6 mm shank max. (padlocks not included)
	GV2V03

X-ON Electronics

Largest Supplier of Electrical and Electronic Components

Click to view similar products for [Motor Drives](#) category:

Click to view products by [Schneider](#) manufacturer:

Other Similar products are found below :

[GMA02](#) [1300920283](#) [GMA11](#) [GMA20](#) [R88DUA03LAAC100V30W](#) [R88DUA12HA](#) [R88DUP03LAAC100V30W](#) [STR2](#) [VX5A1400](#)
[MFMCB0030GET](#) [1302263150](#) [1300920078](#) [R88D-GT04H](#) [R88D-GN04H-ML2](#) [R7D-BP01H](#) [R88D-KN04L-ECT](#) [70354063](#) [79294435](#)
[15275008](#) [STAC6-QE](#) [1SFA896112R1100](#) [GNCF8-11](#) [KLC35BE](#) [ST10-Q-RN](#) [1302263161](#) [VX5A1300](#) [U-PKZ0\(400V50HZ\)](#) [LUCC12FU](#)
[LU9BN11L](#) [LULC08](#) [68581982](#) [3AUA0000038701](#) [3AUA0000039630](#) [3AUA0000058186](#) [68878365](#) [68878373](#) [3G3MX2-AB002-E-ECT](#)
[316.9751.20.00](#) [316.9751.30.00](#) [VFS15-4150PL-W1](#) [GV2P01](#) [111.3763.30.00](#) [111.9031.20.00](#) [111.9199.20.00](#) [132B0100](#)
[UDS1UR6M50CANCZ183](#) [103H5205-5240](#) [103H7126-1740](#) [103H7823-1741](#) [111.3761.20.00E](#)