

# GV2P10

TeSys GV2 Manual Starter and Protector, thermal magnetic circuit protector, rotary handle, 4 to 6.3 A, screw clamp



Product availability: Stock - Normally stocked in distribution facility



## Main

|                      |                  |
|----------------------|------------------|
| Range                | TeSys            |
| Product name         | TeSys GV2        |
| Device short name    | GV2P             |
| Device application   | Motor            |
| Trip unit technology | Thermal-magnetic |

## Complementary

|   |   |
|---|---|
| Poles description                                   | 3P  |
| Network type  | AC  |
| Utilisation category                                | AC-3 conforming to IEC 60947-4-1<br>Category A conforming to IEC 60947-2  |
| Network frequency                                   | 50/60 Hz conforming to IEC 60947-4-1  |
| Fixing mode   | Clipped on 35 mm symmetrical DIN rail<br>Screwed on panel (with 2 x M4 screws)  |
| Operating position                                  | Any position  |
| Motor power kW                                      | 3 kW at 500 V AC 50/60 Hz<br>4 kW at 690 V AC 50/60 Hz<br>2.2 kW at 400/415 V AC 50/60 Hz   |
| Breaking capacity                                   | 100 kA Icu at 500 V AC 50/60 Hz conforming to IEC 60947-2<br>100 kA Icu at 230/240 V AC 50/60 Hz conforming to IEC 60947-2<br>100 kA Icu at 400/415 V AC 50/60 Hz conforming to IEC 60947-2<br>100 kA Icu at 440 V AC 50/60 Hz conforming to IEC 60947-2<br>6 kA Icu at 690 V AC 50/60 Hz conforming to IEC 60947-2 |
| [Ics] rated service short-circuit breaking capacity | 100 % at 230/240 V AC 50/60 Hz conforming to IEC 60947-2<br>100 % at 440 V AC 50/60 Hz conforming to IEC 60947-2<br>100 % at 500 V AC 50/60 Hz conforming to IEC 60947-2<br>100 % at 690 V AC 50/60 Hz conforming to IEC 60947-2<br>100 % at 400/415 V AC 50/60 Hz conforming to IEC 60947-2                        |
| Control type  | Rotary knob   |
| [In] rated current                                  | 6.3 A   |
| Thermal protection adjustment range                 | 4..6.3 A  |
| Magnetic tripping current                           | 78 A  |
| System Voltage                                      | AC 50/60 Hz conforming to IEC 60947-2   |
| [Ui] rated insulation voltage                       | 690 V AC 50/60 Hz conforming to IEC 60947-2   |
| [Ith] conventional free air thermal current         | 6.3 A conforming to IEC 60947-4-1   |
| [Uimp] rated impulse withstand voltage              | 6 kV conforming to IEC 60947-2  |
| Power dissipation per pole                          | 2.5 W   |
| Mechanical durability                               | 100000 cycles   |
| Electrical durability                               | 100000 cycles AC-3 at 440 V   |
| Operating rate                                      | 25 cyc/h  |
| Rated duty  | Continuous conforming to IEC 60947-4-1  |

The information provided in this documentation contains general descriptions and/or technical characteristics of the performance of the products contained herein. This documentation is not intended as a substitute for and is not to be used for determining suitability or reliability of these products for specific user applications. It is the duty of any such user or integrator to perform the appropriate and complete risk analysis, evaluation and testing of the products with respect to the relevant specific application or use thereof. Neither Schneider Electric Industries SAS nor any of its affiliates or subsidiaries shall be responsible or liable for misuse of the information contained herein.

|                           |   |
|---------------------------|---|
| Connections - terminals   | Screw clamp terminals 2 cable(s) 0...0.01 in <sup>2</sup> (1...6 mm <sup>2</sup> ) solid<br>Screw clamp terminals 2 cable(s) 0...0.01 in <sup>2</sup> (1.5...6 mm <sup>2</sup> ) flexible without cable end<br>Screw clamp terminals 2 cable(s) 0...0.01 in <sup>2</sup> (1...4 mm <sup>2</sup> ) flexible with cable end |
| Tightening torque         | 15.04 lbf.in (1.7 N.m) on screw clamp terminals   |
| Suitability for isolation | Yes conforming to IEC 60947-1   |
| Phase failure sensitivity | Yes conforming to IEC 60947-4-1   |
| Height                    | 3.5 in (89 mm)  |
| Width                     | 1.77 in (45 mm)   |
| Depth                     | 3.82 in (97 mm)   |

## Environment

|                                       |   |
|---------------------------------------|---|
| Standards                             | EN 60204<br>VDE 0660<br>UL 508<br>NF C 79-130<br>VDE 0113<br>NF C 63-120<br>IEC 60947-1<br>IEC 60947-2<br>CSA C22.2<br>NF C 63-650<br>IEC 60947-4-1 |
| Product certifications                | DNV<br>EAC<br>ATEX<br>BV<br>TSE<br>UL<br>UL 508 type E<br>EZU<br>CCC<br>CSA<br>RINA<br>GL<br>LROS (Lloyds register of shipping)                     |
| Protective treatment                  | TH  |
| IP degree of protection               | IP20 conforming to IEC 60529  |
| IK degree of protection               | IK04  |
| Ambient air temperature for operation | -4...140 °F (-20...60 °C)   |
| Ambient air temperature for storage   | -40...176 °F (-40...80 °C)  |
| Fire resistance                       | 1760 °F (960 °C) conforming to IEC 60695-2-1  |
| Operating altitude                    | 6561.68 ft (2000 m)   |

## Ordering and shipping details

|                       |                                    |
|-----------------------|------------------------------------|
| Category              | 22367 - MANUAL STR PROTECTOR - GV2 |
| Discount Schedule     | I11                                |
| GTIN                  | 00785901832942                     |
| Nbr. of units in pkg. | 1                                  |
| Package weight(Lbs)   | 0.7700000000000002                 |
| Returnability         | Y                                  |
| Country of origin     | TH                                 |

## Offer Sustainability

|                                  |  |
|----------------------------------|--|
| Sustainable offer status         | Green Premium product  |
| RoHS (date code: YYWW)           | Compliant - since 0631 - Schneider Electric declaration of conformity <a href="#">Schneider Electric declaration of conformity</a> |
| REACH                            | Reference contains SVHC above the threshold - Go to CaP for more details-<br><a href="#">Go to CaP for more details</a>            |
| Product environmental profile    | Available  |
| Product end of life instructions | Need no specific recycling operations  |
| California proposition 65        | WARNING: This product can expose you to chemicals including:   |

---

|                        |  |
|------------------------|--|
| ----- Substance 1      | Antimony oxide & Antimony trioxide, which is known to the State of California to cause cancer. |
| ----- More information | For more information go to <a href="http://www.p65warnings.ca.gov">www.p65warnings.ca.gov</a>  |

---

### Contractual warranty

---

|                 |           |
|-----------------|-----------|
| Warranty period | 18 months |
|-----------------|-----------|

---

Thermal-Magnetic Tripping Curves for GV2ME and GV2P

Average Operating Times at 20 °C Related to Multiples of the Setting Current



- 1 3 poles from cold state
- 2 2 poles from cold state
- 3 3 poles from hot state

Current Limitation on Short-Circuit for GV2ME and GV2P (3-Phase 400/415 V)

Dynamic Stress

$I_{peak} = f(\text{prospective } I_{sc}) \text{ at } 1.05 U_e = 435 \text{ V}$



- 1 Maximum peak current
- 2 24-32 A
- 3 20-25 A
- 4 17-23 A
- 5 13-18 A
- 6 9-14 A
- 7 6-10 A
- 8 4-6.3 A
- 9 2.5-4 A
- 10 1.6-2.5 A
- 11 1-1.6 A
- 12 Limit of rated ultimate breaking capacity on short-circuit of GV2ME (14, 18, 23, and 25 A ratings).

### Thermal Limit on Short-Circuit for GV2P

Thermal Limit in  $kA^2s$  in the Magnetic Operating Zone

Sum of  $I^2dt = f$  (prospective Isc) at  $1.05 U_e = 435 V$



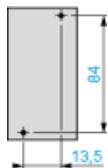
- 1 24-32 A
- 2 20-25 A
- 3 17-23 A
- 4 13-18 A
- 5 9-14 A
- 6 6-10 A
- 7 4-6.3 A
- 8 2.5-4 A
- 9 1.6-2.5 A
- 10 1-1.6 A

GV2P

On rail AM1 DE200, ED200 (35 x 15)



Panel mounted



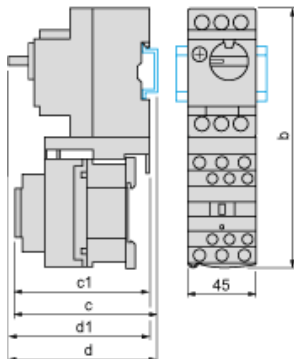
On pre-slotted plate AM1 PA



Adapter plate GK2AF01



Combination GV2P + TeSys d contactor



| GV2P + | LC1D09...D18 | LC1D25 and D32 |
|--------|--------------|----------------|
| b      | 176.4        | 186.8          |
| c1     | 100.1        | 106.4          |
| c      | 105.6        | 111.9          |
| d1     | 95           | 95             |
| d      | 100.5        | 100.5          |

## Mounting

Mounting of External Operator GV2APN01, GV2APN02 or GV2APN04 for Motor Circuit Breakers GV2P

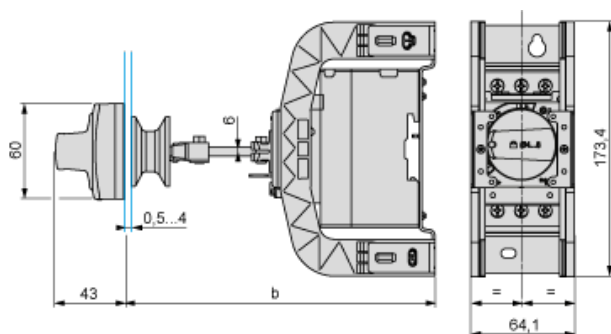


Door cut-out



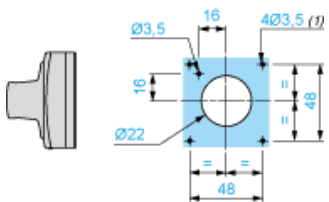
(1) For IP65 only.

Mounting of External Operator GVAPH02 for Motor Circuit Breakers GV2P



|                              | a       |         | b       |         |
|------------------------------|---------|---------|---------|---------|
|                              | Minimum | Maximum | Minimum | Maximum |
| GV2APN..                     | 140     | 250     | –       | –       |
| GV2APN.. + GVAPH02           | –       | –       | 151     | 250     |
| GV2APN.. + GVAPK11           | 250     | 434     | –       | –       |
| GV2APN.. + GVAPH02 + GVAPK11 | –       | –       | 250     | 445     |

Door cut-out



(1) For IP65 only.



GV2P••



## X-ON Electronics

Largest Supplier of Electrical and Electronic Components

*Click to view similar products for [Contactors - Electromechanical category](#):*

*Click to view products by [Schneider manufacturer](#):*

Other Similar products are found below :

[6-1618400-7](#) [686-117111](#) [686-120111](#) [686-924](#) [686-948](#) [70-901](#) [70-914](#) [MB-3D-6](#) [MC-22A/4-AC120V](#) [8-1616943-9](#) [8-1672124-5](#)  
[A40-30-10-84](#) [120-905](#) [A701U](#) [120-904](#) [1393132-9](#) [154-905](#) [154-912](#) [154-913](#) [154-915](#) [154-902](#) [154-910](#) [AVR743D](#) [B6-40-00-84](#) [B7-40-00-84](#) [1616017-5](#) [1616021-1](#) [MVDILM](#) [HP-11D-24](#) [P25-E5019-1](#) [P30C47A12D1-120](#) [P40C47A12D1-120](#) [P40P47D13P1-24-01](#) [CA7-12-10-240](#) [CA7-72-00-24Z](#) [90-162](#) [9-1393132-2](#) [2NC4F0222](#) [A275KXXV2-120VAC](#) [ACC338UMM20](#) [AF80-30-11-13](#) [SZ-B1](#) [CGC-9A-120](#) [3GC2H0M22](#) [3NC0T0A22](#) [3NC1Q0A22](#) [3NC2H0A22](#) [3NC2T0122/SE](#) [3TF3400-0BB4](#) [MC-12B-DC24V](#)