

Product availability: Stock - Normally stocked in distribution facility



Main

| | |
|---------------------------|--------------------|
| Range of product | Magelis STO & STU |
| Product or component type | Touch panel screen |
| Software designation | Vijeo Designer |
| Operating system | Magelis |
| Processor name | CPU ARM9 |

Complementary

| | |
|----------------------------|--|
| Display size | 3.5 inch |
| Display type | QVGA TFT colour touchscreen |
| Display colour | 65536 colours |
| Display resolution | 320 x 240 pixels QVGA |
| Touch panel | Analogue |
| Backlight lifespan | 50000 hours |
| Brightness | 16 levels |
| Character font | Korean Chinese (simplified Chinese) Japanese (ANK, Kanji) Taiwanese (traditional Chinese) ASCII |
| [Us] rated supply voltage | 24 V DC |
| Supply | External source |
| Supply voltage limits | 20.4...28.8 V |
| Inrush current | <= 30 A |
| Power consumption in W | 6.5 W |
| Number of pages | Limited by internal memory capacity |
| Processor frequency | 333 MHz |
| Memory description | Application memory, 16 MB Back up of data, 64 kB |
| Integrated connection type | 1 USB 2.0 type mini B 1 USB 2.0 type A Removable screw terminal block connector power supply Female RJ45 connector COM1 serial link with RS232C/RS485 interface at <= 115.2 kbits/s |
| Realtime clock | Access to the PLC real-time clock |
| Downloadable protocols | Third party protocols Uni-TE Modbus TCP/IP Modbus |
| Fixing mode | Ø 22 mm hole |
| Enclosure material | PC/PBT |
| Marking | CE With Schneider logo |
| Height | 3.86 in (98.15 mm) |
| Width | 4.65 in (118 mm) |
| Depth | 2.18 in (55.3 mm) |

The information provided in this documentation contains general descriptions and/or technical characteristics of the performance of the products contained herein. This documentation is not intended as a substitute for and is not to be used for determining suitability or reliability of these products for specific user applications. It is the duty of any such user or integrator to perform the appropriate and complete risk analysis, evaluation and testing of the products with respect to the relevant specific application or use thereof. Neither Schneider Electric Industries SAS nor any of its affiliates or subsidiaries shall be responsible or liable for misuse of the information contained herein.

Environment

| | |
|---------------------------------------|--|
| Immunity to microbreaks | <= 10 ms |
| Standards | FCC Class A EN 61131-2 UL 1604 IEC 61000-6-2 UL 508 |
| Product certifications | CULus C-Tick UL class 1 Div2 T4A ou T5 Marine |
| Ambient air temperature for operation | 32...122 °F (0...50 °C) |
| Ambient air temperature for storage | -4...140 °F (-20...60 °C) |
| Relative humidity | 0...85 % without condensation |
| Operating altitude | <= 6561.68 ft (2000 m) |
| IP degree of protection | IP20 (rear panel) conforming to IEC 60529 IP65 (front panel) conforming to IEC 60529 |
| NEMA degree of protection | NEMA 4X front panel (indoor use) |
| Shock resistance | 15 gn 11 ms conforming to IEC 60068-2-27 |
| Vibration resistance | +/- 3.5 mm (f = 5...9 Hz) conforming to IEC 60068-2-6 1 gn (f = 9...150 Hz) conforming to IEC 60068-2-6 |
| Resistance to electromagnetic fields | 9.14 V/yd (10 V/m) conforming to IEC 61000-4-3 |

Ordering and shipping details

| | |
|-----------------------|------------------------------------|
| Category | 22569 - MAGELIS XBT-GT (AND XBT-G) |
| Discount Schedule | MC2 |
| GTIN | 00785901921387 |
| Nbr. of units in pkg. | 1 |
| Package weight(Lbs) | 1.21 |
| Returnability | Y |
| Country of origin | CN |

Offer Sustainability

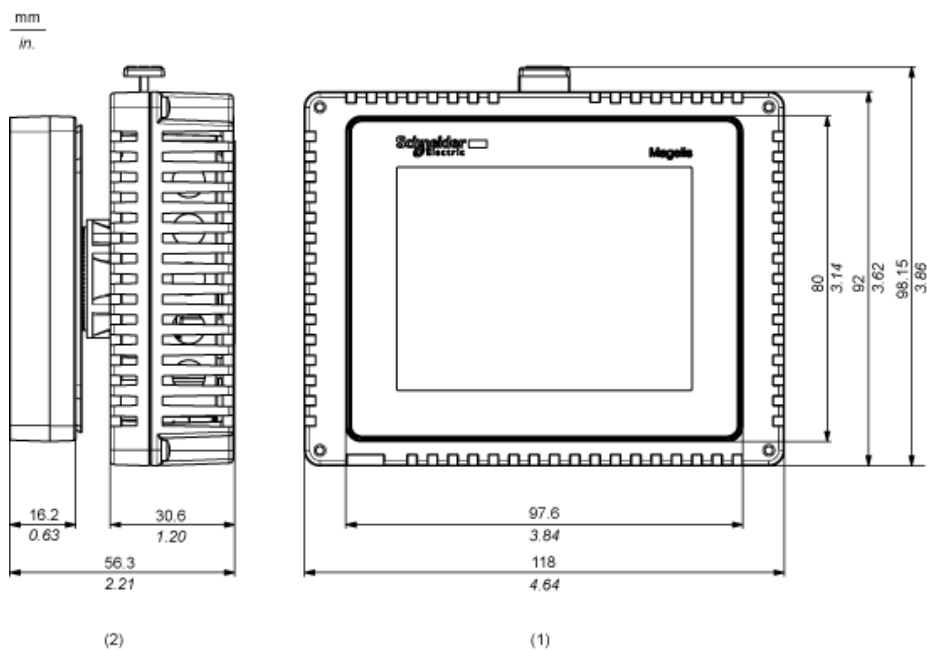
| | |
|----------------------------|---|
| RoHS (date code: YYWW) | Compliant - since 1001 - Schneider Electric declaration of conformity Schneider Electric declaration of conformity |
| REACH | Reference not containing SVHC above the threshold |
| California proposition 65 | WARNING: This product can expose you to chemicals including: Lead and lead compounds, which is known to the State of California to cause cancer and birth defects or other reproductive harm. For more information go to www.P65Warnings.ca.gov |
| - - - - - Substance 1 | Lead and lead compounds, which is known to the State of California to cause cancer and birth defects or other reproductive harm. |
| - - - - - More information | For more information go to www.p65warnings.ca.gov |

Contractual warranty

| | |
|-----------------|-----------|
| Warranty period | 18 months |
|-----------------|-----------|

Display and Rear Modules

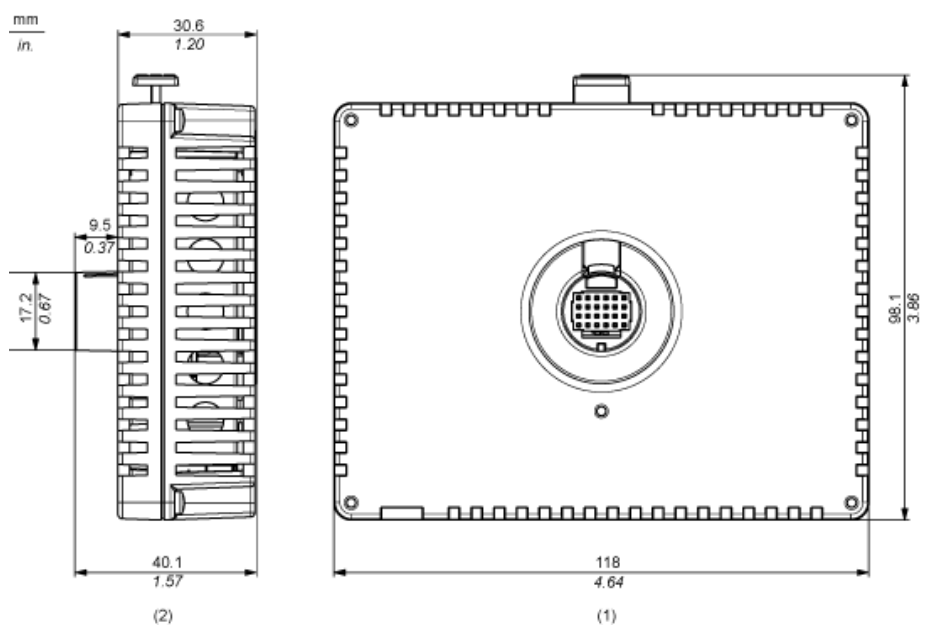
Dimensions



- (1) Right Side
- (2) Front

Rear Module

Dimensions

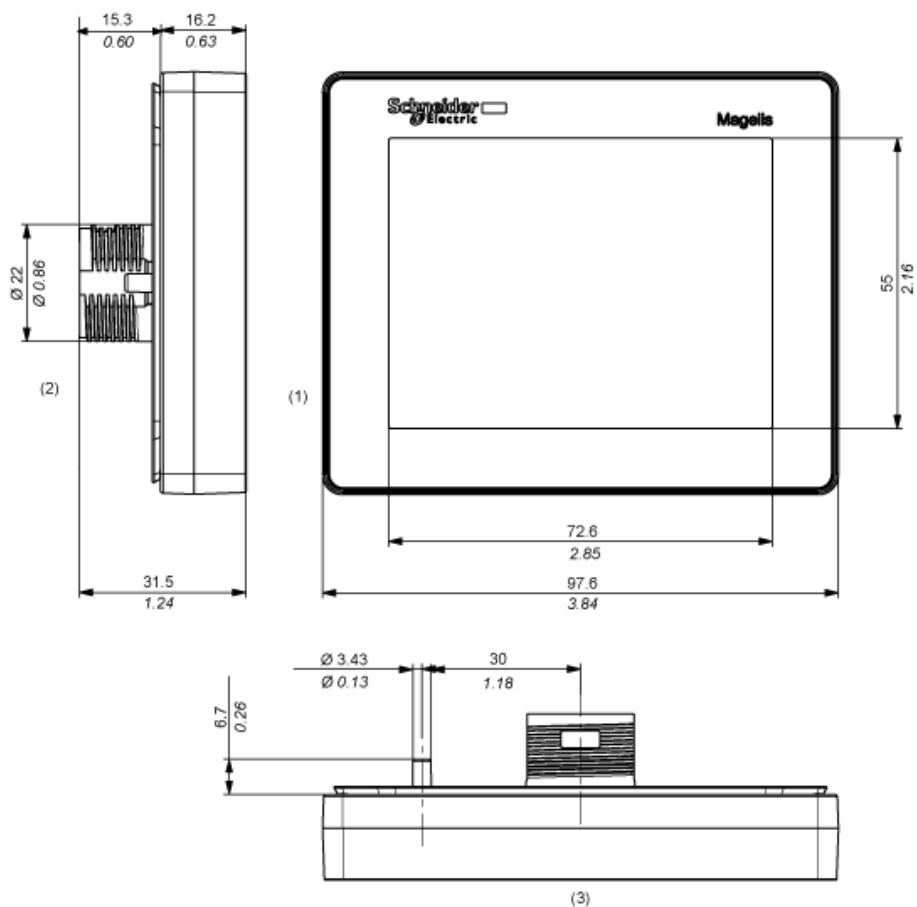


- (1) Front
- (2) Right Side

Display Module

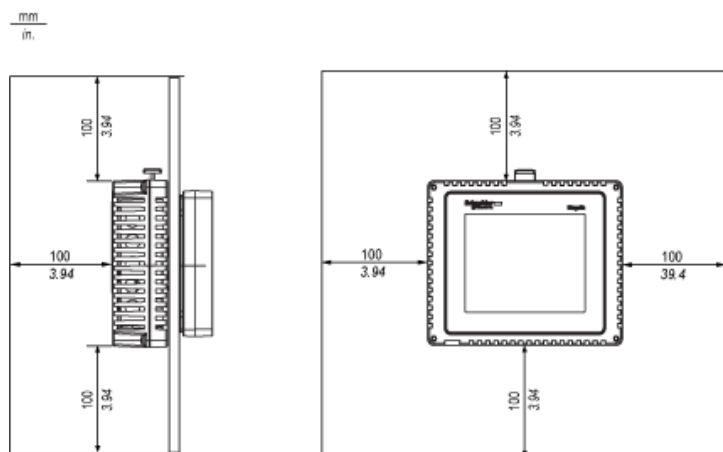
Dimensions

mm
in.

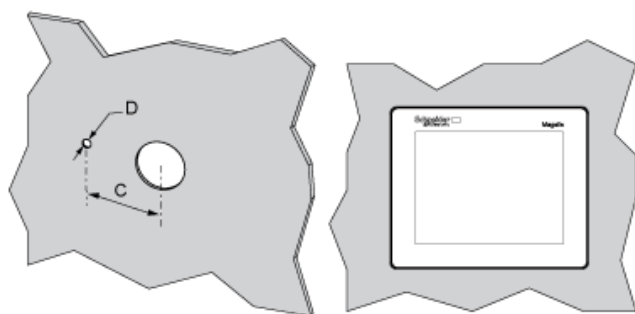


- (1) Front
- (2) Right Side
- (2) Top

Clearance



Panel Cut-out Dimensions



| C (mm) | C (in.) | D (mm) | D (in.) |
|--------|---------|--------|---------|
| +0 | +0 | +0 | +0 |
| 30.00 | 1.18 | 4.00 | 0.15 |
| -0.20 | -0.007 | -0.20 | -0.007 |

NOTE: With the tee option, the rotating torque that can be supported by the display module is 6 Nm (53.10 in-lb).

X-ON Electronics

Largest Supplier of Electrical and Electronic Components

Click to view similar products for [Display Modules](#) category:

Click to view products by [Schneider](#) manufacturer:

Other Similar products are found below :

[P6153-PR](#) [TDP0700T800480PCAP](#) [P6171DPR-DC-RS](#) [P6171DPR-DC-U](#) [MIKROMEDIA 4 FOR STM32F4 CAPACITIVE FPI](#)
[MIKROMEDIA 3 FOR STM32F4 CAPACITIVE FPI](#) [TN0216ANVNANN-GN00](#) [TN0104ANVAANN-GN00](#) [TN0181ANVNANN-GN00](#)
[MIKROMEDIA 5 FOR TIVA CAPACITIVE](#) [MIKROMEDIA 4 FOR TIVA CAPACITIVE](#) [MIKROMEDIA 4 FOR PIC32MZ CAPACITIVE](#)
[RVT43ULFNWC03 V4](#) [SM-RVT101HVBFWCA0](#) [SM-RVT101HVBNWCA0](#) [SM-RVT35HHBFWCA0](#) [SM-RVT35HHBNWCA0](#) [SM-](#)
[RVT43HLBNWCA0](#) [SM-RVT50HQBFWCA0](#) [SM-RVT50HQBNWCA0](#) [SM-RVT70HSBFWCA0](#) [SM-RVT70HSBNWCA0](#) [11769](#)
[MIKROMEDIA FOR DSPIC33](#) [MIKROMEDIA FOR PIC24](#) [MIKROMEDIA FOR PIC32](#) [MIKROMEDIA FOR STELLARIS M3](#)
[MIKROMEDIA HMI 3.5 RES](#) [MIKROMEDIA HMI 5](#) [MIKROMEDIA PLUS FOR FT90X](#) [MIKROMEDIA PLUS FOR PIC32MX7 SHIELD](#)
[MIKROMEDIA PROTO SHIELD](#) [MIKROMEDIA 5 FOR TIVA](#) [MIKROMEDIA 5 FOR TIVA SHIELD](#) [MIKROMEDIA 7 FOR STM32F4](#)
[MIKROMEDIA CONNECT SHIELD](#) [MIKROMEDIA FOR ARM](#) [MIKROMEDIA FOR PSOC5LP](#) [MIKROMEDIA GAMING SHIELD](#)
[MIKROMEDIA HMI 4.3 UXB](#) [MIKROMEDIA HMI 5 RES](#) [MIKROMEDIA HMI 5 UXB](#) [MIKROMEDIA HMI 7](#) [MIKROMEDIA HMI](#)
[BREAKOUT BOARD](#) [RVT70AQFNWC00](#) [18207](#) [PIS-0260](#) [GEN4-ULCD-50D-PI](#) [GEN4-ULCD-70D](#) [GEN4-ULCD-70D-PI](#)