



Main

| | |
|------------------------------|--|
| Range of Product | Zelio Control |
| Product or Component Type | Modular measurement and control relays |
| Relay Type | Temperature control relays |
| Product Specific Application | Packaging Industrial machines HVAC Heating or cooling |
| Relay name | REG |

Complementary

| | |
|-----------------------------|---|
| Outer dimension | 1/16 DIN 48 x 48 mm |
| Analogue input type | Temperature probe Pt 100 Thermocouple thermocouple J, K, R, B, S, T, E, N, PLII Current 4...20 mA Voltage 1...5 V Current 0...20 mA Voltage 0...0.1 V Voltage 0...10 V Voltage 0...5 V Voltage 2...10 V |
| [Us] rated supply voltage | 24 V AC/DC |
| Supply voltage limits | 21.6...26.4 V |
| Measurement accuracy | 0.3 % full scale |
| Sampling duration | 200 ms |
| Number of outputs | 1 analog |
| Output type | Analog 4...20 mA |
| Alarm output | 2 C/O |
| Power consumption in VA | 12 VA 24 V AC/DC |
| Communication Port Protocol | Modbus |
| Method of access | Slave |
| Transmission frame | RTU |
| Physical interface | RS485 non isolated |
| Exchange mode | Half duplex |
| Transmission Rate | 9600, 19200 kbit/s |
| Function Available | Hysteresis on-off Fuzzy logic Auto tuning PID Soft start Ramp 16 steps Manual operation |
| Marking | CE |
| Operating position | Any position |
| Display Type | 7 segments LCD |
| Display digits | 4 |

| | |
|---------------------|--|
| Signalling function | Setpoint value indicator (SV) LED Green Process output 1 active (C1) LED Red Process output 2 active (C2) LED Red Process value indicator (PV) LED Red Process value LCD display Setpoint value LCD display Alarm output 1 active (D01) LED Alarm output 2 active (D02) LED |
| Mounting Support | Panel |

Environment

| | |
|---------------------------------------|--|
| Standards | CSA C22.2 No 24-93 EN 61326-1 EN 61010-1 |
| Product Certifications | GOST CURus (873) |
| Ambient Air Temperature for Storage | -4...140 °F (-20...60 °C) |
| Ambient air temperature for operation | 14...122 °F (-10...50 °C) |
| Relative Humidity | 90 % without condensation |
| Operating altitude | 6561.68 ft (2000 m) |
| Storage altitude | 0.00...9842.52 ft (0...3000 m) |
| Vibration resistance | 1 gn 10...70 Hz)IEC 60068-2-6 |
| Shock resistance | 5 gn IEC 60068-2-27 |
| IP degree of protection | IP66 IEC 60529 front face) IP20 rear) |
| NEMA degree of protection | NEMA 4X front face |

Ordering and shipping details

| | |
|---------------------|--------------------------------------|
| Category | 22380-RELAYS-MEASUREMENT (RM17-RM35) |
| Discount Schedule | CP2 |
| GTIN | 00785901655848 |
| Package weight(Lbs) | 0.45 lb(US) (0.203 kg) |
| Returnability | No |
| Country of origin | JP |

Packing Units

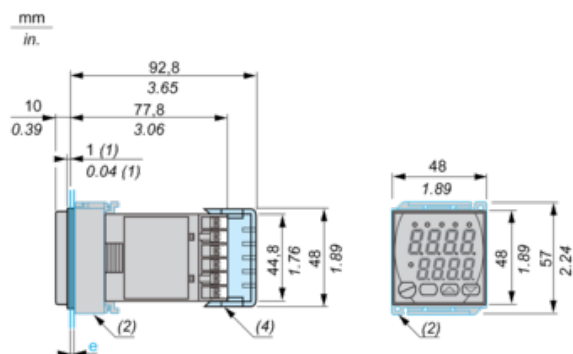
| | |
|------------------|----------|
| Package 1 Height | 0.700 dm |
| Package 1 width | 0.860 dm |
| Package 1 Length | 1.350 dm |

Contractual warranty

| | |
|----------|-----------|
| Warranty | 18 months |
|----------|-----------|

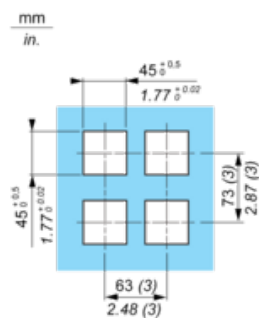
48 x 48 Size – 1/16 DIN Standard

Panel Mounting: Bracket Supplied



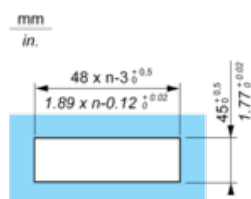
- (1) Seal
- (2) Fixing brackets supplied with REG temperature control relays.
- (4) Terminal block cover, to be ordered separately.

Panel cut-out



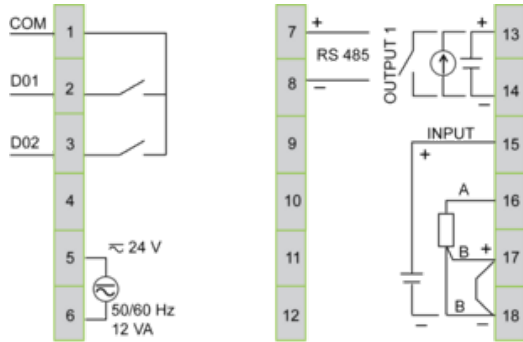
- (3) Minimum value.

Side stick mounting: n units (water-proof property lost in this case)



Temperature Control Relays

Wiring Diagram



X-ON Electronics

Largest Supplier of Electrical and Electronic Components

Click to view similar products for [Controllers](#) category:

Click to view products by [Schneider](#) manufacturer:

Other Similar products are found below :

[61FGPN8DAC120](#) [CV500SLK21](#) [70177-1011](#) [F03-03 HAS C](#) [F03-31](#) [81550401](#) [FT1A-C12RA-W](#) [88981106](#) [H2CAC24A](#) [H2CRSAC110B](#)
[R88A-CRGB003CR-E](#) [R88ARR080100S](#) [R88A-TK01K](#) [DCN1-1](#) [DRT2ID08C](#) [DTB4896VRE](#) [DTB9696CVE](#) [DTB9696LVE](#) [E53-AZ01](#)
[E53E01](#) [E53E8C](#) [E5C4Q40J999FAC120](#) [E5CWLQ1TCAC100240](#) [E5GNQ03PFLKACDC24](#) [B300LKL21](#) [NSCXDC1V3](#) [NSH5-232CW-3M](#)
[NT20SST122BV1](#) [NV-CN001](#) [OAS-160-N](#) [C40PEDRA](#) [K31S6](#) [K33-L1B](#) [K3MA-F](#) [100-240VAC](#) [K3TX-AD31A](#) [89750101](#) [L595020](#)
[SRM1-C02](#) [SRS2-1](#) [FT1A-C14SA-S](#) [G32X-V2K](#) [26546803](#) [26546805](#) [PWRA440A](#) [CPM1AETL03CH](#) [CV500SLK11](#) [3G2A5BI081](#)
[3G2A5IA122](#) [3G2A5LK010E](#) [3G2A5OA223](#)