



## Main

Range of Product	Zelio Control
Product or Component Type	Modular measurement and control relays
Relay Type	Temperature control relays
Product Specific Application	Industrial machines Heating or cooling Packaging HVAC
Relay name	REG

## Complementary

Outer dimension	1/16 DIN 48 x 48 mm
Analogue input type	Temperature probe Pt 100 Thermocouple thermocouple J, K, R, B, S, T, E, N, PLII Current 4...20 mA Voltage 1...5 V Current 0...20 mA Voltage 0...0.1 V Voltage 0...10 V Voltage 0...5 V Voltage 2...10 V
[Us] rated supply voltage	100...240 V AC
Supply voltage limits	85...264 V
Measurement accuracy	0.3 % full scale
Sampling duration	200 ms
Number of outputs	1 relay NO
Output type	Relay 220 V AC 3 A
Alarm output	2 C/O
Power consumption in VA	12 VA 100...240 V AC
Communication Port Protocol	Modbus
Method of access	Slave
Transmission frame	RTU
Physical interface	RS485 non isolated
Exchange mode	Half duplex
Transmission Rate	9600, 19200 kbit/s
Function Available	Ramp 16 steps Fuzzy logic Auto tuning PID Hysteresis on-off Soft start Manual operation
Marking	CE
Operating position	Any position
Display Type	7 segments LCD
Display digits	4

Signalling function	Setpoint value indicator (SV) LED Green Process output 1 active (C1) LED Red Alarm output 1 active (D01) LED Green Alarm output 2 active (D02) LED Green Process output 2 active (C2) LED Red Process value indicator (PV) LED Red Process value LCD display Setpoint value LCD display
Mounting Support	Panel

## Environment

Standards	CSA C22.2 No 24-93 EN 61010-1 EN 61326-1
Product Certifications	GOST CURus (873)
Ambient Air Temperature for Storage	-4...140 °F (-20...60 °C)
Ambient air temperature for operation	14...122 °F (-10...50 °C)
Relative Humidity	90 % without condensation
Operating altitude	6561.68 ft (2000 m)
Storage altitude	0.00...9842.52 ft (0...3000 m)
Vibration resistance	1 gn 10...70 Hz)IEC 60068-2-6
Shock resistance	5 gn IEC 60068-2-27
IP degree of protection	IP66 IEC 60529 front face) IP20 rear)
NEMA degree of protection	NEMA 4X front face

## Ordering and shipping details

Category	22380-RELAYS-MEASUREMENT (RM17-RM35)
Discount Schedule	CP2
GTIN	00785901676195
Package weight(Lbs)	0.45 lb(US) (0.204 kg)
Returnability	No
Country of origin	JP

## Packing Units

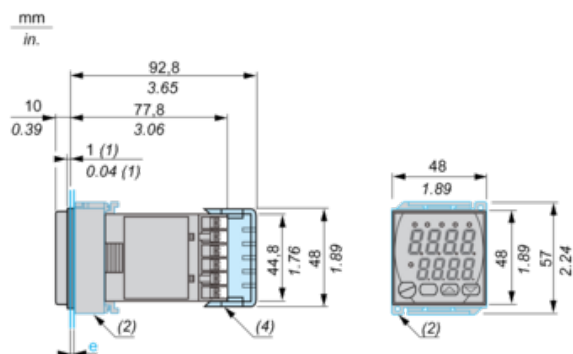
Package 1 Height	0.700 dm
Package 1 width	0.850 dm
Package 1 Length	1.370 dm

## Contractual warranty

Warranty	18 months
----------	-----------

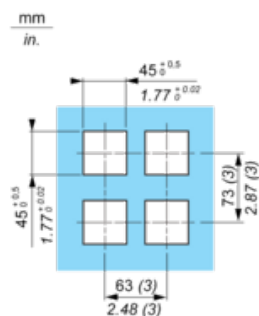
48 x 48 Size – 1/16 DIN Standard

Panel Mounting: Bracket Supplied



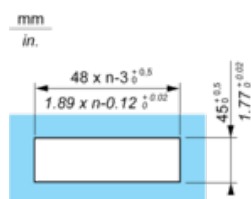
- (1) Seal
- (2) Fixing brackets supplied with REG temperature control relays.
- (4) Terminal block cover, to be ordered separately.

Panel cut-out



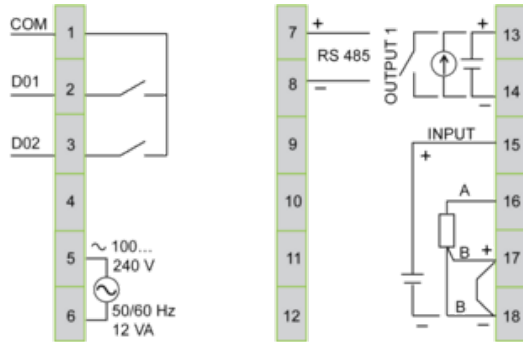
- (3) Minimum value.

Side stick mounting: n units (water-proof property lost in this case)



## Temperature Control Relays

### Wiring Diagram



## X-ON Electronics

Largest Supplier of Electrical and Electronic Components

*Click to view similar products for [Controllers](#) category:*

*Click to view products by [Schneider](#) manufacturer:*

Other Similar products are found below :

[61FGPN8DAC120](#) [CV500SLK21](#) [70177-1011](#) [F03-03 HAS C F03-31](#) [81550401](#) [FT1A-C12RA-W](#) [88981106](#) [H2CAC24A](#) [H2CRSAC110B](#)  
[R88A-CRGB003CR-E](#) [R88ARR080100S](#) [R88A-TK01K](#) [DCN1-1](#) [DRT2ID08C](#) [DTB4896VRE](#) [DTB9696CVE](#) [DTB9696LVE](#) [E53-AZ01](#)  
[E53E01](#) [E53E8C](#) [E5C4Q40J999FAC120](#) [E5CWLQ1TCAC100240](#) [E5GNQ03PFLKACDC24](#) [B300LKL21](#) [NSCXDC1V3](#) [NSH5-232CW-3M](#)  
[NT20SST122BV1](#) [NV-CN001](#) [OAS-160-N](#) [C40PEDRA](#) [K31S6](#) [K33-L1B](#) [K3MA-F 100-240VAC](#) [K3TX-AD31A](#) [89750101](#) [L595020](#)  
[SRM1-C02](#) [SRS2-1](#) [G32X-V2K](#) [26546803](#) [26546805](#) [PWRA440A](#) [CPM1AETL03CH](#) [CV500SLK11](#) [3G2A5BI081](#) [3G2A5IA122](#)  
[3G2A5LK010E](#) [3G2A5OA223](#) [3G2A5OD211](#)