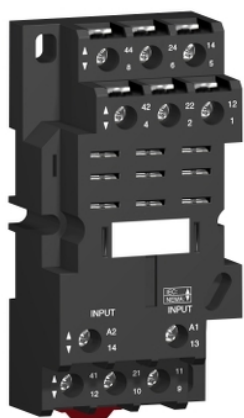


RPZF3

socket RPZ - mixed contact - 16 A - < 250 V -
screw clamp - for relay RPM3

Product availability: Stock - Normally stocked in distribution facility



Main

Range of product	Zelio Relay
Product or component type	Socket
Contact terminal arrangement	Mixed
Product compatibility	Plug-in relay RPM (3 C/O)
Shape of pin	Flat
Device short name	RPZ
Sale per indivisible quantity	10

Complementary

[I _{th}] conventional free air thermal current	15 A
System Voltage	< 250 V
Tightening torque	< 1 N.m (M3.5 screw(s))
Fixing mode	By screw mounting on panel Clip-on mounting on 35 mm symmetrical DIN rail
Marking	CE
Width	1.57 in (40 mm)
Product weight	0.16 lb(US) (0.072 kg)

Environment

Connections - terminals	- screw clamp terminals, flexible cable with cable end 1 x 0.25...2 x 1 mm ² / AWG 22...AWG 17 - screw clamp terminals, solid cable without cable end 1 x 0.5...2 x 1.5 mm ² / AWG 20...AWG 16
Standards	IEC 61984
Product certifications	UL CSA
Ambient air temperature for storage	-40...185 °F (-40...85 °C)
Ambient air temperature for operation	-40...131 °F (-40...55 °C)
IP degree of protection	IP20 conforming to EN/IEC 60529
Dielectric strength	2500 V

Ordering and shipping details

Category	21128 - ZELIO ICE CUBE RELAY ACCESSORIES
Discount Schedule	CP2
GTIN	00785901635659
Nbr. of units in pkg.	10
Package weight(Lbs)	0.16
Returnability	Y
Country of origin	TW

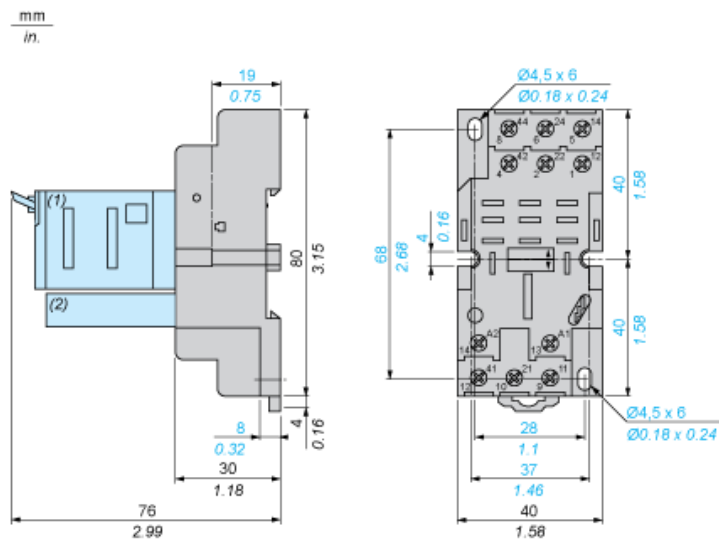
Offer Sustainability

California proposition 65	WARNING: This product can expose you to chemicals including:
----- Substance 1	Nickel compounds, which is known to the State of California to cause cancer, and
----- Substance 2	Di-isodecyl phthalate (DIDP), which is known to the State of California to cause birth defects or other reproductive harm.
----- More information	For more information go to www.p65warnings.ca.gov

Contractual warranty

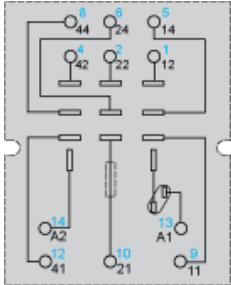
Warranty period	18 months
-----------------	-----------

Dimensions



- (1) Relays
- (2) Protection module
- (3) Maintaining clamp

Wiring Diagram



Symbols shown in blue correspond to Nema marking.

X-ON Electronics

Largest Supplier of Electrical and Electronic Components

Click to view similar products for [Relay Sockets & Fixings](#) category:

Click to view products by [Schneider](#) manufacturer:

Other Similar products are found below :

[00008258500](#) [00111976502](#) [0000-825-81-00](#) [60SY4S05](#) [M41G](#) [670-0125](#) [670-0127](#) [6700152](#) [670-0153](#) [6700156](#) [D258-2TS00](#) [70-309](#) [7-1393143-3](#) [7-1616360-5](#) [8000-DG2-5](#) [911361](#) [9-1616339-5](#) [PJF11N](#) [GDA12HA](#) [GDA12HD](#) [GDA12SA](#) [GDA12SD](#) [GDA16HD](#) [GDA22HA](#) [GDA95A](#) [GDA95D](#) [GFX20](#) [PT08QN](#) [PT 1/8 D = 3.2](#) [GUA1](#) [GUA2-11](#) [GUA4-04](#) [GUA4-31](#) [GUM5R](#) [GUR-120](#) [GUR-24](#) [GUR-240](#) [GUR-277](#) [GURX-277](#) [GUW12](#) [GUW95](#) [GUZ63L](#) [R99-11 FOR MY\(NAMEPLATE\)](#) [D52PR2T](#) [RES100K](#) [1310H-HDC](#) [1390H-1ST](#) [1393824-3](#) [1390H-2PC](#) [1410-2SM](#)