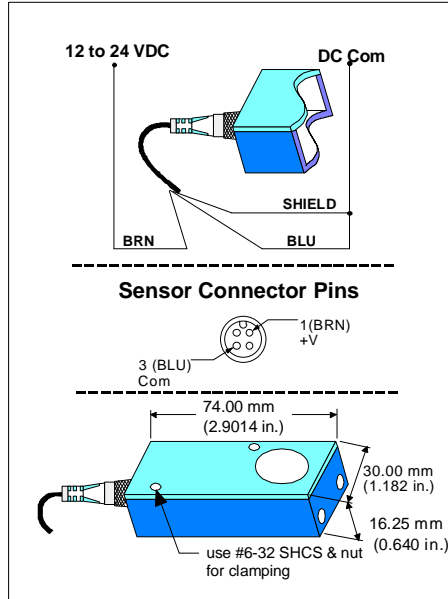


Mounting / Alignment

Mount the sensor so that both transmitter and receiver are aligned opposite each other. The Receiver's amber LED is ON when sonic energy is detected from the transmitter.

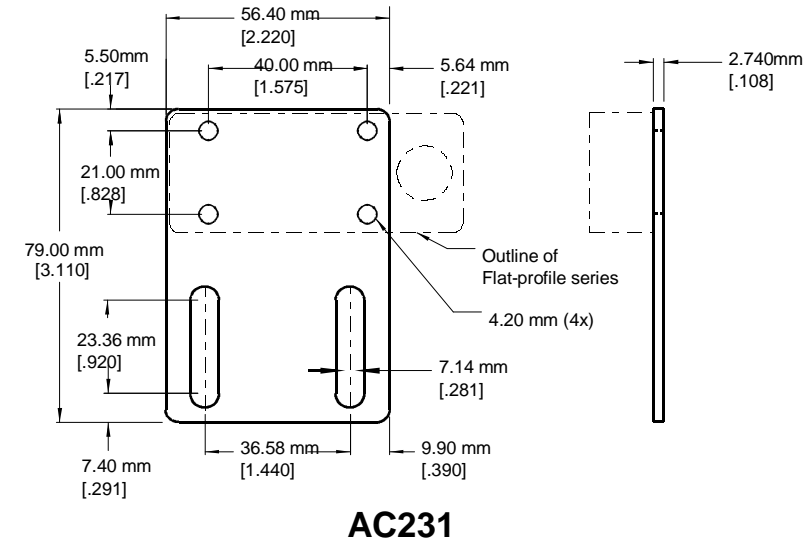
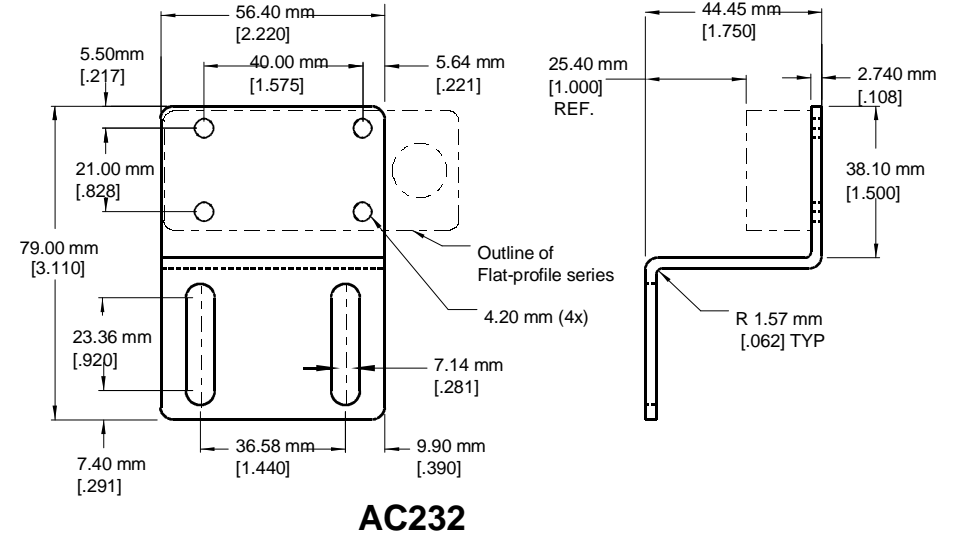
Wiring Connections, Connector Model



Accessories

Model AC128 2-conductor connector / cable- 5 meters (16 ft)
 Model AC231 Mounting Bracket, Straight
 Model AC232 Mounting Bracket, S-Shaped

Mounting Bracket Dimensions



General Specifications

Power Supply:

Supply Voltage: +12 to 24 VDC
 Transmitter Current: 40 mA max.
 Protection: ESD and reverse-polarity

Temperature:

Operating Temperature: 0°C to 60°C (32°F to 140°F), @ 100% relative humidity
 Storage Temperature: -10°C to 80°C (14°F to 176°F)

Sensing Range:

See table in operation figure

Dimensions:

74.00 mm (2.913) x 30.00 mm (1.182) x 16.25 mm (.640)

Cable:

Model No. AC128 - 5 meters (16 ft)
 (Must be purchased separately)

Materials:

Housing: PEI
 Transducer face: Silicone-rubber
 Cable: Non-toxic PVC jacket
 LEDs: Polycarbonate

Environmental Ratings:

NEMA 4X (Indoor Use Only) 5, 12, 12K, 13, and IP67

Installation/Overtoltage Category: II

CE Mark Compliant: Declaration of conformity available upon request.

This Product is UL Listed if powered by a Class II Power Supply and protected by a 2.0A Max UL Listed Fuse

MICROSONIC®

SM850A-24-00FP

Flat Profile Thru-Beam Transmitter

Connector Style

Compatible Receiver: SM8X1A-24-XXFP, SM8X1A-40-XXFP



OPERATOR INSTRUCTIONS

This Hyde Park ultrasonic, thru-beam transmitter, when paired with a compatible receiver is capable of sensing nearly any object, even transparent materials such as glass, plastic, and clear film. Objects as small as 12.5 mm (0.50 in.) diameter or larger can be detected at speeds in excess of 2000 parts per minute.

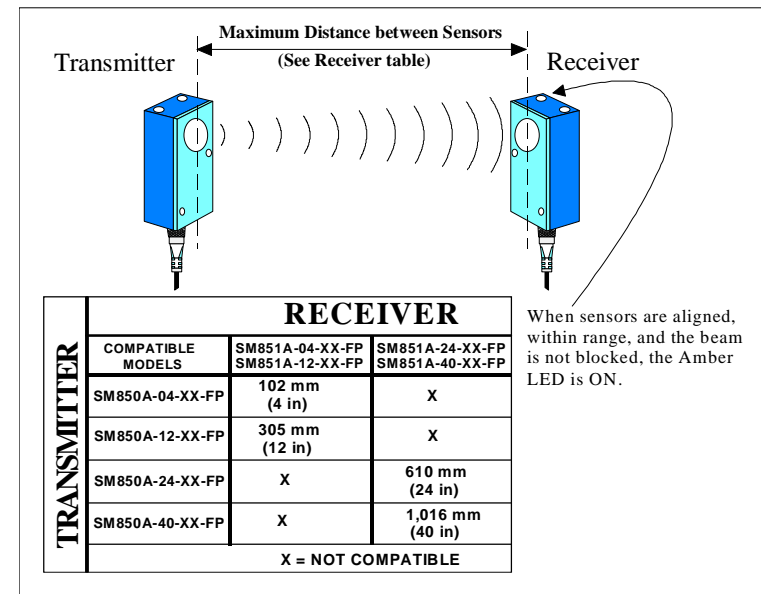


Figure 1.

Indicator LED's

No LED's on Transmitter.

Literature and application engineering assistance are provided by Hyde Park and its authorized distributors to aid the customer in selecting the product for an application. The customer, however, is responsible for determining the suitability of the product in the application.

LIMITATIONS AND EXCLUSION OF WARRANTIES

All goods purchased from Hyde Park Electronics LLC shall be free from defects in materials, design and workmanship under normal conditions of use for one year from the date of shipment. THIS WARRANTY IS THE SOLE WARRANTY AND IS EXPRESSLY IN LIEU OF ALL OTHER WARRANTIES, EXPRESS OR IMPLIED, INCLUDING BUT NOT LIMITED TO ANY IMPLIED WARRANTY OF MERCHANTABILITY OF FITNESS FOR A PARTICULAR PURPOSE. THE LIABILITY OF HYDE PARK TO ANY PURCHASER SHALL BE LIMITED EXCLUSIVELY TO THE COST OF REPLACEMENT OR REPAIR OF DEFECTIVE PARTS, AND SHALL NOT INCLUDE LIABILITY FOR ANY DIRECT, CONSEQUENTIAL OR INCIDENTAL DAMAGES WHATSOEVER, WHETHER FORESEEN OR UNFORESEEN, INCLUDING BUT NOT LIMITED TO LOST PROFITS, LOST SALES, OR INJURY TO PERSONS OR PROPERTY.

HYDE PARK ELECTRONICS LLC

1875 Founders Drive
 Dayton, Ohio 45420-4017
 Phone (937) 252-2121 Fax (937) 258-5830
 Email: help@sesensors.com
 Web Site: http://www.sesensors.com

© 1997-2008 Hyde Park Electronics LLC

X-ON Electronics

Largest Supplier of Electrical and Electronic Components

Click to view similar products for [Proximity Sensors](#) category:

Click to view products by [Schneider](#) manufacturer:

Other Similar products are found below :

[01.001.5653.1](#) [70.340.1028.0](#) [70.360.2428.0](#) [70.364.4828.0](#) [70.810.1053.0](#) [72.360.1628.0](#) [73.363.6428.0](#) [8027AL20NL2CPXX](#) [FYCC8E1-2](#)
[9221350022](#) [922AA2W-A9P-L](#) [PLS2](#) [GL-12F-C2.5X10\(LOT3\)](#) [972AB2XM-A3N-L](#) [972AB3XM-A3P-L](#) [PS3251](#) [980659-1](#) [QT-12](#) [E2E2-](#)
[X5M41-M4](#) [E2E-X14MD1-G](#) [E2E-X2D1-G](#) [E2EX2ME2N](#) [E2EX3D1SM1N](#) [E2E-X4MD1-G](#) [E2E-X5E1-5M-N](#) [E2E-X5Y2-N](#) [E2E-X7D1-](#)
[M1J-T-0.3M-N](#) [E2FMX1R5D12M](#) [E2K-F10MC1](#) [5M](#) [EH-302](#) [EI3010TBOP](#) [EI5515NPAP](#) [MS605AU](#) [EP175-32000](#) [IFRM04N35B1/L](#)
[IFRM04P1513/S35L](#) [IFRM06P1703/S35L](#) [IFRM08P1501/S35L](#) [IFRM12N17G3/L](#) [IFRM12P17G3/L](#) [IFRM12P3502/L](#) [IFRM12P37G1/S14L](#)
[ILFK12E9189/I02](#) [ILFK12E9193/I02](#) [IMM2582C](#) [OISN-013](#) [25.161.3253.0](#) [25.332.0653.1](#) [25.352.0653.0](#) [25.352.0753.0](#)