

# SR2COM01

communication interface - for smart relay Zelio Logic

Product availability: Stock - Normally stocked in distribution facility



## Main

Range of product	Zelio Logic
Product or component type	Modem communication interface
Data backed up	Flash memory

## Complementary

Kit composition	1 x SR2CBL07 Modem communication interface
Product compatibility	SR.B..... SR2E.....
Function available	Update firmware monitoring Transfer program Send alarm/receive instruction Send alarm to e-mail address
Number of messages	<= 28
Electrical data recording	Discrete and digital value Telephone/E-mail Date and time
[Us] rated supply voltage	12...24 V DC
Supply voltage limits	10...28.8 V
Supply current	<= 550 A 30 mA 12 V 30 mA 24 V
Power dissipation in W	1.1 W
Reverse polarity protection	With
Associated fuse rating	1 A
Electrical connection	1 cable Com-M specific to Zelio, RS232 serial, specific Zelio communication protocol link with the modem, AT commands 1 cable Com-Z specific to Zelio, specific Zelio communication protocol Zelio Logic smart relays SR.B..... and SR2 E..... Version (>= V3.1)
Insulation	1780 V optocoupler, connector type: Com-Z specific to Zelio By the cable SR2 CBL07, connector type: Com-M specific to Zelio
Connections - terminals	Screw terminals, 1 x 0.25...1 x 2.5 mm <sup>2</sup> , AWG 24...AWG 14, flexible cable with cable end Screw terminals, 2 x 0.25...2 x 0.75 mm <sup>2</sup> , AWG 24...AWG 18, flexible cable with cable end Screw terminals, 1 x 0.2...1 x 2.5 mm <sup>2</sup> , AWG 25...AWG 14, semi-solid cable Screw terminals, 1 x 0.2...1 x 2.5 mm <sup>2</sup> , AWG 25...AWG 14, solid cable Screw terminals, 2 x 0.2...2 x 1.5 mm <sup>2</sup> , AWG 24...AWG 16, solid cable
Tightening torque	4.42 lbf.in (0.5 N.m)
Product weight	0.44 lb(US) (0.2 kg)

The information provided in this documentation contains general descriptions and/or technical characteristics of the performance of the products contained herein. This documentation is not intended as a substitute for and is not to be used for determining suitability or reliability of these products for specific user applications. It is the duty of any such user or integrator to perform the appropriate and complete risk analysis, evaluation and testing of the products with respect to the relevant specific application or use thereof. Neither Schneider Electric Industries SAS nor any of its affiliates or subsidiaries shall be responsible or liable for misuse of the information contained herein.

## Environment

Product certifications	CSA GOST C-Tick UL
Standards	EN/IEC 61000-4-5 EN/IEC 60068-2-6 Fc EN/IEC 61000-4-3 EN/IEC 61000-4-6 level 3 EN/IEC 60068-2-27 Ea EN/IEC 61000-4-2 level 3 EN/IEC 61000-4-4 level 3 EN/IEC 61000-4-11 EN/IEC 61000-4-12
IP degree of protection	IP20 (terminal block) conforming to IEC 60529 IP40 (front panel) conforming to IEC 60529
Environmental characteristic	EMC directive conforming to EN/IEC 61000-6-2 EMC directive conforming to EN/IEC 61000-6-3 EMC directive conforming to EN/IEC 61000-6-4 EMC directive conforming to EN/IEC 61131-2 zone B Low voltage directive conforming to EN/IEC 61131-2
Disturbance radiated/conducted	Class B conforming to EN 55022-11 group 1
Pollution degree	2 conforming to EN/IEC 61131-2
Ambient air temperature for operation	-4...131 °F (-20...55 °C) conforming to IEC 60068-2-1 and IEC 60068-2-2 -4...104 °F (-20...40 °C) conforming to IEC 60068-2-1 and IEC 60068-2-2
Ambient air temperature for storage	-40...158 °F (-40...70 °C)
Operating altitude	6561.68 ft (2000 m)
Altitude transport	<= 10000 ft (3048 m)
Relative humidity	95 % without condensation or dripping water

## Ordering and shipping details

Category	22378 - SR2,3 ZELIO 2 RELAYS
Discount Schedule	I
GTIN	00785901422457
Nbr. of units in pkg.	1
Package weight(Lbs)	0.46000000000000002
Returnability	Y
Country of origin	FR

## Offer Sustainability

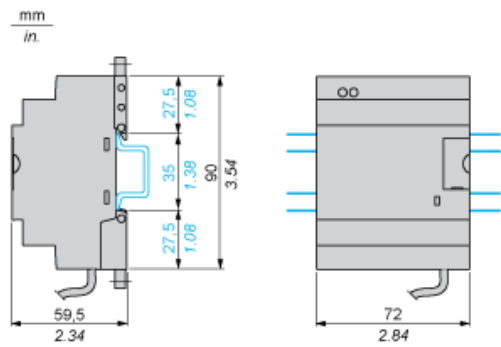
California proposition 65	WARNING: This product can expose you to chemicals including:
----- Substance 1	Lead and lead compounds, which is known to the State of California to cause cancer and birth defects or other reproductive harm.
----- More information	For more information go to <a href="http://www.p65warnings.ca.gov">www.p65warnings.ca.gov</a>

## Contractual warranty

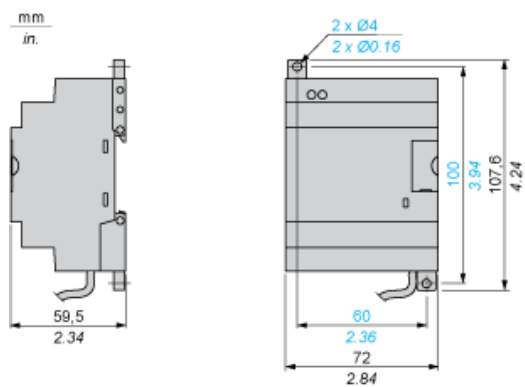
Warranty period	18 months
-----------------	-----------

Communication Interface

Rail Mounting



Screw Mounting (Retractable Lugs)



## X-ON Electronics

Largest Supplier of Electrical and Electronic Components

*Click to view similar products for [Relay Sockets & Fixings](#) category:*

*Click to view products by [Schneider](#) manufacturer:*

Other Similar products are found below :

[00008258500](#) [00111976502](#) [0000-825-81-00](#) [60SY4S05](#) [M41G](#) [670-0125](#) [670-0127](#) [6700152](#) [670-0153](#) [6700156](#) [D258-2TS00](#) [70-309](#) [7-1393143-3](#) [7-1616360-5](#) [8000-DG2-5](#) [911361](#) [9-1616339-5](#) [PJF11N](#) [GDA12HA](#) [GDA12HD](#) [GDA12SA](#) [GDA12SD](#) [GDA16HD](#) [GDA22HA](#) [GDA95A](#) [GDA95D](#) [GFX20](#) [PT08QN](#) [PT 1/8 D = 3.2](#) [GUA1](#) [GUA2-11](#) [GUA4-04](#) [GUA4-31](#) [GUM5R](#) [GUR-120](#) [GUR-24](#) [GUR-240](#) [GUR-277](#) [GURX-277](#) [GUW12](#) [GUW95](#) [GUZ63L](#) [R99-11 FOR MY\(NAMEPLATE\)](#) [D52PR2T](#) [RES100K](#) [1310H-HDC](#) [1390H-1ST](#) [1393824-3](#) [1390H-2PC](#) [1410-2SM](#)