

Product availability: Stock - Normally stocked in distribution facility



Main

Range of product	Zelio Logic
Product or component type	Analogue I/O extension module

Complementary

Analogue input number	2
Analogue input type	Common mode
Analogue input range	0...10 V 0...20 mA -25...125 °C
Temperature probe type	Pt 100, 3-wire conforming to IEC 751
Maximum permissible voltage	30 V analogue input circuit
[Imp] maximum permanent current	30 mA analogue input circuit
Analogue input resolution	10 bits on the input range
Input impedance	18 kOhm, input range: 0...10 V analogue input circuit 247 Ohm, input range: 0...20 mA for analogue input circuit
Analogue output number	2
Analogue output range	0...10 V
Analogue output resolution	10 bits on the output range
Load type	Resistive load analogue output
Maximum load current	10 mA analogue output
Short-circuit protection	With analogue output
LSB value	0.15 °C, - 25...125 °C analogue input circuit 20 µA, 0...20 mA analogue input circuit 9.8 mV, 0...10 V analogue input circuit 9.8 mV, 0...10 V analogue output
Conversion time	Smart relay cycle time analogue input circuit Smart relay cycle time analogue output
Conversion error	+/- 1 % of the full scale value, input range: 0...10 V (77 °F (25 °C))for analogue output +/- 1 % of the full scale value, input range: 0...10 V (131 °F (55 °C))for analogue output +/- 1 %, input range: 0...10 V (77 °F (25 °C))for analogue input circuit +/- 1 %, input range: 0...10 V (131 °F (55 °C))for analogue input circuit +/- 1 %, input range: 0...20 mA (77 °F (25 °C))for analogue input circuit +/- 1 %, input range: 0...20 mA (131 °F (55 °C))for analogue input circuit +/- 1.5 °C, input range: - 25...125 °C (77 °F (25 °C))for analogue input circuit +/- 1.5 °C, input range: - 25...125 °C (131 °F (55 °C))for analogue input circuit
Repeat accuracy	< +/- 0.3 °C, input range: - 25...125 °C at 77 °F (25 °C)for analogue input circuit <= +/- 1 %, input range: 0...10 V at 77 °F (25 °C)for analogue input circuit <= +/- 1 %, input range: 0...10 V at 131 °F (55 °C)for analogue output <= +/- 1 %, input range: 0...20 mA at 77 °F (25 °C)for analogue input circuit
Operating distance	10 m with screened cable analogue input circuit 10 m with screened cable analogue output
Reverse polarity protection	With analogue input circuit

Connections - terminals	Screw terminals, 1 x 0.25...1 x 2.5 mm ² , AWG 24...AWG 14, semi-solid cable Screw terminals, 1 x 0.25...1 x 2.5 mm ² , AWG 24...AWG 14, solid cable Screw terminals, 2 x 0.25...2 x 1.5 mm ² , AWG 23...AWG 16, solid cable Screw terminals, 1 x 0.25...1 x 2.5 mm ² , AWG 24...AWG 14, flexible cable with cable end Screw terminals, 2 x 0.25...2 x 0.75 mm ² , AWG 24...AWG 18, flexible cable with cable end
Tightening torque	4.42 lbf.in (0.5 N.m)
Product weight	0.24 lb(US) (0.11 kg)

Environment

Product certifications	UL C-Tick CSA GOST
Standards	EN/IEC 61000-4-11 EN/IEC 60068-2-27 Ea EN/IEC 61000-4-4 level 3 EN/IEC 61000-4-5 EN/IEC 61000-4-2 level 3 EN/IEC 60068-2-6 Fc EN/IEC 61000-4-3 EN/IEC 61000-4-12 EN/IEC 61000-4-6 level 3
IP degree of protection	IP20 (terminal block) conforming to IEC 60529 IP40 (front panel) conforming to IEC 60529
Environmental characteristic	EMC directive conforming to EN/IEC 61000-6-2 EMC directive conforming to EN/IEC 61000-6-3 EMC directive conforming to EN/IEC 61000-6-4 EMC directive conforming to EN/IEC 61131-2 zone B Low voltage directive conforming to EN/IEC 61131-2
Disturbance radiated/conducted	Class B conforming to EN 55022-11 group 1
Pollution degree	2 conforming to EN/IEC 61131-2
Ambient air temperature for operation	-4...131 °F (-20...55 °C) conforming to IEC 60068-2-1 and IEC 60068-2-2 -4...104 °F (-20...40 °C) conforming to IEC 60068-2-1 and IEC 60068-2-2
Ambient air temperature for storage	-40...158 °F (-40...70 °C)
Operating altitude	6561.68 ft (2000 m)
Altitude transport	<= 10000 ft (3048 m)
Relative humidity	95 % without condensation or dripping water

Ordering and shipping details

Category	22378 - SR2,3 ZELIO 2 RELAYS
Discount Schedule	I
GTIN	00785901557289
Nbr. of units in pkg.	1
Package weight(Lbs)	0.26000000000000001
Returnability	Y
Country of origin	FR

Offer Sustainability

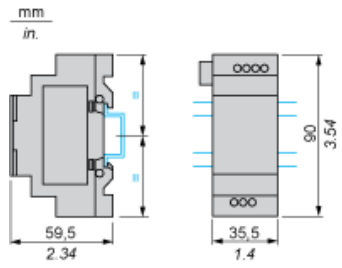
California proposition 65	WARNING: This product can expose you to chemicals including:
----- Substance 1	Lead and lead compounds, which is known to the State of California to cause cancer and birth defects or other reproductive harm.
----- More information	For more information go to www.p65warnings.ca.gov

Contractual warranty

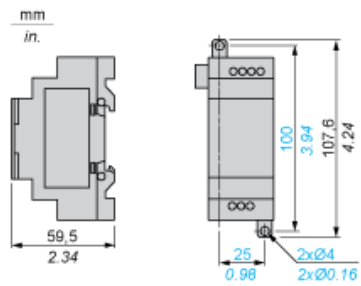
Warranty period	18 months
-----------------	-----------

Analog I/O Extension Modules

Mounting on 35 mm/1.38 in. DIN Rail



Screw Fixing (Retractable Lugs)

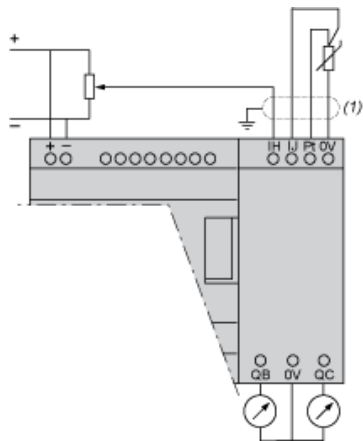


Connection of Smart Relays on DC Supply, with Analog I/O Extension Module

Connection Alternatives

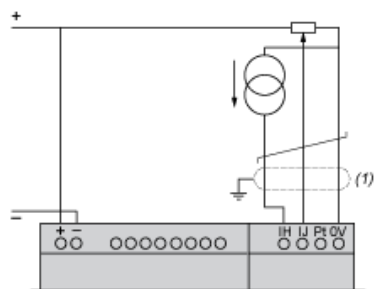
0 - 10 V	0 - 20 mA	Pt100
2	0	0
1	1	0
0	2	0
1	0	1
0	1	1

Application Example with 1 x 0 - 10 V Input and 1 x Pt100 Input



(1) Screened cables, maximum length 10 m/32.80 ft.

Application Example with 1 x 0 - 20 mA Input and 1 x 0 - 10 V Input



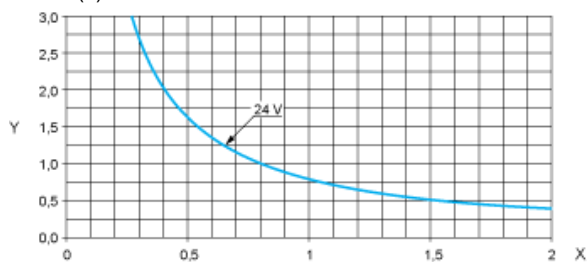
(1) Screened cables, maximum length 10 m/32.80 ft.

Compact and Modular Smart Relays

Electrical Durability of Relay Outputs

(in millions of operating cycles, conforming to IEC/EN 60947-5-1)

DC-12 (1)

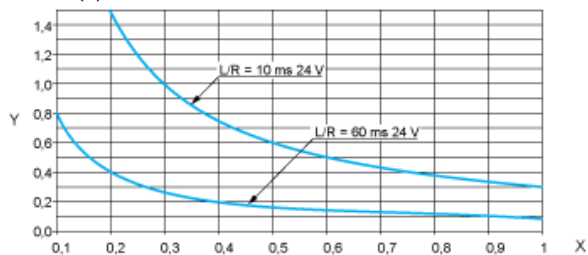


X: Current (A)

Y: Millions of operating cycles

(1) DC-12: control of resistive loads and of solid state loads isolated by opto-coupler, $L/R \leq 1$ ms.

DC-13 (1)



X: Current (A)

Y: Millions of operating cycles

(1) DC-13: switching electromagnets, $L/R \leq 2 \times (U_e \times I_e)$ in ms, U_e : rated operational voltage, I_e : rated operational current (with a protection diode on the load, DC-12 curves must be used with a coefficient of 0.9 applied to the number in millions of operating cycles).

X-ON Electronics

Largest Supplier of Electrical and Electronic Components

Click to view similar products for [Controllers](#) category:

Click to view products by [Schneider](#) manufacturer:

Other Similar products are found below :

[61FGPN8DAC120](#) [CV500SLK21](#) [70177-1011](#) [F03-03 HAS C](#) [F03-31](#) [81550401](#) [FT1A-C12RA-W](#) [88981106](#) [H2CAC24A](#) [H2CRSAC110B](#)
[R88A-CRGB003CR-E](#) [R88ARR080100S](#) [R88A-TK01K](#) [DCN1-1](#) [DRT2ID08C](#) [DTB4896VRE](#) [DTB9696CVE](#) [DTB9696LVE](#) [E53-AZ01](#)
[E53E01](#) [E53E8C](#) [E5C4Q40J999FAC120](#) [E5CWLQ1TCAC100240](#) [E5GNQ03PFLKACDC24](#) [B300LKL21](#) [NSCXDC1V3](#) [NSH5-232CW-3M](#)
[NT20SST122BV1](#) [NV-CN001](#) [OAS-160-N](#) [C40PEDRA](#) [K31S6](#) [K33-L1B](#) [K3MA-F](#) [100-240VAC](#) [K3TX-AD31A](#) [89750101](#) [L595020](#)
[SRM1-C02](#) [SRS2-1](#) [FT1A-C14SA-S](#) [G32X-V2K](#) [26546803](#) [26546805](#) [PWRA440A](#) [CPM1AETL03CH](#) [CV500SLK11](#) [3G2A5BI081](#)
[3G2A5IA122](#) [3G2A5LK010E](#) [3G2A5OA223](#)