



Main

Range of Product	Harmony Relay
Product or Component Type	Solid state relay
Device short name	SSLM
Phase	1 phase

Complementary

Mounting Support	Symmetrical DIN rail
Line Rated Current	0.1 A
Output voltage	4...28 V DC
[Uc] control circuit voltage	4...28 V DC
Contacts type and configuration	1 NC
CLAMPING FORCE	0.6...0.8 N.m
Connections - terminals	Screw terminals, 1 x 0.2...1 x 5.26 mm ² AWG 24...AWG 10)
Switching voltage	4 V DC turn-on
Load current	0.1 A
Maximum voltage drop	<0.5 V on-state
Response time	30 μs (turn-on) 60 μs (turn-off)
Oversoltage category	III
Width	0.30 in (7.5 mm)
Height	3.15 in (80 mm)
Depth	2.48 in (63 mm)
Net Weight	0.07 lb(US) (0.03 kg)

Environment

Dielectric strength	4000 V for input/output
Pollution degree	2
Product Certifications	UL EAC CSA
Marking	CSA UL EAC CE
Ambient air temperature for operation	32...158 °F (0...70 °C)

Ordering and shipping details

Category	21127 - ZELIO ICE CUBE RELAYS
Discount Schedule	CP2
GTIN	3606485441757
Nbr. of units in pkg.	1
Package weight(Lbs)	1.09 oz (31 g)
Returnability	No
Country of origin	MX

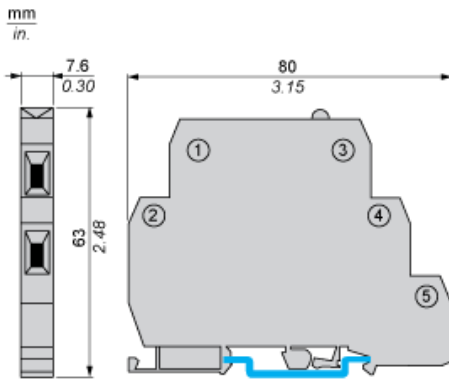
Packing Units

Unit Type of Package 1	PCE
Package 1 Height	2.36 in (6 cm)
Package 1 width	0.30 in (0.75 cm)
Package 1 Length	3.15 in (8 cm)
Unit Type of Package 2	BB1
Number of Units in Package 2	12
Package 2 Weight	15.94 oz (452 g)
Package 2 Height	2.95 in (7.5 cm)
Package 2 width	4.33 in (11 cm)
Package 2 Length	4.37 in (11.1 cm)
Unit Type of Package 3	S01
Number of Units in Package 3	48
Package 3 Weight	4.45 lb(US) (2.017 kg)
Package 3 Height	5.91 in (15 cm)
Package 3 width	5.91 in (15 cm)
Package 3 Length	15.75 in (40 cm)

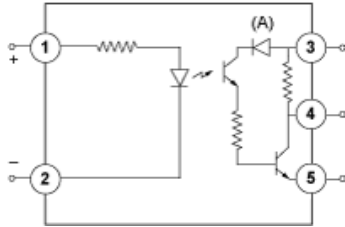
Offer Sustainability

Sustainable offer status	Green Premium product
California proposition 65	WARNING: This product can expose you to chemicals including: Nickel compounds, which is known to the State of California to cause cancer, and Di-isodecyl phthalate (DIDP), which is known to the State of California to cause birth defects or other reproductive harm. For more information go to www.P65Warnings.ca.gov
REACH Regulation	REACH Declaration
EU RoHS Directive	Pro-active compliance (Product out of EU RoHS legal scope) EU RoHS Declaration
Mercury free	Yes
RoHS exemption information	Yes
China RoHS Regulation	China RoHS Declaration
Environmental Disclosure	Product Environmental Profile
Circularity Profile	End Of Life Information

Dimensions



Wiring Diagram



- 1,2 : Field VDC
- 3 : Vcc
- 4 : Logic
- 5 : Ground
- (A) LED

X-ON Electronics

Largest Supplier of Electrical and Electronic Components

Click to view similar products for [Solid State Relays - Industrial Mount](#) category:

Click to view products by [Schneider](#) manufacturer:

Other Similar products are found below :

[D2440-C](#) [H10CA4890](#) [D4875C](#) [1395831-1](#) [1616010-6](#) [BR312BY](#) [A-1326](#) [H10CA4850](#) [H12CA4890VL](#) [RA2410-D06](#) [RA2410HA06T](#)
[D1202F](#) [D53TP50-10](#) [W230E-1-12](#) [W230T-3-12](#) [1-1617030-3](#) [1-1617033-7](#) [MS2-D2420](#) [MS2-D2430](#) [A-1440](#) [RJ1P60V50E](#) [HS501DR-](#)
[D2425](#) [RN1F48I50](#) [70.362.1028.0](#) [7-1393030-8](#) [Z5.509.0828.0](#) [G3DZ-4B DC24](#) [G3DZ-F4B DC12](#) [2912138](#) [SSRDAC10](#) [RV8S-L-A240-](#)
[D24](#) [RV8S-L-A240-D6](#) [RV8S-S-A240-D24](#) [RV8S-S-A240-D6](#) [RV8S-S-A240Z-D24](#) [RV8S-S-D24-A240](#) [RV8S-S-D48-A120](#) [RN1F12V50](#)
[RJ1P60I30E](#) [RJ1P60V30E](#) [SO967860](#) [SMT8628521](#) [SO869970](#) [SOD867180](#) [SAL961360](#) [SO867970](#) [SOB863860](#) [SOB867640](#) [SOB942360](#)
[G3PH-5150B DC5-24](#)