

Product data sheet

Characteristics

SSLM1ND101M7

SSR - DIN rail mount - input 90-280 V AC, output 4-28 V DC, 0.1A, negative logic



Main

Range of product	Harmony Relay
Product or component type	Solid state relay
Device short name	SSLM
Phase	1 phase

Complementary

Mounting support	Symmetrical DIN rail
Line Rated Current	0.1 A
Output voltage	4...28 V DC
[Uc] control circuit voltage	90...280 V AC
Contacts type and configuration	1 NC
CLAMPING FORCE	0.6...0.8 N.m
Connections - terminals	Screw terminals, 1 x 0.2...1 x 5.26 mm ² AWG 24...AWG 10)
Switching voltage	90 V AC turn-on
Load current	0.1 A
Maximum voltage drop	<0.5 V on-state
Response time	20 ms (turn-on) 20 ms (turn-off)
Overvoltage category	III
Width	0.30 in (7.5 mm)
Height	3.15 in (80 mm)
Depth	2.48 in (63 mm)
Net weight	0.07 lb(US) (0.03 kg)

Environment

Dielectric strength	4000 V for input/output
Pollution degree	2
Product certifications	CSA EAC UL
Marking	EAC CSA CE UL
Ambient air temperature for operation	32...158 °F (0...70 °C)

The information provided in this documentation contains general descriptions and/or technical characteristics of the performance of the products contained herein. This documentation is not intended as a substitute for and is not to be used for determining suitability or reliability of these products for specific user applications. It is the duty of any such user or integrator to perform the appropriate and complete risk analysis, evaluation and testing of the products with respect to the relevant specific application or use thereof. Neither Schneider Electric Industries SAS nor any of its affiliates or subsidiaries shall be responsible or liable for misuse of the information contained herein.

Ordering and shipping details

Category	21127 - ZELIO ICE CUBE RELAYS
Discount Schedule	CP2
GTIN	00785901086857
Nbr. of units in pkg.	12
Package weight(Lbs)	0.07 lb(US) (0.03 kg)
Returnability	No

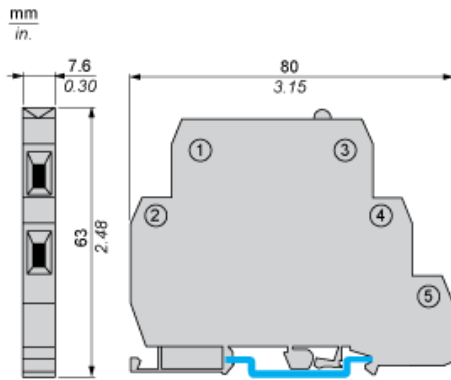
Packing Units

Unit Type of Package 1	PCE
Package 1 Height	2.36 in (6 cm)
Package 1 width	0.30 in (0.75 cm)
Package 1 Length	3.15 in (8 cm)
Unit Type of Package 2	BB1
Number of Units in Package 2	12
Package 2 Weight	16.01 oz (454 g)
Package 2 Height	2.95 in (7.5 cm)
Package 2 width	4.33 in (11 cm)
Package 2 Length	4.37 in (11.1 cm)
Unit Type of Package 3	S01
Number of Units in Package 3	48
Package 3 Weight	4.50 lb(US) (2.041 kg)
Package 3 Height	5.91 in (15 cm)
Package 3 width	5.91 in (15 cm)
Package 3 Length	15.75 in (40 cm)

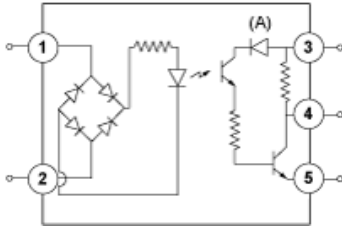
Offer Sustainability

California proposition 65	WARNING: This product can expose you to chemicals including: Nickel compounds, which is known to the State of California to cause cancer, and Di-isodecyl phthalate (DIDP), which is known to the State of California to cause birth defects or other reproductive harm. For more information go to www.P65Warnings.ca.gov
EU RoHS Directive	Pro-active compliance (Product out of EU RoHS legal scope) EU RoHS Declaration
Mercury free	Yes
RoHS exemption information	Yes
China RoHS Regulation	China RoHS Declaration
Environmental Disclosure	Product Environmental Profile
Circularity Profile	End Of Life Information

Dimensions



Wiring Diagram



- 1,2 : Field VAC
- 3 : Vcc
- 4 : Logic
- 5 : Ground
- (A) LED

X-ON Electronics

Largest Supplier of Electrical and Electronic Components

Click to view similar products for [Solid State Relays - Industrial Mount](#) category:

Click to view products by [Schneider](#) manufacturer:

Other Similar products are found below :

[D2440-C](#) [H10CA4890](#) [D4875C](#) [1395831-1](#) [1616010-6](#) [BR312BY](#) [A-1326](#) [H10CA4850](#) [H12CA4890VL](#) [RA2410-D06](#) [RA2410HA06T](#)
[W230E-1-12](#) [W230T-3-12](#) [1-1617030-3](#) [1-1617033-7](#) [MS2-D2420](#) [MS2-D2430](#) [A-1440](#) [RJ1P60V50E](#) [RN1F48I50](#) [70.362.1028.0](#)
[Z5.509.0828.0](#) [G3SD-Z01P-PE DC24](#) [RV8S-L-A240-D24](#) [RV8S-L-D48-D24](#) [RV8S-S-A240-D24](#) [RN1F12V50](#) [RJ1P60I30E](#) [RJ1P60V30E](#)
[PLC-OPT- 12DC/300DC/1](#) [SO967860](#) [PLC-OPT-24DC/V8C/SEN](#) [SMT8628521](#) [SO869970](#) [ESUC0480](#) [SAL962360](#) [SO842974](#) [SRH3-2415](#)
[SUL942460](#) [G3PH-5150B DC5-24](#) [G3PH-2075B DC5-24](#) [1127700000](#) [G3PH-5150BAC100-240](#) [1548740-1](#) [84154010N](#) [GN325DSZH](#)
[84140013N](#) [GN025DSRL](#) [GN350ASZH](#) [84140613N](#)