

Product availability: Non-Stock - Not normally stocked in distribution facility



Main

Range of product	Modicon M171
Product or component type	Display module
Display colour	Monochrome
Supply	External source

Complementary

Display type	Backlit LCD screen
Number of key	4
Color	White
[Us] rated supply voltage	12 V DC
Power consumption in W	5 W 0 W
Marking	CE
Realtime clock	With realtime clock
Local signalling	LCD display
Product compatibility	Logic controller M171 optimized
Height	5.39 in (137 mm)
Width	3.8 in (96.5 mm)
Depth	1.23 in (31.3 mm)
Product weight	0.32 lb(US) (0.143 kg)

Environment

Standards	RoHS compliant
Product certifications	CURus REACH
IP degree of protection	IP40 on front face

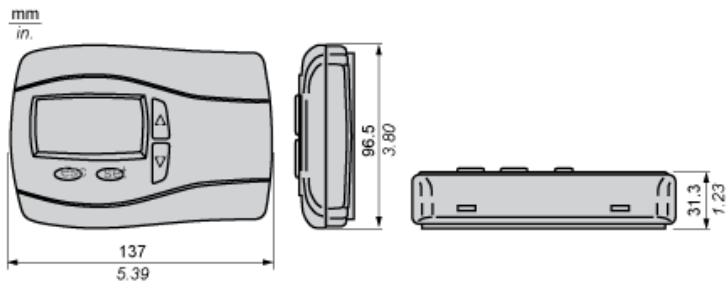
Ordering and shipping details

Category	22537 - M171 / M172 HVAC CONTROLLERS
Discount Schedule	PC12
GTIN	003606480752650
Nbr. of units in pkg.	1
Package weight(Lbs)	0.6099999999999999
Returnability	N
Country of origin	IT

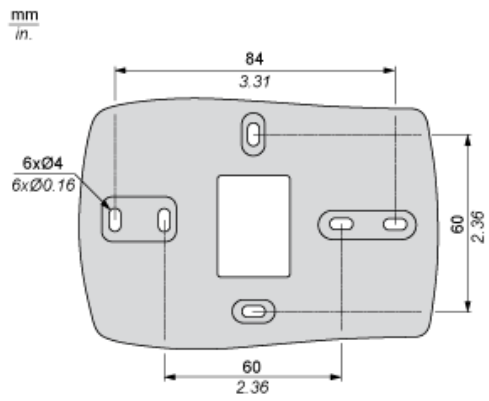
Offer Sustainability

RoHS (date code: YYWW)	Compliant - since 1427 - Schneider Electric declaration of conformity Schneider Electric declaration of conformity
REACH	Reference contains SVHC above the threshold - Go to CaP for more details- Go to CaP for more details
California proposition 65	WARNING: This product can expose you to chemicals including:
----- Substance 1	Lead and lead compounds which is known to the State of California to cause cancer and birth defects or other reproductive harm.
----- More information	For more information go to www.p65warnings.ca.gov

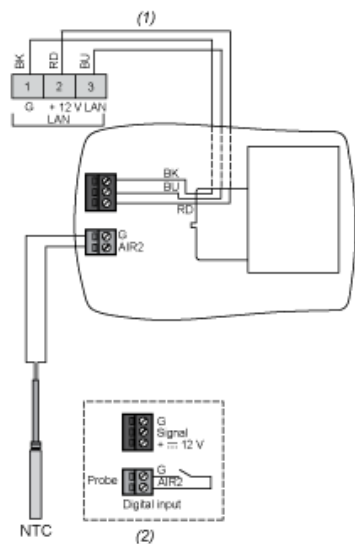
Dimensions



Mounting

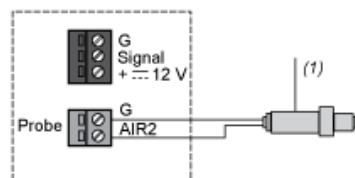


Wiring Diagram



- (1) LAN Expansion bus
- (2) Remote probe not included
- RD : Red
- BU : Blue
- BK : Black

Ex. Transducer



- (1) Power supply

X-ON Electronics

Largest Supplier of Electrical and Electronic Components

Click to view similar products for [Controllers](#) category:

Click to view products by [Schneider](#) manufacturer:

Other Similar products are found below :

[61FGPN8DAC120](#) [CV500SLK21](#) [70177-1011](#) [F03-03 HAS C](#) [F03-31](#) [81550401](#) [FT1A-C12RA-W](#) [88981106](#) [H2CAC24A](#) [H2CRSAC110B](#)
[R88A-CRGB003CR-E](#) [R88ARR080100S](#) [R88A-TK01K](#) [DCN1-1](#) [DRT2ID08C](#) [DTB4896VRE](#) [DTB9696CVE](#) [DTB9696LVE](#) [E53-AZ01](#)
[E53E01](#) [E53E8C](#) [E5C4Q40J999FAC120](#) [E5CWLQ1TCAC100240](#) [E5GNQ03PFLKACDC24](#) [B300LKL21](#) [NSCXDC1V3](#) [NSH5-232CW-3M](#)
[NT20SST122BV1](#) [NV-CN001](#) [OAS-160-N](#) [C40PEDRA](#) [K31S6](#) [K33-L1B](#) [K3MA-F 100-240VAC](#) [K3TX-AD31A](#) [89750101](#) [L595020](#)
[SRM1-C02](#) [SRS2-1](#) [FT1A-C14SA-S](#) [G32X-V2K](#) [26546803](#) [26546805](#) [PWRA440A](#) [CPM1AETL03CH](#) [CV500SLK11](#) [3G2A5BI081](#)
[3G2A5IA122](#) [3G2A5LK010E](#) [3G2A5OA223](#)