



Main

Range of product	Modicon M238 logic controller
Product or component type	Analog input module
Analogue input number	2
Input level	High level
Analogue input type	Current 4...20 mA non differential Voltage 0...10 V non differential
Cross talk	≤ 2 LSB

Complementary

Range compatibility	Twido Advantys OTB
Analogue input resolution	12 bits
LSB value	2.5 mV voltage voltage 4.8 μ A current current
Permissible continuous overload	40 mA current 13 V voltage
Input impedance	≥ 1 MOhm voltage 10 Ohm current
Sampling duration	10 ms
Acquisition period	10 ms per channel + 1 controller cycle time
Measurement error	± 0.2 % of full scale 25 °C
Temperature coefficient	± 0.006 %FS/°C
Repeat accuracy	± 0.5 %FS
Non-linearity	± 0.2 %FS
Total error	± 1 %FS
Type of cable	Shielded cable
Insulation between channel and internal logic	Photocoupler
Supply	External supply
[Us] rated supply voltage	24 V DC
Supply voltage limits	20.4...28.8 V
Electrical connection	1 removable screw terminal block
Current consumption	50 mA 5 V DC internal 40 mA 24 V DC external
Net weight	0.19 lb(US) (0.085 kg)

Environment

Dielectric strength	500 V between the I/O and the external supply circuit 500 V between the I/O and internal logic
Width	0.93 in (23.5 mm)
Depth	2.76 in (70 mm)
Maximum Height	3.54 in (90 mm)

Ordering and shipping details

Category	22531 - PLCS, TWIDO, TWD
Discount Schedule	PC12
GTIN	00785901825579
Nbr. of units in pkg.	1
Package weight(Lbs)	0.43 lb(US) (0.20 kg)
Returnability	No
Country of origin	JP

Packing Units

Package 1 Height	2.95 in (75.000 mm)
Package 1 width	4.13 in (105.000 mm)
Package 1 Length	5.12 in (130.000 mm)

Offer Sustainability

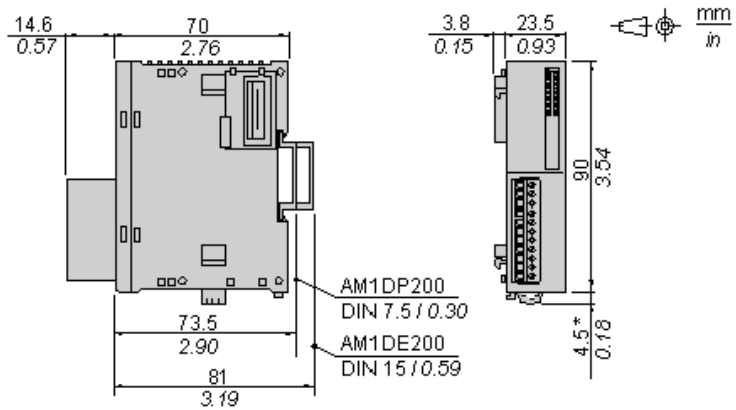
Sustainable offer status	Green Premium product
California proposition 65	WARNING: This product can expose you to chemicals including: Lead and lead compounds which is known to the State of California to cause Carcinogen & Reproductive harm. For more information go to www.p65warnings.ca.gov
EU RoHS Directive	Pro-active compliance (Product out of EU RoHS legal scope) EU RoHS Declaration
Mercury free	Yes
RoHS exemption information	Yes
China RoHS Regulation	China RoHS Declaration
Environmental Disclosure	Product Environmental Profile
Circularity Profile	End Of Life Information
WEEE	The product must be disposed on European Union markets following specific waste collection and never end up in rubbish bins.
PVC free	Yes

Contractual warranty

Warranty	18 months
----------	-----------

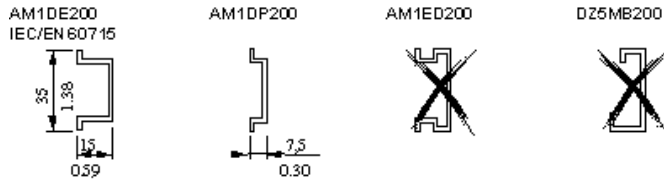
Analog Input Module (2-channel, Voltage/Current)

Dimensions



NOTE: * 8.5 mm (0.33 in) when the clip-on lock is pulled out.

DIN Rail Mounting

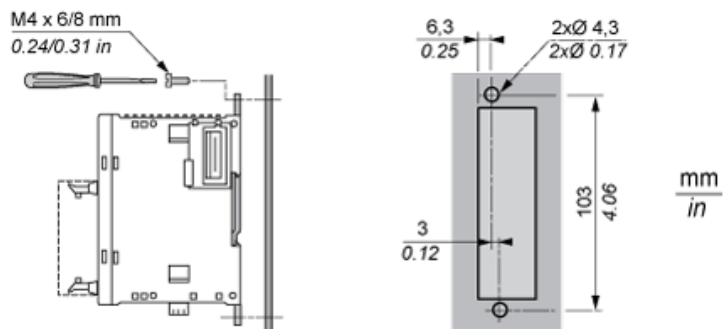


Rail depth	Catalogue part number
15 mm (0.59 in.)	AM1DE200
7,5 mm (0.30 in.)	AM1DP200

NOTE: Do not use AM1ED200 and DZ5MB200

Module Mounting on a Panel Surface

Mounting Hole Layout



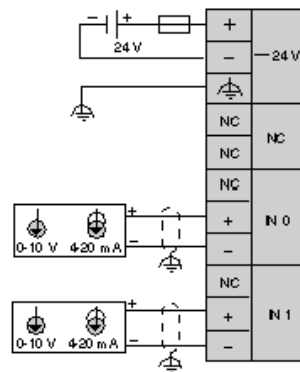
Wiring Requirements

Cable Types and Wire Sizes for Removable Screw Terminal Block

 9 0.35 mm in.							
	mm ²	0,14...1,5	0,25...0,5	0,25...1,5	0,14...0,5	0,14...0,75	0,25...0,34
AWG	26...16	24...20	24...16	26...20	26...18	24...22	20

Analog Input Module (2-channel, Voltage/Current)

Wiring Diagram



The (-) poles of inputs IN0 and IN1 are connected internally.

X-ON Electronics

Largest Supplier of Electrical and Electronic Components

Click to view similar products for [Controllers](#) category:

Click to view products by [Schneider](#) manufacturer:

Other Similar products are found below :

[CS1WCN223](#) [CS1WCN713](#) [CS1WKS001E](#) [61F-11NH](#) [61FGPN8DAC120](#) [61F-GP-NT AC110](#) [61F-GPN-V50-AC110](#) [70177-1011](#) [F03-03](#)
[HAS B](#) [F03-03 HAS C](#) [F03-31](#) [81513201](#) [81513535](#) [81550401](#) [FT1A-C12RA-W](#) [88981106](#) [H2CAC24A](#) [R88A-CAGA005S](#) [R88A-](#)
[CRGB003CR-E](#) [R88ARR080100S](#) [R88A-TK01K](#) [DCN1-1](#) [DTB4896VRE](#) [DTB9696CVE](#) [DTB9696LVE](#) [MR-50LF+](#) [E53-AZ01](#) [E53E8C](#)
[E5CWLQ1TCAC100240](#) [B300LKL21](#) [NE1ASCPU02EIPVER11](#) [NE1SCPU01](#) [NE1SDRM21U](#) [NSCXDC1V3](#) [NSH5-232CW-3M](#)
[NT20SST122BV1](#) [NV3Q-SW41](#) [NV4W-ATT01](#) [NV-CN001](#) [OAS-160-N](#) [K31S6](#) [K33-L1B](#) [K3TX-AD31A](#) [L595020](#) [SRS2-1](#) [G32X-V2K](#)
[26546803](#) [26546805](#) [26546831](#) [CJ1W-OD204](#)