



Product availability: Stock - Normally stocked in distribution facility



Main

Range of product	Modicon M238 logic controller
Product or component type	Analog input module
Analogue input number	4
Analogue input type	Current 0...20 mA non differential Voltage 0...10 V non differential Temperature probe - 200...600 °C Pt 100/Pt 1000 non differential Temperature probe - 50...150 °C Ni 100/Ni 1000 non differential
Cross talk	<= 1 LSB

Complementary

Range compatibility	Twido Advantys OTB
Analogue input resolution	12 bits
LSB value	0.2 °C temperature probe Pt 100/Pt 1000 0.05 °C temperature probe Ni 100/Ni 1000 2.5 mV voltage voltage 4.8 µA current current
Permissible continuous overload	13 V voltage 40 mA current
Input impedance	>= 10 kOhm temperature probe 10 kOhm voltage 470 Ohm current
Sampling duration	160 ms
Acquisition period	160 ms per channel + 1 controller cycle time voltage/current 320 ms per channel + 1 controller cycle time temperature probe
Measurement error	+/- 0.4 % of full scale Pt 100/Pt 1000, Ni 100/ Ni 1000 25 °C +/- 0.2 % of full scale 0...10 V 0...10 V 25 °C +/- 0.2 % of full scale 4...20 mA 4...20 mA 25 °C
Temperature coefficient	+/- 0.004 %FS/°C temperature probe +/- 0.009 %FS/°C current +/- 0.009 %FS/°C voltage
Repeat accuracy	+/-0.1 %FS
Non-linearity	+/- 0.02 %FS
Total error	+/-0.5 %FS
Type of cable	Shielded cable
Insulation between channel and internal logic	Photocoupler
Supply	External supply
[Us] rated supply voltage	24 V DC
Supply voltage limits	20.4...28.8 V
Electrical connection	1 removable screw terminal block
Current consumption	50 mA 5 V DC internal 60 mA 24 V DC external
Product weight	0.19 lb(US) (0.085 kg)

The information provided in this documentation contains general descriptions and/or technical characteristics of the performance of the products contained herein. This documentation is not intended as a substitute for and is not to be used for determining suitability or reliability of these products for specific user applications. It is the duty of any such user or integrator to perform the appropriate and complete risk analysis, evaluation and testing of the products with respect to the relevant specific application or use thereof. Neither Schneider Electric Industries SAS nor any of its affiliates or subsidiaries shall be responsible or liable for misuse of the information contained herein.

Environment

Dielectric strength	2500 V between the I/O and internal logic
Width	0.93 in (23.5 mm)
Depth	2.76 in (70 mm)
Height	3.54 in (90 mm)

Ordering and shipping details

Category	22531 - PLCS, TWIDO, TWD
Discount Schedule	PC12
GTIN	00785901629450
Nbr. of units in pkg.	1
Package weight(Lbs)	0.33000000000000002
Returnability	N
Country of origin	FR

Offer Sustainability

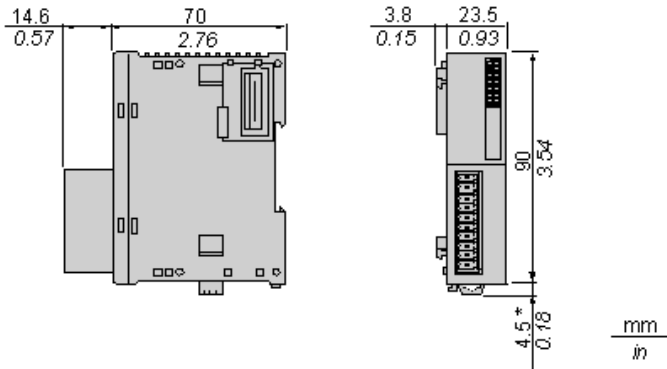
Sustainable offer status	Green Premium product
RoHS (date code: YYWW)	Compliant - since 1039 - Schneider Electric declaration of conformity Schneider Electric declaration of conformity
REACH	Reference not containing SVHC above the threshold
Product environmental profile	Available
Product end of life instructions	Available
California proposition 65	WARNING: This product can expose you to chemicals including:
----- Substance 1	Lead and lead compounds, which is known to the State of California to cause cancer and birth defects or other reproductive harm.
----- More information	For more information go to www.p65warnings.ca.gov

Contractual warranty

Warranty period	18 months
-----------------	-----------

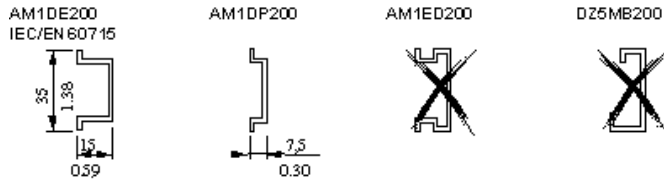
Analog Input Module (4-channel, Voltage/Current/Temperature)

Dimensions



NOTE: * 8.5 mm (0.33 in) when the clip-on lock is pulled out.

DIN Rail Mounting

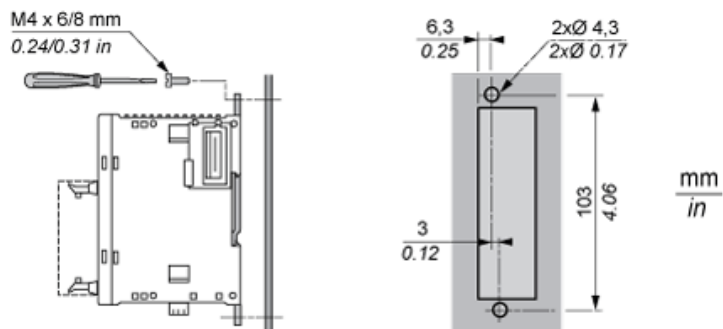


Rail depth	Catalogue part number
15 mm (0.59 in.)	AM1DE200
7,5 mm (0.30 in.)	AM1DP200

NOTE: Do not use AM1ED200 and DZ5MB200

Module Mounting on a Panel Surface

Mounting Hole Layout



Wiring Requirements

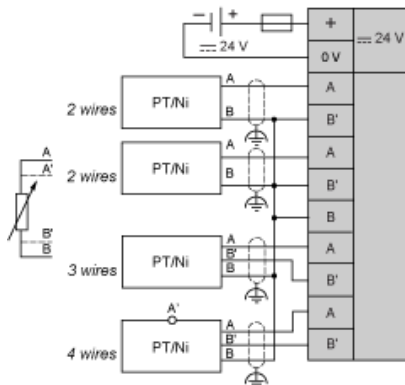
Cable Types and Wire Sizes for Removable Screw Terminal Block

mm ²	0,14...1,5	0,25...0,5	0,25...1,5	0,14...0,5	0,14...0,75	0,25...0,34	0,5
AWG	26...16	24...20	24...16	26...20	26...18	24...22	20

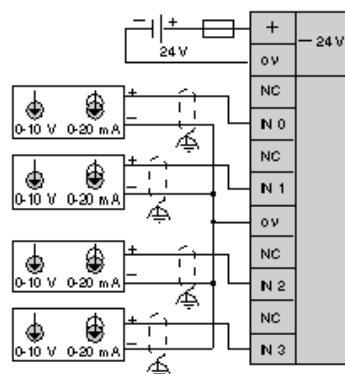
Analog Input Module (4-channel, Voltage/Current/Temperature)

Wiring Diagrams

Inputs configured for measuring temperature



Inputs configured for measuring voltage/current



X-ON Electronics

Largest Supplier of Electrical and Electronic Components

Click to view similar products for [Controllers](#) category:

Click to view products by [Schneider](#) manufacturer:

Other Similar products are found below :

[CS1WCN223](#) [CS1WCN713](#) [CS1WKS001E](#) [61F-11NH](#) [61FGPN8DAC120](#) [61F-GP-NT AC110](#) [61F-GPN-V50-AC110](#) [70177-1011](#) [F03-03](#)
[HAS B](#) [F03-03 HAS C](#) [F03-31](#) [81513201](#) [81513535](#) [81550401](#) [FT1A-C12RA-W](#) [88981106](#) [H2CAC24A](#) [R88A-CAGA005S](#) [R88A-](#)
[CRGB003CR-E](#) [R88ARR080100S](#) [R88A-TK01K](#) [DCN1-1](#) [DTB4896VRE](#) [DTB9696CVE](#) [DTB9696LVE](#) [MR-50LF+](#) [E53-AZ01](#) [E53E8C](#)
[E5CWLQ1TCAC100240](#) [B300LKL21](#) [NE1ASCPU02EIPVER11](#) [NE1SCPU01](#) [NE1SDRM21U](#) [NSCXDC1V3](#) [NSH5-232CW-3M](#)
[NT20SST122BV1](#) [NV3Q-SW41](#) [NV4W-ATT01](#) [NV-CN001](#) [OAS-160-N](#) [K31S6](#) [K33-L1B](#) [K3TX-AD31A](#) [L595020](#) [SRS2-1](#) [G32X-V2K](#)
[26546803](#) [26546805](#) [26546831](#) [CJ1W-OD204](#)