

Product availability: Non-Stock - Not normally stocked in distribution facility



Main

Range of product	Modicon M238 logic controller
Product or component type	Analog output module
Analogue output number	1
Analogue output type	Current 4...20 mA Voltage 0...10 V

Complementary

Range compatibility	Advantys OTB Twido
Analogue output resolution	12 bits
LSB value	2.5 mV voltage voltage 4.8 µA current current
Load type	Resistive
Load impedance ohmic	<= 300 Ohm current >= 2000 Ohm voltage
Stabilisation time	10 ms
Conversion time	10 ms + 1 controller cycle time
Measurement error	+/- 0.2 % of full scale 25 °C
Temperature coefficient	+/-0.015 %FS/°C
Repeat accuracy	+/-0.5 %FS
Non-linearity	+/- 0.2 %FS
Output ripple	<= 1 LSB
Total error	+/-1 %FS
Type of cable	Twisted shielded cable
Insulation between channel and internal logic	Photocoupler
Supply	External supply
[Us] rated supply voltage	24 V DC
Supply voltage limits	19.2...30 V
Electrical connection	1 removable screw terminal block
Current consumption	40 mA 24 V DC external 50 mA 5 V DC internal
Product weight	0.19 lb(US) (0.085 kg)

Environment

Dielectric strength	500 V between the I/O and internal logic 500 V between the I/O and the external supply circuit
Width	0.93 in (23.5 mm)
Depth	2.76 in (70 mm)
Height	3.54 in (90 mm)

Ordering and shipping details

Category	22531 - PLCS, TWIDO, TWD
Discount Schedule	PC12
GTIN	00785901665588
Nbr. of units in pkg.	1
Package weight(Lbs)	0.2999999999999999
Returnability	N
Country of origin	JP

Offer Sustainability

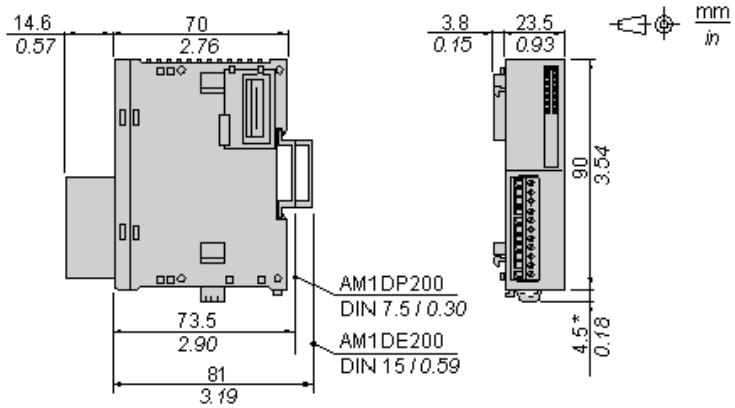
Sustainable offer status	Green Premium product
RoHS (date code: YYWW)	Compliant - since 1039 - Schneider Electric declaration of conformity Schneider Electric declaration of conformity
REACH	Reference not containing SVHC above the threshold
Product environmental profile	Available
Product end of life instructions	Available
California proposition 65	WARNING: This product can expose you to chemicals including:
----- Substance 1	Lead and lead compounds, which is known to the State of California to cause cancer and birth defects or other reproductive harm.
----- More information	For more information go to www.p65warnings.ca.gov

Contractual warranty

Warranty period	18 months
-----------------	-----------

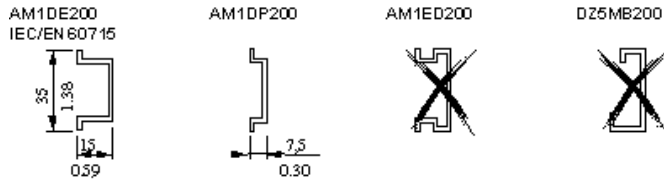
Analog Output Module (1-channel, Voltage/Current)

Dimensions



NOTE: * 8.5 mm (0.33 in) when the clip-on lock is pulled out.

DIN Rail Mounting

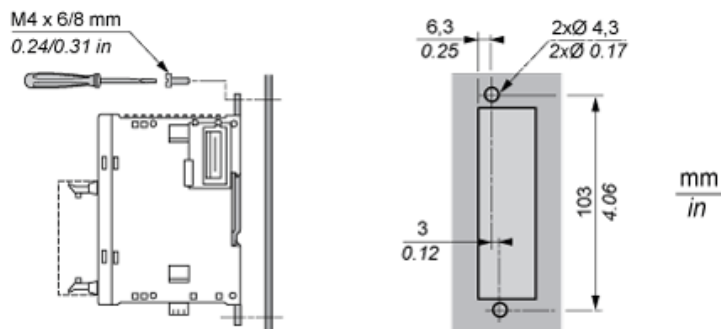


Rail depth	Catalogue part number
15 mm (0.59 in.)	AM1DE200
7,5 mm (0.30 in.)	AM1DP200

NOTE: Do not use AM1ED200 and DZ5MB200

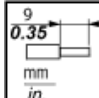

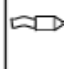
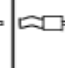


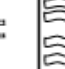
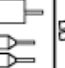
Module Mounting on a Panel Surface

Mounting Hole Layout



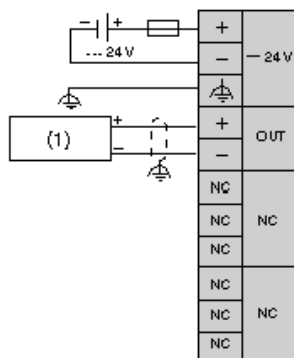
Wiring Requirements

Cable Types and Wire Sizes for Removable Screw Terminal Block

							
	mm ²	0,14...1,5	0,25...0,5	0,25...1,5	0,14...0,5	0,14...0,75	0,25...0,34
AWG	26...16	24...20	24...16	26...20	26...18	24...22	20

Analog Output Module (1-channel, Voltage/Current)

Wiring Diagram



(1) Voltage/current preactuator

X-ON Electronics

Largest Supplier of Electrical and Electronic Components

Click to view similar products for [Controllers](#) category:

Click to view products by [Schneider](#) manufacturer:

Other Similar products are found below :

[61FGPN8DAC120](#) [CV500SLK21](#) [70177-1011](#) [F03-03 HAS C](#) [F03-31](#) [81550401](#) [FT1A-C12RA-W](#) [88981106](#) [H2CAC24A](#) [H2CRSAC110B](#)
[R88A-CRGB003CR-E](#) [R88ARR080100S](#) [R88A-TK01K](#) [DCN1-1](#) [DRT2ID08C](#) [DTB4896VRE](#) [DTB9696CVE](#) [DTB9696LVE](#) [E53-AZ01](#)
[E53E01](#) [E53E8C](#) [E5C4Q40J999FAC120](#) [E5CWLQ1TCAC100240](#) [E5GNQ03PFLKACDC24](#) [B300LKL21](#) [NSCXDC1V3](#) [NSH5-232CW-3M](#)
[NT20SST122BV1](#) [NV-CN001](#) [OAS-160-N](#) [C40PEDRA](#) [K31S6](#) [K33-L1B](#) [K3MA-F](#) [100-240VAC](#) [K3TX-AD31A](#) [89750101](#) [L595020](#)
[SRM1-C02](#) [SRS2-1](#) [FT1A-C14SA-S](#) [G32X-V2K](#) [26546803](#) [26546805](#) [PWRA440A](#) [CPM1AETL03CH](#) [CV500SLK11](#) [3G2A5BI081](#)
[3G2A5IA122](#) [3G2A5LK010E](#) [3G2A5OA223](#)