

Product availability: Non-Stock - Not normally stocked in distribution facility



Main

Range of product	Modicon M238 logic controller
Product or component type	Discrete output module
Discrete output number	32
Discrete output type	Transistor
Discrete output voltage	24 V
Discrete output logic	Source
Discrete output current	0.4 A

Complementary

Range compatibility	Twido Advantys OTB
Output voltage limits	20.4...28.8 V
Current per channel	0.48 A
Current per output common	2 A
Number of common point	2
Response time	450 µs from state 0 to state 1 450 µs from state 1 to state 0
[Ures] residual voltage	<= 0.4 V at state 1
Leakage current	0.1 mA
Inductive load	<= 10 mH
Tungsten load	<= 9.6 W
Short-circuit protection	With automatic reactivaton
Overload protection	With automatic reactivaton
Isolation between channels	None
Isolation between channels and internal logic	500 V for 1 minute
Current consumption	25 mA 5 V DC at state 1 for all output 40 mA 24 V DC at state 1 for all output
Local signalling	2 display blocks
Electrical connection	1 connector HE10
Mounting support	35 mm symmetrical DIN rail
Product weight	0.23 lb(US) (0.105 kg)

Environment

Depth	3.2 in (81.3 mm)
Height	3.54 in (90 mm)
Width	1.32 in (33.5 mm)

Ordering and shipping details

Category	22531 - PLCS, TWIDO, TWD
Discount Schedule	PC12
GTIN	00785901591153
Nbr. of units in pkg.	1
Package weight(Lbs)	0.46000000000000002
Returnability	N
Country of origin	JP

Offer Sustainability

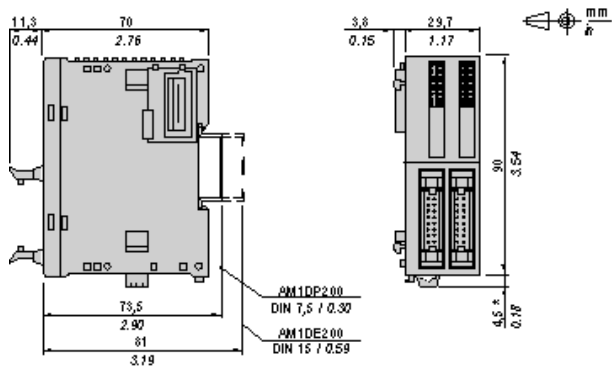
Sustainable offer status	Green Premium product
RoHS (date code: YYWW)	Compliant - since 1039 - Schneider Electric declaration of conformity Schneider Electric declaration of conformity
REACH	Reference not containing SVHC above the threshold
Product environmental profile	Available
Product end of life instructions	Available
California proposition 65	WARNING: This product can expose you to chemicals including:
----- Substance 1	Lead and lead compounds, which is known to the State of California to cause cancer and birth defects or other reproductive harm.
----- More information	For more information go to www.p65warnings.ca.gov

Contractual warranty

Warranty period	18 months
-----------------	-----------

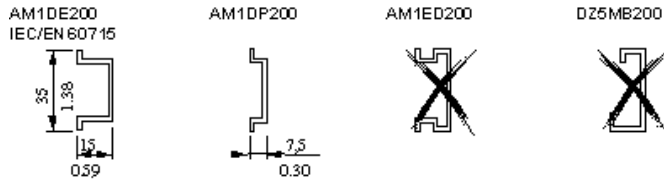
Digital Transistor Output Module (32-channel, Source)

Dimensions



NOTE: * 8.5 mm (0.33 in) when the clamp is pulled out.

DIN Rail Mounting

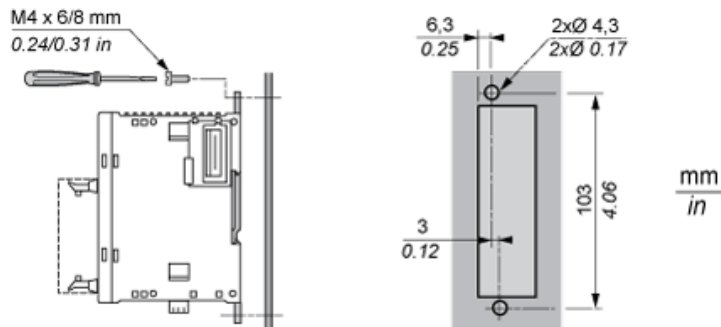


Rail depth	Catalogue part number
15 mm (0.59 in.)	AM1DE200
7,5 mm (0.30 in.)	AM1DP200

NOTE: Do not use AM1ED200 and DZ5MB200

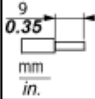

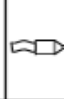
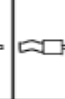
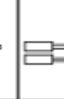



Module Mounting on a Panel Surface

Mounting Hole Layout



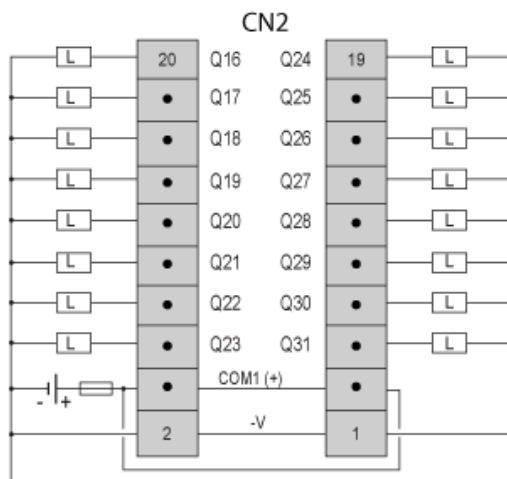
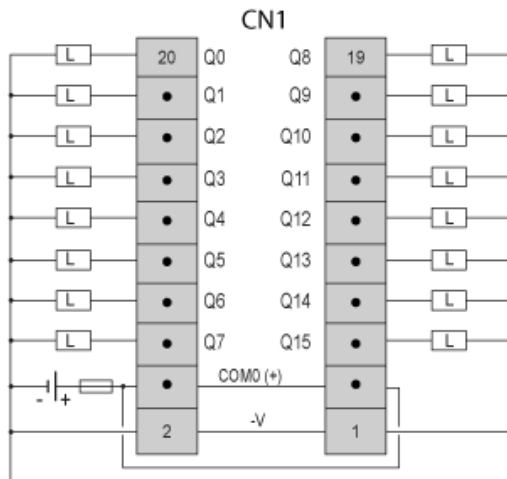
Wiring Requirements

Cable Types and Wire Sizes for Removable Screw Terminal Block

							
	mm ²	0,14...1,5	0,25...0,5	0,25...1,5	0,14...0,5	0,14...0,75	0,25...0,34
AWG	26...16	24...20	24...16	26...20	26...18	24...22	20

Digital Transistor Output Module (32-channel, Source)

Wiring Diagram



L Load

Fuse value for the load: 0.4 A

Fuse value for the power supply: 2 A

X-ON Electronics

Largest Supplier of Electrical and Electronic Components

Click to view similar products for [I/O Modules](#) category:

Click to view products by [Schneider](#) manufacturer:

Other Similar products are found below :

[70L-IDC5S](#) [70L-OAC-L](#) [70Z3289-4](#) [G21960000700](#) [G21960002700](#) [G34960002700](#) [G88104401](#) [GUR02](#) [OACU](#) [C4SWOUT](#) [PB16H](#) [SM-IDC15](#) [G34960001700](#) [G77-S](#) [G78-16-E](#) [GP34829091724](#) [GP34960005700](#) [JQP4](#) [ODC-24A](#) [IDC5P](#) [FC6A-N16B1](#) [6421](#) [FC6A-N32B3](#) [70MRCQ32-HL](#) [70Z5120](#) [C200H-LK201-V1](#) [G3TA-OA202SZ-US](#) [DC12](#) [GT1-OD16](#) [GT1-AD04CST](#) [GT1-DA04](#) [B7AM-6BS](#) [GRT1-ML2](#) [GRT1-TS2P](#) [CRT1-ID16TAH-1](#) [70GRCQ24-HS](#) [CRT1-ID08](#) [G7TC-ID16](#) [DC24V](#) [CRT1-ID08-1](#) [84110210](#) [6422](#) [AIIS-DIO32-00A1E](#) [84110410](#) [GT1-OD16MX](#) [GRT1-PC8](#) [G7VC-OC16-B7](#) [G7TC-OC08-1](#) [DC24V](#) [G7TC-IA16](#) [AC200/220V](#) [G7TC-OC08](#) [DC24V](#) [70MRCK24-DIN](#) [2736505](#)