

Product availability: Stock - Normally stocked in distribution facility



## Main

Range of product	Modicon M238 logic controller
Product or component type	Discrete I/O module
Discrete input number	4
Discrete input voltage	24 V
Discrete input voltage type	DC
Discrete output number	4
Discrete output type	Relay

## Complementary

Range compatibility	Advantys OTB Twido
Input voltage limits	20.4...28.8 V
Discrete input logic	Sink or source
Discrete input current	7 mA
Input impedance	3.4 kOhm
Discrete output function	1 NO
Current per channel	2 A
Current per output common	7 A
Number of common point	1 for input 1 for output
Contact resistance	$\leq 45$ mOhm
Response time	$\leq 10$ ms from state 0 to state 1 output $\leq 5$ ms from state 1 to state 0 output 4 ms at state 0 input 4 ms at state 1 input
Minimum switching current	0.1 mA 0.1 V DC
Isolation between channels	None
Isolation between channels and internal logic	2300 V for 1 minute (output) 500 V for 1 minute (input)
Isolation between input channel and output channel	1500 V for 1 minute
Isolation between output channels group	1500 V for 1 minute
Mechanical durability	20000000 cycles
Electrical durability	100000 cycles 0.5 A AC-15 240 V AC $\cos \phi = 0.35$ inductive 100000 cycles 1 A AC-15 240 V AC $\cos \phi = 0.7$ inductive 100000 cycles 1 A DC-13 24 V DC inductive (L/R = 7 ms) 100000 cycles 2 A 240 V AC resistive 100000 cycles 2 A 30 V DC resistive
Current consumption	20 mA 24 V DC at state 1 for all input/output 25 mA 5 V DC at state 1 for all input/output
Local signalling	1 display block
Electrical connection	1 removable screw terminal block
Mounting support	35 mm symmetrical DIN rail
Product weight	0.21 lb(US) (0.095 kg)

The information provided in this documentation contains general descriptions and/or technical characteristics of the performance of the products contained herein. This documentation is not intended as a substitute for and is not to be used for determining suitability or reliability of these products for specific user applications. It is the duty of any such user or integrator to perform the appropriate and complete risk analysis, evaluation and testing of the products with respect to the relevant specific application or use thereof. Neither Schneider Electric Industries SAS nor any of its affiliates or subsidiaries shall be responsible or liable for misuse of the information contained herein.


## Environment

Depth	2.76 in (70 mm)
Height	3.54 in (90 mm)
Width	1.69 in (42.9 mm)

## Ordering and shipping details

Category	22531 - PLCS, TWIDO, TWD
Discount Schedule	PC12
GTIN	00785901841593
Nbr. of units in pkg.	1
Package weight(Lbs)	0.4299999999999999
Returnability	N
Country of origin	JP

## Offer Sustainability

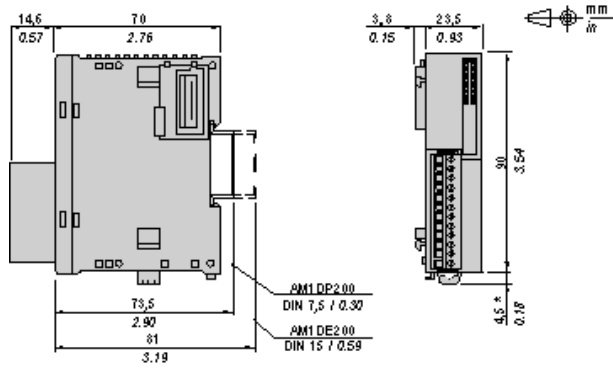
Sustainable offer status	Green Premium product
RoHS (date code: YYWW)	Compliant - since 1039 - Schneider Electric declaration of conformity  Schneider Electric declaration of conformity
REACH	Reference not containing SVHC above the threshold
Product environmental profile	Available
Product end of life instructions	Available
California proposition 65	WARNING: This product can expose you to chemicals including:
- - - - - Substance 1	Lead and lead compounds, which is known to the State of California to cause cancer and birth defects or other reproductive harm.
- - - - - More information	For more information go to <a href="http://www.p65warnings.ca.gov">www.p65warnings.ca.gov</a>

## Contractual warranty

Warranty period	18 months
-----------------	-----------

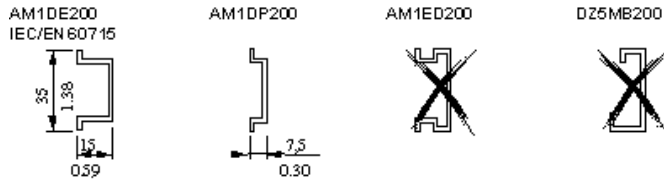
Digital Mixed I/O Module (8-channel)

Dimensions



NOTE: \* 8.5 mm (0.33 in) when the clamp is pulled out.

DIN Rail Mounting

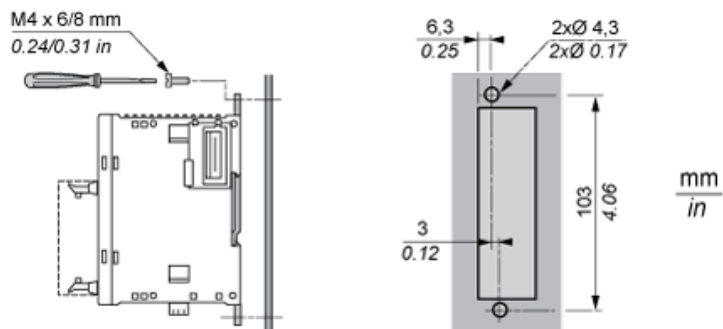


Rail depth	Catalogue part number
15 mm (0.59 in.)	AM1DE200
7,5 mm (0.30 in.)	AM1DP200

NOTE: Do not use AM1ED200 and DZ5MB200

Module Mounting on a Panel Surface

Mounting Hole Layout



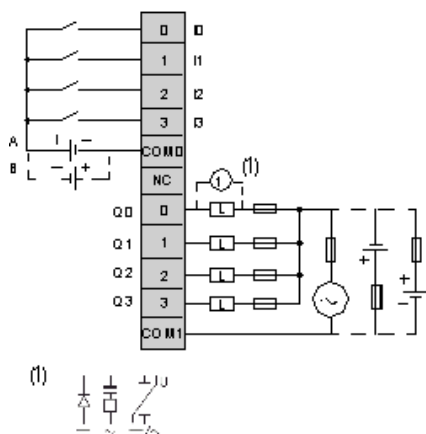
Wiring Requirements

Cable Types and Wire Sizes for Removable Screw Terminal Block

	mm <sup>2</sup>	0,14...1,5	0,25...0,5	0,25...1,5	0,14...0,5	0,14...0,75	0,25...0,34	0,5
	AWG	26...16	24...20	24...16	26...20	26...18	24...22	20

Digital Mixed I/O Module (8-channel)

Wiring Diagram



- A Sink wiring (positive logic)
- B Source wiring (negative logic)
- L Load

Fuse value for the load: 2 A

Fuse value for the power supply: 7 A

## X-ON Electronics

Largest Supplier of Electrical and Electronic Components

*Click to view similar products for [Controllers](#) category:*

*Click to view products by [Schneider](#) manufacturer:*

Other Similar products are found below :

[61FGPN8DAC120](#) [CV500SLK21](#) [70177-1011](#) [F03-03 HAS C](#) [F03-31](#) [81550401](#) [FT1A-C12RA-W](#) [88981106](#) [H2CAC24A](#) [H2CRSAC110B](#)  
[R88A-CRGB003CR-E](#) [R88ARR080100S](#) [R88A-TK01K](#) [DCN1-1](#) [DRT2ID08C](#) [DTB4896VRE](#) [DTB9696CVE](#) [DTB9696LVE](#) [E53-AZ01](#)  
[E53E01](#) [E53E8C](#) [E5C4Q40J999FAC120](#) [E5CWLQ1TCAC100240](#) [E5GNQ03PFLKACDC24](#) [B300LKL21](#) [NSCXDC1V3](#) [NSH5-232CW-3M](#)  
[NT20SST122BV1](#) [NV-CN001](#) [OAS-160-N](#) [C40PEDRA](#) [K31S6](#) [K33-L1B](#) [K3MA-F](#) [100-240VAC](#) [K3TX-AD31A](#) [89750101](#) [L595020](#)  
[SRM1-C02](#) [SRS2-1](#) [FT1A-C14SA-S](#) [G32X-V2K](#) [26546803](#) [26546805](#) [PWRA440A](#) [CPM1AETL03CH](#) [CV500SLK11](#) [3G2A5BI081](#)  
[3G2A5IA122](#) [3G2A5LK010E](#) [3G2A5OA223](#)