



Product availability: Stock - Normally stocked in distribution facility



Main

| | |
|---------------------------|-------------------------------|
| Range of product | Modicon M238 logic controller |
| Product or component type | Discrete output module |
| Discrete output number | 16 |
| Discrete output type | Relay |

Complementary

| | |
|---|--|
| Range compatibility | Advantys OTB Twido |
| Discrete output function | 1 NO |
| Current per channel | 2 A |
| Current per output common | 8 A |
| Number of common point | 2 |
| Contact resistance | <= 45 mOhm |
| Response time | <= 10 ms from state 0 to state 1 input <= 5 ms from state 1 to state 0 input |
| Minimum switching current | 0.1 mA 0.1 V DC |
| Isolation between channels | 1500 V for 1 minute |
| Isolation between channels and internal logic | 2300 V for 1 minute |
| Isolation between output channels group | 1500 V for 1 minute |
| Mechanical durability | 20000000 cycles |
| Electrical durability | 100000 cycles 0.5 A AC-15 240 V AC cos phi = 0.35 inductive 100000 cycles 1 A AC-15 240 V AC cos phi = 0.7 inductive 100000 cycles 1 A DC-13 24 V DC inductive (L/R = 7 ms) 100000 cycles 2 A 240 V AC resistive 100000 cycles 2 A 30 V DC resistive |
| Current consumption | 30 mA 5 V DC at state 1 for all output 40 mA 24 V DC at state 1 for all output |
| Local signalling | 1 display block |
| Electrical connection | 1 removable screw terminal block |
| Mounting support | 35 mm symmetrical DIN rail |
| Product weight | 0.32 lb(US) (0.145 kg) |

Environment

| | |
|--------|-------------------|
| Depth | 3.33 in (84.6 mm) |
| Height | 3.54 in (90 mm) |
| Width | 1.07 in (27.3 mm) |

The information provided in this documentation contains general descriptions and/or technical characteristics of the performance of the products contained herein. This documentation is not intended as a substitute for and is not to be used for determining suitability or reliability of these products for specific user applications. It is the duty of any such user or integrator to perform the appropriate and complete risk analysis, evaluation and testing of the products with respect to the relevant specific application or use thereof. Neither Schneider Electric Industries SAS nor any of its affiliates or subsidiaries shall be responsible or liable for misuse of the information contained herein.

Ordering and shipping details

| | |
|-----------------------|--------------------------|
| Category | 22531 - PLCS, TWIDO, TWD |
| Discount Schedule | PC12 |
| GTIN | 00785901590361 |
| Nbr. of units in pkg. | 1 |
| Package weight(Lbs) | 0.52000000000000002 |
| Returnability | Y |
| Country of origin | JP |

Offer Sustainability

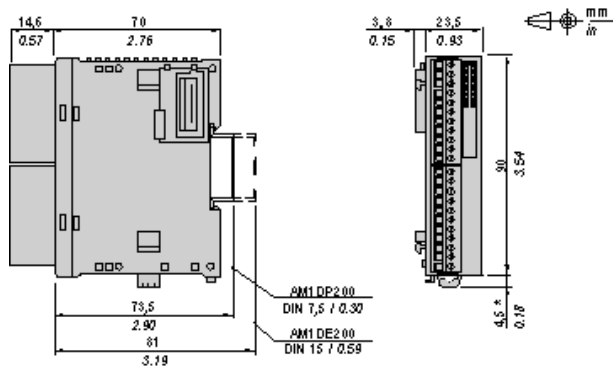
| | |
|----------------------------------|--|
| Sustainable offer status | Green Premium product |
| RoHS (date code: YYWW) | Compliant - since 1039 - Schneider Electric declaration of conformity Schneider Electric declaration of conformity |
| REACH | Reference not containing SVHC above the threshold |
| Product environmental profile | Available |
| Product end of life instructions | Available |
| California proposition 65 | WARNING: This product can expose you to chemicals including: |
| ----- Substance 1 | Lead and lead compounds, which is known to the State of California to cause cancer and birth defects or other reproductive harm. |
| ----- More information | For more information go to www.p65warnings.ca.gov |

Contractual warranty

| | |
|-----------------|-----------|
| Warranty period | 18 months |
|-----------------|-----------|

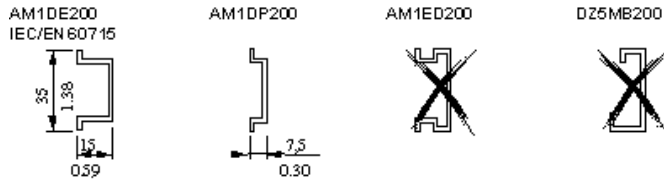
Digital Relay Output Module (16-contact)

Dimensions



NOTE: * 8.5 mm (0.33 in) when the clamp is pulled out.

DIN Rail Mounting

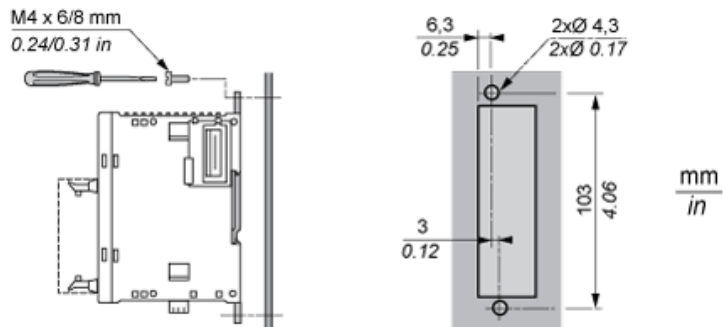


| Rail depth | Catalogue part number |
|-------------------|-----------------------|
| 15 mm (0.59 in.) | AM1DE200 |
| 7,5 mm (0.30 in.) | AM1DP200 |

NOTE: Do not use AM1ED200 and DZ5MB200

Module Mounting on a Panel Surface

Mounting Hole Layout



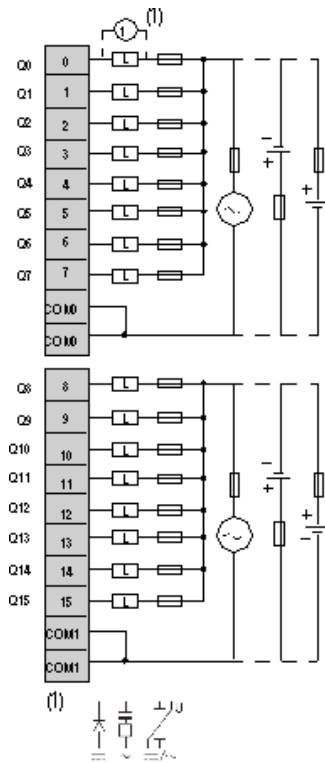
Wiring Requirements

Cable Types and Wire Sizes for Removable Screw Terminal Block

| | | | | | | | | |
|--|-----------------|------------|------------|------------|------------|-------------|-------------|-----|
| | | | | | | | | |
| | mm ² | 0,14...1,5 | 0,25...0,5 | 0,25...1,5 | 0,14...0,5 | 0,14...0,75 | 0,25...0,34 | 0,5 |
| | AWG | 26...16 | 24...20 | 24...16 | 26...20 | 26...18 | 24...22 | 20 |

Digital Relay Output Module (16-contact)

Wiring Diagram



X-ON Electronics

Largest Supplier of Electrical and Electronic Components

Click to view similar products for [I/O Modules](#) category:

Click to view products by [Schneider](#) manufacturer:

Other Similar products are found below :

[70L-IDC5S](#) [70L-OAC-L](#) [70Z3289-4](#) [G21960000700](#) [G21960002700](#) [G34960002700](#) [G88104401](#) [OACU](#) [C4SWOUT](#) [PB16H](#)
[G34960001700](#) [G3TA-OA101SZ-1](#) [DC24](#) [G77-S](#) [G78-16-E](#) [5607189](#) [DA5](#) [ODC-24A](#) [IDC5P](#) [FC6A-N16B1](#) [6421](#) [70MRCQ32-HL](#)
[G3TAOD201SDC24](#) [C200H-LK201-V1](#) [G3TA-OA202SZ-US](#) [DC12](#) [GT1-OD16](#) [GT1-AD04CST](#) [B7AM-6BS](#) [70GRCQ24-HS](#) [6422](#)
[84110410](#) [GT1-OD16MX](#) [G7VC-OC16-B7](#) [70MRCK24-DIN](#) [6202](#) [6402](#) [PI/NI-2D/24](#) [FC6A-J2C1](#) [FC6A-KC1C](#) [FC6A-R081](#) [FC6A-](#)
[J8CU1](#) [GP32900003700](#) [641-480-5022](#) [PB16H](#) [84145010](#) [84110210](#) [FRUSB1601](#) [PCL-720+-BE](#) [FRRJ451601](#) [AP24MX3DB25F](#) [ADAM-](#)
[5053S-AE](#)