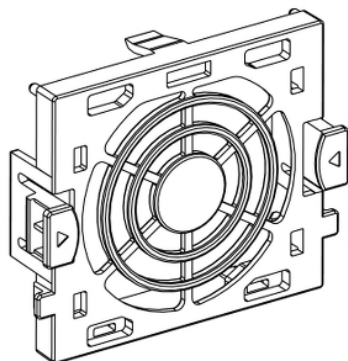


VZ3V1203

Fan for variable speed drive,VSD option,Altivar 61,Altivar 71,Cooling accessory,18 months,Single phase,Three phases



Main

Range of product	Altivar 61 Altivar 71
Accessory / separate part type	Fan kit
Accessory / separate part category	Cooling accessory

Complementary

Product compatibility	Variable speed drive ATV61H 0.75...1.5 kW 200...240 V single or three phases Variable speed drive ATV61H 0.75...2.2 kW 380...480 V three phase Variable speed drive ATV61W 0.75...3 kW 380...480 V three phase Variable speed drive ATV61E 0.75...3 kW 380...480 V three phase Variable speed drive ATV71H 0.37...1.5 kW 200...240 V single or three phases Variable speed drive ATV71H 0.75...2.2 kW 380...480 V three phase Variable speed drive ATV71P 0.75...2.2 kW 380...480 V three phase Variable speed drive ATV71W 0.75...2.2 kW 380...480 V three phase Variable speed drive ATV71E 0.75...2.2 kW 380...480 V three phase
-----------------------	---

Ordering and shipping details

Category	22135 - ATV61-71 ACCESSORIES
Discount Schedule	CP4C
GTIN	3389119206877
Nbr. of units in pkg.	1
Package weight(Lbs)	4.37 oz (124 g)
Returnability	No
Country of origin	ID

Packing Units

Unit Type of Package 1	PCE
Package 1 Height	2.76 in (7 cm)
Package 1 width	6.69 in (17 cm)
Package 1 Length	9.06 in (23 cm)
Unit Type of Package 2	S03
Number of Units in Package 2	7
Package 2 Weight	2.93 lb(US) (1.331 kg)
Package 2 Height	11.81 in (30 cm)
Package 2 width	11.81 in (30 cm)
Package 2 Length	15.75 in (40 cm)

Contractual warranty

Warranty	18 months
----------	-----------

X-ON Electronics

Largest Supplier of Electrical and Electronic Components

Click to view similar products for [Fan Accessories](#) category:

Click to view products by [Schneider](#) manufacturer:

Other Similar products are found below :

[LZ31](#) [63070-2-4013](#) [64442-1-7612](#) [95778-1-5171](#) [99485901](#) [27453.32262](#) [95779-1-5171](#) [9614-2-4013](#) [99485906](#) [F92-B](#) [FG92-W2](#) [2170-4-7320](#) [27453.32298](#) [R88ACPU001M1](#) [R88ACPU001M2](#) [31570-2-4013](#) [LZ22-2](#) [LZ24-1](#) [LZ30-9](#) [LZ37-2](#) [450-20-0025](#) [525-00-0009](#) [450-20-0017](#) [450-20-0020](#) [04.846.1353.0](#) [04.846.1453.0](#) [055032](#) [08121](#) [08188](#) [08124](#) [08196](#) [54476-2-4013](#) [71883-2-4053](#) [63071-2-4013](#) [52544-2-4037](#) [64445-1-7612](#) [66786-4-7320](#) [88601-2-2929](#) [08164](#) [4013-2-4039](#) [R88A-CTW001N](#) [73772-2-3634](#) [73802-2-3634](#) [73805-2-3634](#) [73810-2-3634](#) [73814-2-3634](#) [R88A-CAGC010S](#) [9-8444-PFE](#) [01505-4-6711](#) [9415-2-4039](#)