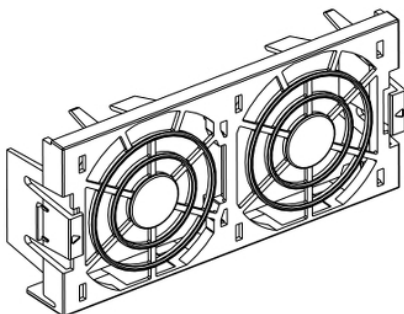


Product availability: Non-Stock - Not normally stocked in distribution facility



Main

Range of product	Altivar 61 Altivar 71
Accessory / separate part type	Fan kit
Accessory / separate part category	Cooling accessory

Complementary

Product compatibility	Variable speed drive ATV61H 5.5 kW 200...240 V single or three phases Variable speed drive ATV61H 5.5...7.5 kW 380...480 V three phase Variable speed drive ATV61W 7.5...11 kW 380...480 V three phase Variable speed drive ATV61E 7.5...11 kW 380...480 V three phase Variable speed drive ATV71H 5.5 kW 200...240 V single or three phases Variable speed drive ATV71H 5.5...7.5 kW 380...480 V three phase Variable speed drive ATV71P 5.5...7.5 kW 380...480 V three phase Variable speed drive ATV71W 5.5...7.5 kW 380...480 V three phase Variable speed drive ATV71E 5.5...7.5 kW 380...480 V three phase
-----------------------	--

Ordering and shipping details

Category	22135 - ATV61-71 ACCESSORIES
Discount Schedule	CP4C
GTIN	00785901828815
Nbr. of units in pkg.	1
Package weight(Lbs)	0.6500000000000002
Returnability	N
Country of origin	ID

Contractual warranty

Warranty period	18 months
-----------------	-----------

The information provided in this documentation contains general descriptions and/or technical characteristics of the performance of the products contained herein. This documentation is not intended as a substitute for and is not to be used for determining suitability or reliability of these products for specific user applications. It is the duty of any such user or integrator to perform the appropriate and complete risk analysis, evaluation and testing of the products with respect to the relevant specific application or use thereof. Neither Schneider Electric Industries SAS nor any of its affiliates or subsidiaries shall be responsible or liable for misuse of the information contained herein.

X-ON Electronics

Largest Supplier of Electrical and Electronic Components

Click to view similar products for [Fan Accessories](#) category:

Click to view products by [Schneider](#) manufacturer:

Other Similar products are found below :

[LZ31](#) [LZ32P-1](#) [63070-2-4013](#) [64442-1-7612](#) [71882-2-4053](#) [73816-2-3634](#) [854589-1](#) [95778-1-5171](#) [99485901](#) [1247-4-6254](#) [RF119](#) [2151-4-7320](#) [27453.32262](#) [95779-1-5171](#) [9614-2-4013](#) [99485906](#) [F92-B](#) [FG92-W2](#) [2170-4-7320](#) [27453.32241](#) [R88ACPU001M1](#) [R88ACPU001M2](#) [31570-2-4013](#) [LZ215](#) [LZ22-2](#) [LZ24-1](#) [LZ24B](#) [LZ30-9](#) [LZ37-2](#) [450-20-0021](#) [450-20-0025](#) [525-00-0009](#) [450-20-0017](#) [450-20-0020](#) [04.846.1353.0](#) [04.846.1453.0](#) [055032](#) [08121](#) [08188](#) [08195](#) [08196](#) [09576-2-4013](#) [54476-2-4013](#) [71883-2-4053](#) [52545-2-4037](#) [63071-2-4013](#) [52544-2-4037](#) [64445-1-7612](#) [66786-4-7320](#) [88601-2-2929](#)