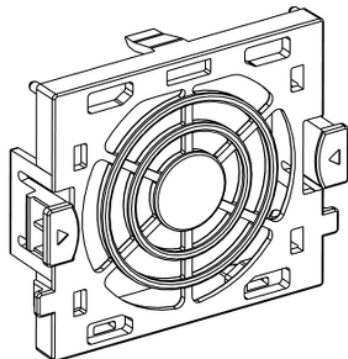


VZ3V1208

Fan for variable speed drives, Fan for industry drives, Fan kit, VSD option, Altivar 61, Altivar 71, Altivar 212, Cooling accessory, Spare part



Main

Range of product	Altivar
Accessory / separate part type	Fan kit
Accessory / separate part category	Cooling accessory

Complementary

Product compatibility	Variable speed drive ATV61 Variable speed drive ATV71 Variable speed drive ATV212 Variable speed drive ATV61 Plus Variable speed drive ATV71 Plus Variable speed drive ATV71Q
-----------------------	--

Ordering and shipping details

Category	22135 - ATV61-71 ACCESSORIES
Discount Schedule	CP4C
GTIN	3389119206938
Nbr. of units in pkg.	1
Package weight(Lbs)	2.21 lb(US) (1.002 kg)
Returnability	No
Country of origin	FR

Packing Units

Unit Type of Package 1	PCE
Package 1 Height	3.54 in (9 cm)
Package 1 width	11.57 in (29.4 cm)
Package 1 Length	11.73 in (29.8 cm)
Unit Type of Package 2	P06
Number of Units in Package 2	15
Package 2 Weight	61.71 lb(US) (27.99 kg)
Package 2 Height	28.94 in (73.5 cm)
Package 2 width	23.62 in (60 cm)
Package 2 Length	31.50 in (80 cm)

Contractual warranty

Warranty	18 months
----------	-----------

X-ON Electronics

Largest Supplier of Electrical and Electronic Components

Click to view similar products for [Fan Accessories](#) category:

Click to view products by [Schneider](#) manufacturer:

Other Similar products are found below :

[LZ31](#) [63070-2-4013](#) [64442-1-7612](#) [95778-1-5171](#) [99485901](#) [27453.32262](#) [95779-1-5171](#) [9614-2-4013](#) [99485906](#) [F92-B](#) [FG92-W2](#) [2170-4-7320](#) [27453.32298](#) [R88ACPU001M1](#) [R88ACPU001M2](#) [31570-2-4013](#) [LZ22-2](#) [LZ24-1](#) [LZ30-9](#) [LZ37-2](#) [450-20-0025](#) [525-00-0009](#) [450-20-0017](#) [450-20-0020](#) [04.846.1353.0](#) [04.846.1453.0](#) [055032](#) [08121](#) [08188](#) [08124](#) [08196](#) [54476-2-4013](#) [71883-2-4053](#) [63071-2-4013](#) [52544-2-4037](#) [64445-1-7612](#) [88601-2-2929](#) [08164](#) [4013-2-4039](#) [R88A-CTW001N](#) [73772-2-3634](#) [73802-2-3634](#) [73805-2-3634](#) [73810-2-3634](#) [73814-2-3634](#) [R88A-CAGC010S](#) [9-8444-PFE](#) [01505-4-6711](#) [9415-2-4039](#) [OA300/BRK](#)