

Product availability: Non-Stock - Not normally stocked in distribution facility



Main

| | |
|---------------------------|-------------------------|
| Range of product | Harmony XAC |
| Product or component type | Pendant control station |
| Device short name | XACB |

Complementary

| | |
|---|--|
| Control station type | Double insulated |
| Enclosure material | Glass reinforced polyester |
| Electrical circuit type | Power circuit |
| Enclosure type | Complete ready for use |
| Control station application | Control of single speed hoist motor |
| Control station composition | 2 push-buttons |
| Control button type | First push-button 3-pole raise, slow Second push-button 3-pole lower, slow |
| Product compatibility | XESD2201 for reversing operation |
| Mechanical interlocking | With mechanical interlocking |
| Control station colour | Yellow |
| Connections - terminals | Screw clamp terminals 1 x 2.5 mm ² with or without cable end Screw clamp terminals 2 x 1.5 mm ² with or without cable end |
| Standards | CSA C22.2 No 14 EN/IEC 60947-5-1 EN/IEC 60204-32 |
| Product certifications | CSA type 4 |
| Protective treatment | TH |
| Ambient air temperature for operation | -13...158 °F (-25...70 °C) |
| Ambient air temperature for storage | -40...158 °F (-40...70 °C) |
| Vibration resistance | 15 gn 10...500 Hz IEC 60068-2-6 |
| Shock resistance | 100 gn IEC 60068-2-27 |
| Overvoltage category | Class II IEC 61140 |
| IP degree of protection | IP65 IEC 60529 |
| Mechanical durability | 1000000 cycles |
| Cable entry | Rubber sleeve with stepped entry 10...22 mm |
| [I _{th} e] conventional enclosed thermal current | 20 A |
| [U _i] rated insulation voltage | 300 V CSA 500 V 3 IEC 60947-1 |
| [U _{imp}] rated impulse withstand voltage | 6 kV IEC 60947-1 |
| Contact operation | Snap action |
| Operating force | 32 N push-button |
| Short-circuit protection | <= 12 A fuse protection cartridge aM |
| Rated power in hp | 3 hp 240 V |
| Rated operational power in W | 3000 W 240 V 3000 W 400 V |

The information provided in this documentation contains general descriptions and/or technical characteristics of the performance of the products contained herein. This documentation is not intended as a substitute for and is not to be used for determining suitability or reliability of these products for specific user applications. It is the duty of any such user or integrator to perform the appropriate and complete risk analysis, evaluation and testing of the products with respect to the relevant specific application or use thereof. Neither Schneider Electric Industries SAS nor any of its affiliates or subsidiaries shall be responsible or liable for misuse of the information contained herein.

| | |
|-------------------------------|--|
| Electrical durability | 1000000 cycles AC-3 3000 W 400 V 10 cyc/mn 0.4 IEC 60947-3 appendix A 1000000 cycles AC-4 3000 W 400 V 10 cyc/mn 0.4 IEC 60947-3 appendix A 700000 cycles AC-3 3000 W 240 V 10 cyc/mn 0.4 IEC 60947-3 appendix A 700000 cycles AC-4 3000 W 240 V 10 cyc/mn 0.4 IEC 60947-3 appendix A |
| Terminals description ISO n°1 | (63-64)NO (73-74)NO (13-14)NO (53-54)NO (23-24)NO (33-34)NO |
| Terminal identifier | (13-14)NO (11-12)NC |
| Product weight | 0.78 lb(US) (0.355 kg) |

Ordering and shipping details

| | |
|-----------------------|------------------------------|
| Category | 22473 - PUSHBUTTON, PENDANTS |
| Discount Schedule | CS2 |
| GTIN | 003389110636161 |
| Nbr. of units in pkg. | 1 |
| Package weight(Lbs) | 1.98 |
| Returnability | N |
| Country of origin | CZ |

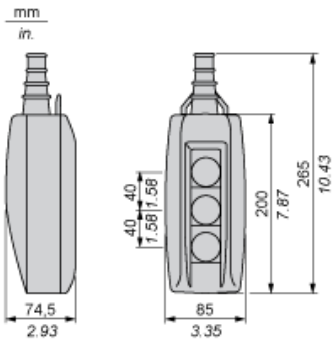
Offer Sustainability

| | |
|---------------------------|--|
| California proposition 65 | WARNING: This product can expose you to chemicals including: |
| ----- Substance 1 | Nickel compounds, which is known to the State of California to cause cancer, and |
| ----- Substance 2 | Di-isodecyl phthalate (DIDP), which is known to the State of California to cause birth defects or other reproductive harm. |
| ----- More information | For more information go to www.p65warnings.ca.gov |

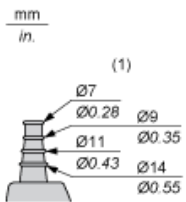
Contractual warranty

| | |
|-----------------|-----------|
| Warranty period | 18 months |
|-----------------|-----------|

Dimensions



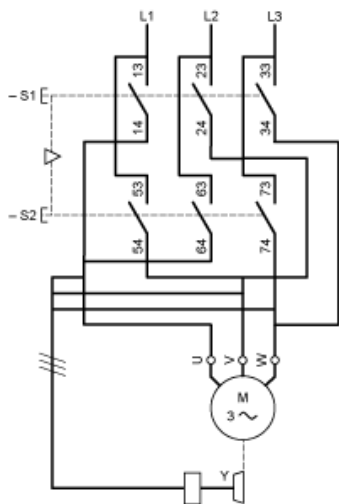
Protective cable sleeves



(1) Internal \varnothing

Control of Single-Speed Reversing Motor 3-Phase switching, Reversing by 2-Phase Inversion

With XESD2201 contact block, to be ordered separately



X-ON Electronics

Largest Supplier of Electrical and Electronic Components

Click to view similar products for [Switch Cases / Switch Covers](#) category:

Click to view products by [Schneider](#) manufacturer:

Other Similar products are found below :

[704.925.2](#) [AMS-8C](#) [DPS8L2](#) [DPS8P2](#) [DPS8PW2](#) [AP-DV](#) [PBBOX1HBY](#) [PBBOX4HBY](#) [SA1074](#) [HE9Z-D5Y](#) [3107](#) [A3C-3002](#) [L188](#)
[EUK-704.927.0](#) [EUK-704.927.4](#) [HE9Z-D5N1](#) [W42](#) [L180](#) [M539](#) [HE9Z-D5B](#) [08-0-0-01](#) [905](#) [08-0-0-02](#) [M1080](#) [A165-CTA](#) [435238-5](#)
[M1080-1](#) [704.927.6](#) [51-920](#) [61-9922.0](#) [HW9Z-KL1](#) [9001K7](#) [A3PJ-5060](#) [113160](#) [2202](#) [113260](#) [2202](#) [113260](#) [M12](#) [2201](#) [L167](#) [SA1072](#)
[M1080-2](#) [PBBOX1HBG](#) [PBBOX3HBG](#) [PBBOX4HBG](#) [1.20.810.302/0000](#) [3109](#) [3103](#) [3206](#) [3209](#) [61-9920.0](#) [61-9924.0](#) [76P02](#) [76P06](#)