



Main

| | |
|-------------------------------|-------------|
| Range of Product | Harmony XB5 |
| Sale per indivisible quantity | 1 |
| Product or Component Type | Timer |

Complementary

| | |
|---------------------------------------|--|
| Bezel material | Plastic |
| Fixing collar material | Plastic |
| Mounting diameter | 0.87 in (22 mm) |
| Panel Thickness | 0.24 in (6 mm) |
| Shape of signaling unit head | Round |
| Time delay range | 3...60 s |
| Time delay type | A |
| Repeat accuracy | +/- 0.5 % |
| Setting accuracy of time delay | +/- 10 % of full scale 77 °F (25 °C) EN/IEC 61812-1 |
| Temperature drift | +/- 0.05 %/°C |
| Voltage drift | +/- 0.2 %/V |
| Protection Type | Overvoltage protection |
| Output Type | Open collector PNP |
| Temporary permissible current | 10 A 0.01 s |
| Minimum switching current | 10 mA |
| Voltage drop in closed state | 5 V |
| Network type | AC |
| Residual current in open state | 5 mA |
| Power Consumption in W | 1 W |
| Power Consumption in VA | 1.5 VA |
| Reset time | 30 Ms after time delay on de-energisation 60 ms during time delay on de-energisation |
| Local signalling | LED green, steady timing in progress LED, stop or suppress no timing in progress and output relay energised |
| [Us] rated supply voltage | 110...230 V AC/DC |
| Supply voltage limits | 93.5...253 V AC/DC |
| Output short-circuit protection | With |
| Connections - terminals | Screw terminals 1 x 4 mm ² EN/IEC 60947-1 Screw terminals 1 x 2.5 mm ² EN/IEC 60947-1 |
| IP degree of protection | Front IP65 IEC 60529 Back IP20 IEC 60529 |
| Ambient air temperature for operation | -4...140 °F (-20...60 °C) |
| Ambient Air Temperature for Storage | -4...176 °F (-20...80 °C) |
| Tightening torque | 4.43 lbf.in (0.5 N.m) |

| | |
|--|--|
| Dielectric strength | 1500 V EN/IEC 61812-1 |
| [Ui] rated insulation voltage | 250 V EN 60947-1 250 V IEC 60664-1 |
| [Uimp] rated impulse withstand voltage | 4 kV EN 60947-1 4 kV IEC 60664-1 |
| Surge withstand | 2 kV, level 2 IEC 61000-4-5 |
| Overvoltage category | Class 3 IEC 60536 Class 3 IEC 60664-1 |
| Pollution degree | 3 |
| Vibration resistance | 0.15 mm 10...60 Hz)IEC 60068-2-6 2 gn 60...150 Hz)IEC 60068-2-6 |
| Shock resistance | +/- 15 gn 11 ms 6 shocks on each axis)IEC 60068-2-27 |
| Resistance to fast transients | 2 kV level 3 IEC 61000-4-4 |
| Electromagnetic compatibility | Electrostatic discharge 6 kV level 3 conforming to IEC 61000-4-2 Electromagnetic emission class B conforming to IEC 55011 |
| Resistance to electromagnetic fields | 9.14 V/m (10 V/m) 80 MHz...1 GHz level 3 IEC 61000-4-3 2.74 V/m (3 V/m) 1.4...2 GHz level 3 IEC 61000-4-3 0.91 V/m (1 V/m) 2...2.7 GHz level 3 IEC 61000-4-3 |
| Immunity to radioelectric fields | 10 V level 3 EN/IEC 61000-4-6 |
| Disturbance radiated/conducted | Class B EN 50022 |
| Standards | EN/IEC 61812-1 UL 508 |
| Product Certifications | CE UL Listed |
| Height | 2.44 in (62 mm) |
| Diameter | 1.14 in (29 mm) |
| Net Weight | 0.06 lb(US) (0.027 kg) |
| Device presentation | Monolithic product |

Ordering and shipping details

| | |
|-----------------------|--------------------|
| Category | 00028 - DATA PORTS |
| Discount Schedule | CS2 |
| GTIN | 3606481205513 |
| Nbr. of units in pkg. | 1 |
| Package weight(Lbs) | 1.06 oz (30 g) |
| Returnability | No |
| Country of origin | FR |

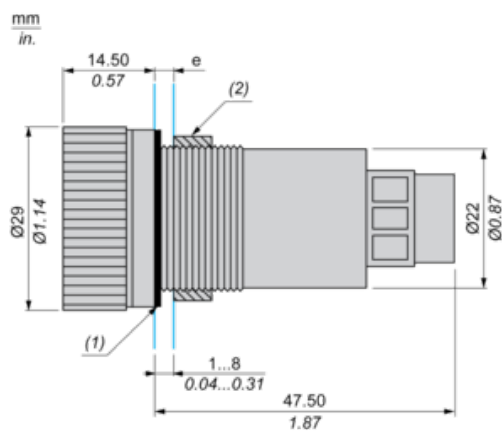
Packing Units

| | |
|------------------------------|------------------------|
| Unit Type of Package 1 | PCE |
| Package 1 Height | 1.26 in (3.2 cm) |
| Package 1 width | 1.26 in (3.2 cm) |
| Package 1 Length | 2.95 in (7.5 cm) |
| Unit Type of Package 2 | S01 |
| Number of Units in Package 2 | 72 |
| Package 2 Weight | 5.21 lb(US) (2.365 kg) |
| Package 2 Height | 5.91 in (15 cm) |
| Package 2 width | 5.91 in (15 cm) |
| Package 2 Length | 15.75 in (40 cm) |

Offer Sustainability

| | |
|----------------------------|--|
| Sustainable offer status | Green Premium product |
| California proposition 65 | WARNING: This product can expose you to chemicals including: Nickel compounds, which is known to the State of California to cause cancer, and Di-isodecyl phthalate (DIDP), which is known to the State of California to cause birth defects or other reproductive harm. For more information go to www.P65Warnings.ca.gov |
| REACH Regulation | REACH Declaration |
| EU RoHS Directive | Pro-active compliance (Product out of EU RoHS legal scope) EU RoHS Declaration |
| Mercury free | Yes |
| RoHS exemption information | Yes |
| China RoHS Regulation | China RoHS Declaration |
| Environmental Disclosure | Product Environmental Profile |
| Circularity Profile | End Of Life Information |
| WEEE | The product must be disposed on European Union markets following specific waste collection and never end up in rubbish bins. |

Dimensions



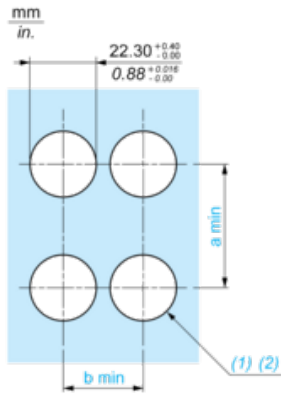
(e) Clamping thickness: 1 mm to 6 mm / 0.03 in. to 0.24 in.

(1) Sealing ring

(2) Screw

Panel Cut-out for Analog Timer (Finished Holes, Ready for Installation)

Connection by Screw Clamp Terminals or Plug-in Connectors

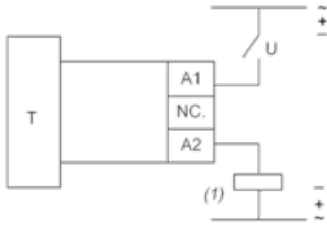


(1) Diameter on finished panel or support

(2) Ø22 mm recommended (Ø22.3 0+0.4) / Ø0.89 in. recommended (Ø0.88 in. 0^{+0.016})

| Connections | a in mm | a in in. | b in mm | b in in. |
|---|---------|----------|---------|----------|
| By screw clamp terminals or plug-in connector | 50 | 1.97 | 30 | 1.18 |

Wiring Diagram



U : Supply (100...240 VAC/DC)

T : Timer

(1) Load

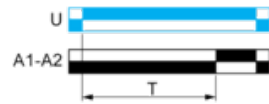
NC : No Connection

Function A : On Delay Timer

Description

The timing period T begins on energisation with LED On. After timing, the output (A1-A2) closes and LED Off

Function: Output



De-energised

Energised

□ Output open

■ Output closed

(U) Supply

(A1- A2) Timed output

X-ON Electronics

Largest Supplier of Electrical and Electronic Components

Click to view similar products for [Timers](#) category:

Click to view products by [Schneider](#) manufacturer:

Other Similar products are found below :

[79237785](#) [H5AN-4DM DC12-24](#) [H5CN-YAN AC100-240](#) [H5CX-L8S-N AC100-240](#) [H5AN-4D DC12-24](#) [THR2U-110A](#) [81506944](#)
[88225029](#) [H5S-YB4-X](#) [H7AN-2D DC12-24](#) [H5CN-XANS DC12-48](#) [H7AN-W4DM DC12-24](#) [H7AN-4DM DC12-24](#) [H7AN-4D DC12-24](#)
[H7AN-RT6M AC100-240](#) [600DT-CU](#) [7PV1513-1AP30](#) [7PV1538-1AW30](#) [1SVR508020R0000](#) [1SVR508100R0000](#) [1SVR550127R4100](#)
[1SVR550212R4100](#) [1SVR730010R3200](#) [1SVR730020R3300](#) [1SVR730120R3100](#) [1SVR730180R3100](#) [1SVR730211R2300](#) [PCU-511UNI](#)
[H3C-R](#) [H3CR-A8-301 24-48AC/12-48DC](#) [H3CR-A8E 24-48AC/DC](#) [H3CR-F8 100-240AC/100-125DC](#) [H3CR-FN 100-240AC/100-125DC](#)
[H3DK-G 24-230AC/DC](#) [H3DK-HBL AC/DC24-48](#) [H3DK-M1A DC12](#) [LT4H-AC24V](#) [LT4HW8-AC240V](#) [LT4HW-AC240V](#) [LT4HW-](#)
[AC240VS](#) [LT4HW-AC24VS](#) [31L48AP](#) [31L48TPM240](#) [RC302](#) [RC312](#) [REV-201M](#) [RG](#) [ETR4-51-A](#) [AT78041](#) [AT78051](#)