

XB5S4B2L2

Monostable USB Biometric switch - connection by 2m cable

Product availability: Stock - Normally stocked in distribution facility



Main

| | |
|-------------------------------|---|
| Product or component type | Biometric switch |
| Product specific application | Materials handling Industrial machines |
| Device short name | XB5S |
| Bezel material | Plastic |
| Mounting diameter | 0.87 in (22 mm) |
| Output type | PNP |
| Sale per indivisible quantity | 1 |
| IP degree of protection | IP65 front face conforming to EN/IEC 60529 IP20 rear face conforming to EN/IEC 60529 |
| Type of operator | Momentary |
| Operator profile | Fingerprint reader |
| Connections - terminals | 1 pre-wired cable, clamping capacity: 3 x 0.11 mm ² |
| Memory usage | 200 users with up to 2 fingerprints per user |

Complementary

| | |
|---------------------------|---|
| Software designation | XB5SSoft |
| Enclosure material | Polyamide PA66 |
| Cable insulation material | PvR |
| Operating position | Horizontal position Flat surface installation Vertical surface installation |
| Function of module | Monostable |
| Product weight | 0.45 lb(US) (0.202 kg) |
| Marking | CE |
| Port protocol | USB |
| Connector type | USB type A male with 3.28 ft (1 m) cable |
| Local signalling | 1 LED green, function: output state indicator 1 LED red, function: error |
| Short-circuit protection | 250 mA by gG external fuse |
| [Us] rated supply voltage | 24 V DC |
| Electrical connection | Free wire ends with 3 wires of 6.56 ft (2 m) |
| Supply voltage limits | 20...30 V DC |
| Protection type | Overload protection Short-circuit Reverse polarity |
| Maximum switching current | 200 mA |
| [Ures] residual voltage | 1 V, closed state |
| Current consumption | <= 70 mA no-load |
| Delay first up | <= 3 s + 0.5 ms per user registered |
| Delay recovery | <= 1.5 s |
| Delay response | <= 1.5 s |

The information provided in this documentation contains general descriptions and/or technical characteristics of the performance of the products contained herein. This documentation is not intended as a substitute for and is not to be used for determining suitability or reliability of these products for specific user applications. It is the duty of any such user or integrator to perform the appropriate and complete risk analysis, evaluation and testing of the products with respect to the relevant specific application or use thereof. Neither Schneider Electric Industries SAS nor any of its affiliates or subsidiaries shall be responsible or liable for misuse of the information contained herein.


Environment

| | |
|---------------------------------------|--|
| Range of product | Harmony XB5S |
| Ambient air temperature for storage | -13...158 °F (-25...70 °C) |
| Ambient air temperature for operation | 23...122 °F (-5...50 °C) |
| NEMA degree of protection | NEMA 12 |
| Standards | IEC 61000-6-4 IEC 61000-6-2 |
| Product certifications | UL CSA |
| Vibration resistance | +/- 3 mm (f = 5...9 Hz) conforming to IEC 60068-2-6 1 gn (f = 9...500 Hz) conforming to IEC 60068-2-6 |
| Shock resistance | 50 gn 11 ms conforming to IEC 60068-2-27 |

Ordering and shipping details

| | |
|-----------------------|--|
| Category | 22471 - BIOMETRIC PUSHBUTTON DO NOT NEGOT. |
| Discount Schedule | I |
| GTIN | 00785901438083 |
| Nbr. of units in pkg. | 1 |
| Package weight(Lbs) | 0.44 |
| Returnability | Y |
| Country of origin | FR |

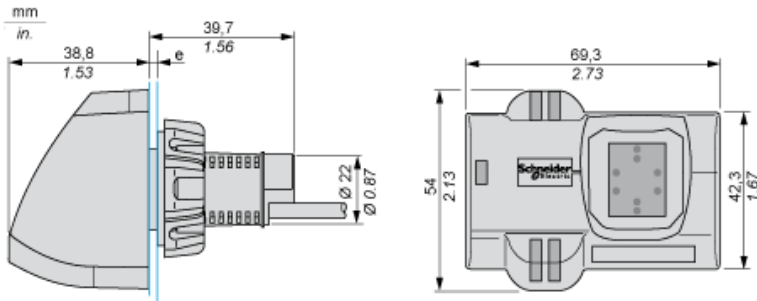
Offer Sustainability

| | |
|-------------------------------|---|
| RoHS (date code: YYWW) | Compliant - since 0844 - Schneider Electric declaration of conformity  Schneider Electric declaration of conformity |
| REACH | Reference not containing SVHC above the threshold |
| Product environmental profile | Available |
| California proposition 65 | WARNING: This product can expose you to chemicals including: |
| ----- Substance 1 | Lead and lead compounds, which is known to the State of California to cause cancer and birth defects or other reproductive harm. |
| ----- More information | For more information go to www.p65warnings.ca.gov |

Contractual warranty

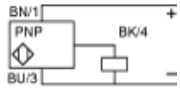
| | |
|-----------------|-----------|
| Warranty period | 18 months |
|-----------------|-----------|

Dimensions of Biometric Switches



e: 1 to 6 mm / 0.04 to 0.24 in.

Cable with PNP Output



BU: Blue
BN: Brown
BK: Black

X-ON Electronics

Largest Supplier of Electrical and Electronic Components

Click to view similar products for [Control Switches](#) category:

Click to view products by [Schneider](#) manufacturer:

Other Similar products are found below :

[80887-99](#) [80932-99](#) [86855-00](#) [88814-30](#) [89721-12](#) [89804-08](#) [EX0011-1](#) [SSN](#) [RL01801](#) [50051857-17](#) [50099156-001-05](#) [51.155R-15200](#)
[50058920-26](#) [KMK-PA](#) [RAL9005](#) [M16](#) [ACCU-SC/L-3000](#) [PORTAPRO](#) [CFPS-73-48M](#) [WEL.PT-O6](#) [WEL.PT-L8](#) [WEL.PT-K7](#) [WEL.PT-](#)
[H7](#) [WEL.PT-E9](#) [WEL.PT-D7](#) [WEL.PT-B7](#) [WEL.PT-AA9](#) [WEL.PT-AA8](#) [WEL.PT-A8](#) [WEL.LT-F](#) [WEL.LT-4](#) [WEL.LT-1LX](#) [WEL.LT-1L](#)
[WEL.ET-BB](#) [WEL.CT5B7](#) [WEL.51361699](#) [RGFRA1903041A1T](#) [PLC-60/75](#) [PLC-30/40](#) [PLC-24/30](#) [PLC-40/55](#) [LOC-MIKSER2](#) [8522808](#)
[CC-100N](#) [V8Y-11Z-Y](#) [V8Y-11Z-R](#) [V8Y-11Z-O](#) [V8Y-11Z-24R](#) [V8Y-11Z-24O](#) [V8Y-11Z-230B](#) [V8Y-11-230W](#) [V8Y-11-230O](#)