

Product availability: Stock - Normally stocked in distribution facility



Main

Product or component type	Biometric switch
Product specific application	Industrial machines Materials handling
Device short name	XB5S
Bezel material	Plastic
Mounting diameter	0.87 in (22 mm)
Output type	PNP
Sale per indivisible quantity	1
IP degree of protection	IP65 front face conforming to EN/IEC 60529 IP20 rear face conforming to EN/IEC 60529
Type of operator	Momentary
Operator profile	Fingerprint reader
Memory usage	200 users with up to 2 fingerprints per user

Complementary

Software designation	XB5SSoft
Enclosure material	Polyamide PA66
Cable insulation material	PvR
Operating position	Flat surface installation Horizontal position Vertical surface installation
Function of module	Monostable
Product weight	0.47 lb(US) (0.215 kg)
Marking	CE
Port protocol	USB
Connector type	USB type A male with 3.28 ft (1 m) cable
Local signalling	1 LED green, function: output state indicator 1 LED red, function: error
Short-circuit protection	250 mA by gG external fuse
[Us] rated supply voltage	24 V DC
Electrical connection	M12 connector of 0.66 ft (0.2 m)
Supply voltage limits	20...30 V DC
Protection type	Overload protection Reverse polarity Short-circuit
Maximum switching current	200 mA
[Ures] residual voltage	1 V, closed state
Current consumption	<= 70 mA no-load
Delay first up	<= 3 s + 0.5 ms per user registered
Delay recovery	<= 1.5 s
Delay response	<= 1.5 s

The information provided in this documentation contains general descriptions and/or technical characteristics of the performance of the products contained herein. This documentation is not intended as a substitute for and is not to be used for determining suitability or reliability of these products for specific user applications. It is the duty of any such user or integrator to perform the appropriate and complete risk analysis, evaluation and testing of the products with respect to the relevant specific application or use thereof. Neither Schneider Electric Industries SAS nor any of its affiliates or subsidiaries shall be responsible or liable for misuse of the information contained herein.


Environment

Range of product	Harmony XB5S
Ambient air temperature for storage	-13...158 °F (-25...70 °C)
Ambient air temperature for operation	23...122 °F (-5...50 °C)
NEMA degree of protection	NEMA 12
Standards	IEC 61000-6-2 IEC 61000-6-4
Product certifications	CSA UL
Vibration resistance	+/- 3 mm (f = 5...9 Hz) conforming to IEC 60068-2-6 1 gn (f = 9...500 Hz) conforming to IEC 60068-2-6
Shock resistance	50 gn 11 ms conforming to IEC 60068-2-27

Ordering and shipping details

Category	22471 - BIOMETRIC PUSHBUTTON DO NOT NEGOT.
Discount Schedule	I
GTIN	00785901375203
Nbr. of units in pkg.	1
Package weight(Lbs)	0.4199999999999998
Returnability	Y
Country of origin	FR

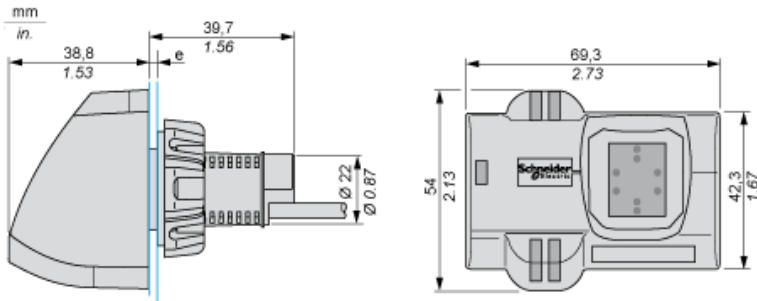
Offer Sustainability

RoHS (date code: YYWW)	Compliant - since 0844 - Schneider Electric declaration of conformity  Schneider Electric declaration of conformity
REACH	Reference not containing SVHC above the threshold
Product environmental profile	Available
California proposition 65	WARNING: This product can expose you to chemicals including:
----- Substance 1	Lead and lead compounds, which is known to the State of California to cause cancer and birth defects or other reproductive harm.
----- More information	For more information go to www.p65warnings.ca.gov

Contractual warranty

Warranty period	18 months
-----------------	-----------

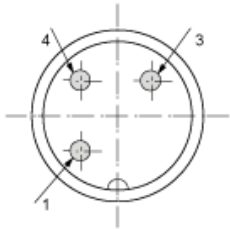
Dimensions of Biometric Switches



e: 1 to 6 mm / 0.04 to 0.24 in.

M12 Connector

M12 connector



- 1 : (+)
- 3 : (-)
- 4 : Output

X-ON Electronics

Largest Supplier of Electrical and Electronic Components

Click to view similar products for [Control Switches](#) category:

Click to view products by [Schneider](#) manufacturer:

Other Similar products are found below :

[80887-99](#) [80932-99](#) [86855-00](#) [88814-30](#) [89721-12](#) [89804-08](#) [EX0011-1](#) [SSN](#) [RL01801](#) [50051857-17](#) [50099156-001-05](#) [51.155R-15200](#)
[50058920-26](#) [KMK-PA](#) [RAL9005](#) [M16](#) [ACCU-SC/L-3000](#) [PORTAPRO](#) [CFPS-73-48M](#) [WEL.PT-O6](#) [WEL.PT-L8](#) [WEL.PT-K7](#) [WEL.PT-](#)
[H7](#) [WEL.PT-E9](#) [WEL.PT-D7](#) [WEL.PT-B7](#) [WEL.PT-AA9](#) [WEL.PT-AA8](#) [WEL.PT-A8](#) [WEL.LT-F](#) [WEL.LT-4](#) [WEL.LT-1LX](#) [WEL.LT-1L](#)
[WEL.ET-BB](#) [WEL.CT5B7](#) [WEL.51361699](#) [RGFRA1903041A1T](#) [PLC-60/75](#) [PLC-30/40](#) [PLC-24/30](#) [PLC-40/55](#) [LOC-MIKSER2](#) [8522808](#)
[CC-100N](#) [V8Y-11Z-Y](#) [V8Y-11Z-R](#) [V8Y-11Z-O](#) [V8Y-11Z-24R](#) [V8Y-11Z-24O](#) [V8Y-11Z-230B](#) [V8Y-11-230W](#) [V8Y-11-230O](#)