

Product availability: Stock - Normally stocked in distribution facility



Main

Range of product	Magelis XBTN
Product or component type	Small panel with keypad
Display resolution	122 x 32 pixels
Software type	Configuration software
Software designation	Vijeo Designer Lite
Operating system	Magelis

Complementary

Display type	Extra-bright matrix backlit LCD
Display colour	Red Green Orange
Character font	Greek ASCII Katakana Chinese (simplified Chinese) Cyrillic
[Us] rated supply voltage	24 V DC
Supply	External source
Supply voltage limits	18...30 V
Residual ripple	1200 mV
Power consumption in W	<= 5 W
Number of key	8
Number of fixed keys	4
Number of customisable keys	4
Local signalling	6 LEDs
Number of pages	200 application pages 256 alarm pages
Memory type	Flash
Memory capacity	512 kB
Integrated connection type	Power supply: removable screw terminal block Printer port: female mini DIN Serial link: female SUB-D 25, asynchronous transmission mode (RS232C/ RS485), multidrop topology
Realtime clock	Access to the PLC real-time clock
Product mounting	Flush mounting
Fixing mode	By 2 spring clips
Display material	Polyester
Front material	PPT
Keypad material	Polyester
Marking	CE
Width	5.2 in (132 mm)
Height	2.91 in (74 mm)
Depth	1.69 in (43 mm)

The information provided in this documentation contains general descriptions and/or technical characteristics of the performance of the products contained herein. This documentation is not intended as a substitute for and is not to be used for determining suitability or reliability of these products for specific user applications. It is the duty of any such user or integrator to perform the appropriate and complete risk analysis, evaluation and testing of the products with respect to the relevant specific application or use thereof. Neither Schneider Electric Industries SAS nor any of its affiliates or subsidiaries shall be responsible or liable for misuse of the information contained herein.

Cut-out dimensions	119.4 (+/- 0.5) x 63 (+/- 0.4) mm
Product weight	0.84 lb(US) (0.38 kg)

Environment

Messages display capacity	1 line of 5 characters minimum 4 lines of 20 characters maximum
Downloadable protocols	Modbus Uni-TE Third party protocols
Standards	UL 508 CSA C22.2 No 14 IEC 61131-2 IEC 60068-2-6 IEC 60068-2-27
Product certifications	ATEX zone 2/22 UL 1604 UL Class 1 Division 2 CSA Class 1 Division 2
Ambient air temperature for operation	32...131 °F (0...55 °C)
Ambient air temperature for storage	-4...140 °F (-20...60 °C)
Relative humidity	0...85 % without condensation
IP degree of protection	IP20 (rear panel) conforming to IEC 60529 IP65 (front panel) conforming to IEC 60529
NEMA degree of protection	NEMA 4X front panel (outdoor use)
Shock resistance	15 gn 11 ms
Vibration resistance	+/- 3.5 mm (f = 2...8.45 Hz) 1 gn (f = 8.45...150 Hz)

Ordering and shipping details

Category	22570 - MAGELIS TEXT DISPLAYS & ACCESS
Discount Schedule	MC2
GTIN	00785901673392
Nbr. of units in pkg.	1
Package weight(Lbs)	0.9400000000000006
Returnability	Y
Country of origin	CN

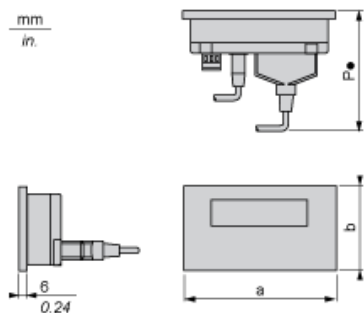
Offer Sustainability

California proposition 65	WARNING: This product can expose you to chemicals including:
----- Substance 1	Lead and lead compounds, which is known to the State of California to cause cancer and birth defects or other reproductive harm.
----- More information	For more information go to www.p65warnings.ca.gov

Contractual warranty

Warranty period	18 months
-----------------	-----------

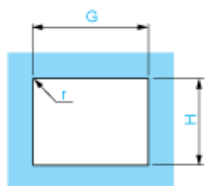
Dimensions



a		b		b1 (1)		P3 (2)		P4 (3)	
mm	in.	mm	in.	mm	in.	mm	in.	mm	in.
132	5.19	74	3	104	4.09	58	2.28	104	4.09

- (1) With fixing clips (included with product)
 (2) P3: depth with 25-way SUB-D angled cable XBTZ9680 (for Twido, TSX Micro and Premium) or XBTZ998 (for Modicon STB)
 (3) P4: depth with 25-way SUB-D cable XBTZ68/Z9681(for Twido, TSX Micro and Premium)

Cut-out for Flush Mounting



Panel thickness = 1.5...6 mm / 0.05...0.23 in.

H		G		r max.	
±0.4 mm	±0.02 in.	±0.5 mm	±0.02 in.	mm	in.
63	2.48	119.4	5	1.5	0.05

X-ON Electronics

Largest Supplier of Electrical and Electronic Components

Click to view similar products for [Display Modules](#) category:

Click to view products by [Schneider](#) manufacturer:

Other Similar products are found below :

[P6153-PR](#) [TDP0700T800480PCAP](#) [P6171DPR-DC-RS](#) [P6171DPR-DC-U](#) [MIKROMEDIA 4 FOR STM32F4 CAPACITIVE FPI](#)
[MIKROMEDIA 3 FOR STM32F4 CAPACITIVE FPI](#) [TN0216ANVNANN-GN00](#) [TN0104ANVAANN-GN00](#) [TN0181ANVNANN-GN00](#)
[MIKROMEDIA 5 FOR TIVA CAPACITIVE](#) [MIKROMEDIA 4 FOR TIVA CAPACITIVE](#) [MIKROMEDIA 4 FOR PIC32MZ CAPACITIVE](#)
[RVT43ULFNWC03 V4](#) [SM-RVT101HVBFWCA0](#) [SM-RVT101HVBNWCA0](#) [SM-RVT35HHBFWCA0](#) [SM-RVT35HHBNWCA0](#) [SM-](#)
[RVT43HLBNWCA0](#) [SM-RVT50HQBFWCA0](#) [SM-RVT50HQBNWCA0](#) [SM-RVT70HSBFWCA0](#) [SM-RVT70HSBNWCA0](#) [11769](#)
[MIKROMEDIA FOR DSPIC33](#) [MIKROMEDIA FOR PIC24](#) [MIKROMEDIA FOR PIC32](#) [MIKROMEDIA FOR STELLARIS M3](#)
[MIKROMEDIA HMI 3.5 RES](#) [MIKROMEDIA HMI 5](#) [MIKROMEDIA PLUS FOR FT90X](#) [MIKROMEDIA PLUS FOR PIC32MX7 SHIELD](#)
[MIKROMEDIA PROTO SHIELD](#) [14628](#) [MIKROMEDIA 5 FOR TIVA](#) [MIKROMEDIA 5 FOR TIVA SHIELD](#) [MIKROMEDIA 7 FOR](#)
[STM32F4](#) [MIKROMEDIA CONNECT SHIELD](#) [MIKROMEDIA FOR ARM](#) [MIKROMEDIA FOR PSOC5LP](#) [MIKROMEDIA GAMING](#)
[SHIELD](#) [MIKROMEDIA HMI 4.3 UXB](#) [MIKROMEDIA HMI 5 RES](#) [MIKROMEDIA HMI 5 UXB](#) [MIKROMEDIA HMI 7](#) [MIKROMEDIA](#)
[HMI BREAKOUT BOARD](#) [RVT70AQFNWC00](#) [18207](#) [PIS-0260](#) [GEN4-ULCD-50D-PI](#) [GEN4-ULCD-70D](#)