

XBTRT500

small panel touchscreen+keypad - matrix
screen - green - 198 x 80 pixels - 5VDC



Main

Range of Product	Magelis XBTRT
Display Resolution	198 x 80 pixels
Software Type	Configuration software
Software Designation	Vijeo Designer Lite
Operating System	Windows

Complementary

Display Type	Extra-bright matrix backlit LCD
Touch panel	Matrix
Touch sensitive zone	11 x 5 cells
Character font	Latin Chinese (simplified Chinese) Cyrillic Katakana Greek
Number of key	12
Number of fixed keys	2
Number of customisable keys	10
Number of pages	256 alarm pages 200 application pages
Memory type	Flash
Memory capacity	512 kB
Integrated connection type	Serial link female RJ45, asynchronous RS232C/RS485)point-to-point
Realtime clock	Access to the PLC real-time clock
Range Compatibility	Modicon M340 Modicon Premium Twido Modicon TSX Micro
Product mounting	Flush mounting
Fixing mode	By 4 spring clips 1.5 to 6 mm thick panel)
Display material	Polyester
Front material	PPT
Keypad material	Polyester
Marking	CE
Height	4.65 in (118 mm)
Width	5.39 in (137 mm)
Depth	3.11 in (79 mm)
Cut-out dimensions	119.6 (+/- 0.5) x 105.2 (+/- 0.4) mm
Net Weight	1.21 lb(US) (0.55 kg)

The information provided in this documentation contains general descriptions and/or technical characteristics of the performance of the products contained herein. This documentation is not intended as a substitute for and is not to be used for determining suitability or reliability of these products for specific user applications. It is the duty of any such user or integrator to perform the appropriate and complete risk analysis, evaluation and testing of the products with respect to the relevant specific application or use thereof. Neither Schneider Electric Industries SAS nor any of its affiliates or subsidiaries shall be responsible or liable for misuse of the information contained herein.

Environment

Product or Component Type	Small panel with touchscreen and keypad
Display colour	Green
Display capacity	10 lines of 33 characters maximum 2 lines of 5 characters minimum Graphic objects (bargraph, button, light...)
[Us] rated supply voltage	5 V DC
Supply	From PLC (terminal port)
Downloadable protocols	Third party protocols Uni-TE Modbus
Standards	IEC 61131-2 CSA C22.2 No 14 IEC 60068-2-27 UL 508 IEC 60068-2-6
Product Certifications	UL 1604 ATEX zone 2/22 CSA Class 1 Division 2 UL Class 1 Division 2
Ambient air temperature for operation	32...131 °F (0...55 °C)
Ambient Air Temperature for Storage	-4...140 °F (-20...60 °C)
Relative humidity	0...85 % without condensation
IP degree of protection	IP20 IEC 60529 rear panel) IP65 IEC 60529 front panel)
NEMA degree of protection	NEMA 4X front panel (indoor use)
Shock resistance	15 gn 11 ms IEC 60068-2-27
Vibration resistance	+/- 3.5 mm 2...8.45 Hz)IEC 60068-2-6 1 gn 8.45...150 Hz)IEC 60068-2-6
Resistance to electromagnetic fields	9.14 V/m (10 V/m) IEC 61000-4-3

Ordering and shipping details

Category	22570-MAGELIS TEXT DISPLAYS & ACCESS
Discount Schedule	MC2
GTIN	00785901603009
Package weight(Lbs)	1.53 lb(US) (0.694 kg)
Returnability	No
Country of origin	CN

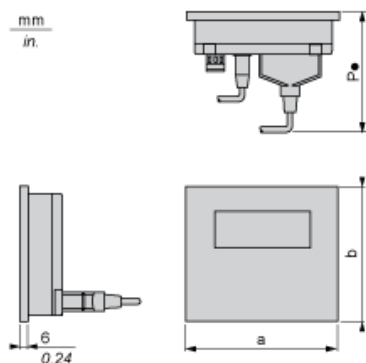
Packing Units

Package 1 Height	3.15 in (80.000 mm)
Package 1 width	6.69 in (170.000 mm)
Package 1 Length	9.84 in (250.000 mm)

Contractual warranty

Warranty	18 months
----------	-----------

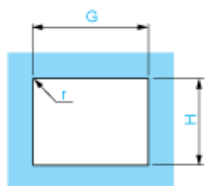
Dimensions



a		a1 (1)		b		b1 (1)		P1 (2)		P2 (3)		P3 (4)		P4 (5)	
mm	in.	mm	in.	mm	in.	mm	in.	mm	in.	mm	in.	mm	in.	mm	in.
137	5.39	160	6.29	118	5	146	6	79	3.11	104	4.09	58	2.28	104	4.09

(1) With fixing clips (included with product)
 (2) P1: depth with RJ45 cable XBTZ9780 (for Twido, TSX Micro and Premium)
 (3) P2: depth with 25-way SUB-D cable XBTZ938 (for TeSys model U and ATV 61/71 drives)
 (4) P3: depth with 25-way SUB-D angled cable XBTZ9680 (for Twido, TSX Micro and Premium) or XBTZ998 (for Modicon STB)
 (5) P4: depth with 25-way SUB-D cable XBTZ68/Z9681 (for Twido, TSX Micro and Premium)

Cut-out for Flush Mounting



Panel thickness = 1.5..6 mm / 0.05...0.23 in.

H		G		r max.	
±0.4 mm	±0.02 in.	±0.5 mm	±0.02 in.	mm	in.
105.2	4.14	119.6	5	1.5	0.05

X-ON Electronics

Largest Supplier of Electrical and Electronic Components

Click to view similar products for [Display Modules](#) category:

Click to view products by [Schneider](#) manufacturer:

Other Similar products are found below :

[P6153-PR](#) [TDP0700T800480PCAP](#) [P6171DPR-DC-RS](#) [P6171DPR-DC-U](#) [MIKROMEDIA 4 FOR STM32F4 CAPACITIVE FPI](#)
[MIKROMEDIA 3 FOR STM32F4 CAPACITIVE FPI](#) [TN0216ANVNANN-GN00](#) [TN0104ANVAANN-GN00](#) [TN0181ANVNANN-GN00](#)
[MIKROMEDIA 5 FOR TIVA CAPACITIVE](#) [MIKROMEDIA 4 FOR TIVA CAPACITIVE](#) [MIKROMEDIA 4 FOR PIC32MZ CAPACITIVE](#)
[RVT43ULFNWC03 V4](#) [SM-RVT101HVBFWCA0](#) [SM-RVT101HVBNWCA0](#) [SM-RVT35HHBFWCA0](#) [SM-RVT35HHBNWCA0](#) [SM-](#)
[RVT43HLBNWCA0](#) [SM-RVT50HQBFWCA0](#) [SM-RVT50HQBNWCA0](#) [SM-RVT70HSBFWCA0](#) [SM-RVT70HSBNWCA0](#) [11769](#)
[MIKROMEDIA FOR DSPIC33](#) [MIKROMEDIA FOR PIC24](#) [MIKROMEDIA FOR PIC32](#) [MIKROMEDIA FOR STELLARIS M3](#)
[MIKROMEDIA HMI 3.5 RES](#) [MIKROMEDIA HMI 5](#) [MIKROMEDIA PLUS FOR FT90X](#) [MIKROMEDIA PLUS FOR PIC32MX7 SHIELD](#)
[MIKROMEDIA PROTO SHIELD](#) [MIKROMEDIA 5 FOR TIVA](#) [MIKROMEDIA 5 FOR TIVA SHIELD](#) [MIKROMEDIA 7 FOR STM32F4](#)
[MIKROMEDIA CONNECT SHIELD](#) [MIKROMEDIA FOR ARM](#) [MIKROMEDIA FOR PSOC5LP](#) [MIKROMEDIA GAMING SHIELD](#)
[MIKROMEDIA HMI 4.3 UXB](#) [MIKROMEDIA HMI 5 RES](#) [MIKROMEDIA HMI 5 UXB](#) [MIKROMEDIA HMI 7](#) [MIKROMEDIA HMI](#)
[BREAKOUT BOARD](#) [RVT70AQFNWC00](#) [18207](#) [PIS-0260](#) [GEN4-ULCD-50D-PI](#) [GEN4-ULCD-70D](#) [GEN4-ULCD-70D-PI](#)