



## Main

Range of Product	Magelis XBTRT
Display Resolution	198 x 80 pixels
Software Type	Configuration software
Software Designation	Vijeo Designer Lite
Operating System	Windows

## Complementary

Display Type	Extra-bright matrix backlit LCD
Touch panel	Matrix
Touch sensitive zone	11 x 5 cells
Character font	Katakana Cyrillic Latin Greek Chinese (simplified Chinese)
Supply voltage limits	18...30 V
Residual ripple	<= 1200 MV
Power Consumption in W	5 W
Number of key	12
Number of fixed keys	2
Number of customisable keys	10
Local signalling	13 LEDs 1 buzzer
Number of pages	200 application pages 256 alarm pages
Memory type	Flash
Memory capacity	512 kB
Integrated connection type	Serial link female RJ45, asynchronous RS232C/RS485)multidrop Power supply removable screw terminal block Printer port 8-way female mini DIN
Realtime clock	Access to the PLC real-time clock
Range Compatibility	Modicon Premium Modicon TSX Micro Modicon Momentum Modicon Quantum Modicon M340 Twido
Product mounting	Flush mounting
Fixing mode	By 4 spring clips (1.5 to 6 mm thick panel)
Display material	Polyester
Front material	PPT
Keypad material	Polyester
Marking	CE
Height	4.65 in (118 mm)
Width	5.39 in (137 mm)
Depth	3.11 in (79 mm)

Cut-out dimensions	119.6 (+/- 0.5) x 105.2 (+/- 0.4) mm
Net Weight	1.21 lb(US) (0.55 kg)

## Environment

Product or Component Type	Small panel with touchscreen and keypad
Display colour	Orange Red Green
Display capacity	Graphic objects ( bargraph, button, light...) 2 lines of 5 characters minimum 10 lines of 33 characters maximum
[Us] rated supply voltage	24 V DC
Supply	External source
Downloadable protocols	Third party protocols Modbus Uni-TE
Standards	IEC 60068-2-27 CSA C22.2 No 14 IEC 60068-2-6 IEC 61131-2 UL 508
Product Certifications	UL Class 1 Division 2 ATEX zone 2/22 UL 1604 CSA Class 1 Division 2
Ambient air temperature for operation	32...131 °F (0...55 °C)
Ambient Air Temperature for Storage	-4...140 °F (-20...60 °C)
Relative humidity	0...85 % without condensation
IP degree of protection	IP20 IEC 60529 rear panel) IP65 IEC 60529 front panel)
NEMA degree of protection	NEMA 4X front panel (indoor use)
Shock resistance	15 gn 11 ms IEC 60068-2-27
Vibration resistance	+/- 3.5 mm 2...8.45 Hz)IEC 60068-2-6 1 gn 8.45...150 Hz)IEC 60068-2-6
Resistance to electromagnetic fields	9.14 V/m (10 V/m) IEC 61000-4-3

## Ordering and shipping details

Category	22570-MAGELIS TEXT DISPLAYS & ACCESS
Discount Schedule	MC2
GTIN	3595864000015
Nbr. of units in pkg.	1
Package weight(Lbs)	24.94 oz (707 g)
Returnability	No
Country of origin	CN

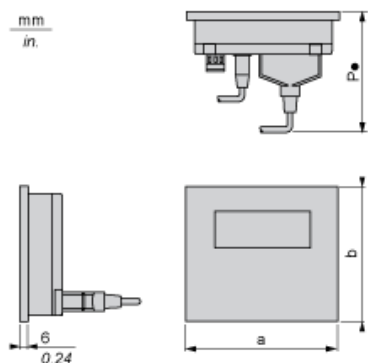
## Packing Units

Unit Type of Package 1	PCE
Package 1 Height	3.15 in (8 cm)
Package 1 width	6.69 in (17 cm)
Package 1 Length	9.84 in (25 cm)
Unit Type of Package 2	S03
Number of Units in Package 2	6
Package 2 Weight	10.49 lb(US) (4.757 kg)
Package 2 Height	11.81 in (30 cm)
Package 2 width	11.81 in (30 cm)
Package 2 Length	15.75 in (40 cm)

## Contractual warranty

Warranty	18 months
----------	-----------

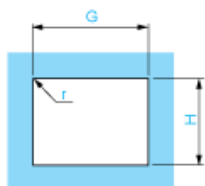
Dimensions



a		a1 (1)		b		b1 (1)		P1 (2)		P2 (3)		P3 (4)		P4 (5)	
mm	in.	mm	in.	mm	in.	mm	in.	mm	in.	mm	in.	mm	in.	mm	in.
137	5.39	160	6.29	118	5	146	6	79	3.11	104	4.09	58	2.28	104	4.09

- (1) With fixing clips (included with product)  
 (2) P1: depth with RJ45 cable XBTZ9780 (for Twido, TSX Micro and Premium)  
 (3) P2: depth with 25-way SUB-D cable XBTZ938 (for TeSys model U and ATV 61/71 drives)  
 (4) P3: depth with 25-way SUB-D angled cable XBTZ9680 (for Twido, TSX Micro and Premium) or XBTZ998 (for Modicon STB)  
 (5) P4: depth with 25-way SUB-D cable XBTZ68/Z9681 (for Twido, TSX Micro and Premium)

Cut-out for Flush Mounting



Panel thickness = 1.5..6 mm / 0.05...0.23 in.

H		G		r max.	
±0.4 mm	±0.02 in.	±0.5 mm	±0.02 in.	mm	in.
105.2	4.14	119.6	5	1.5	0.05

## X-ON Electronics

Largest Supplier of Electrical and Electronic Components

*Click to view similar products for [Display Modules](#) category:*

*Click to view products by [Schneider](#) manufacturer:*

Other Similar products are found below :

[P6153-PR](#) [TDP0700T800480PCAP](#) [P6171DPR-DC-RS](#) [P6171DPR-DC-U](#) [MIKROMEDIA 4 FOR STM32F4 CAPACITIVE FPI](#)  
[MIKROMEDIA 3 FOR STM32F4 CAPACITIVE FPI](#) [TN0216ANVNANN-GN00](#) [TN0104ANVAANN-GN00](#) [TN0181ANVNANN-GN00](#)  
[MIKROMEDIA 5 FOR TIVA CAPACITIVE](#) [MIKROMEDIA 4 FOR TIVA CAPACITIVE](#) [MIKROMEDIA 4 FOR PIC32MZ CAPACITIVE](#)  
[RVT43ULFNWC03 V4](#) [SM-RVT101HVBFWCA0](#) [SM-RVT101HVBNWCA0](#) [SM-RVT35HHBFWCA0](#) [SM-RVT35HHBNWCA0](#) [SM-](#)  
[RVT43HLBNWCA0](#) [SM-RVT50HQBFWCA0](#) [SM-RVT50HQBNWCA0](#) [SM-RVT70HSBFWCA0](#) [SM-RVT70HSBNWCA0](#) [11769](#)  
[MIKROMEDIA FOR DSPIC33](#) [MIKROMEDIA FOR PIC24](#) [MIKROMEDIA FOR PIC32](#) [MIKROMEDIA FOR STELLARIS M3](#)  
[MIKROMEDIA HMI 3.5 RES](#) [MIKROMEDIA HMI 5](#) [MIKROMEDIA PLUS FOR FT90X](#) [MIKROMEDIA PLUS FOR PIC32MX7 SHIELD](#)  
[MIKROMEDIA PROTO SHIELD](#) [MIKROMEDIA 5 FOR TIVA](#) [MIKROMEDIA 5 FOR TIVA SHIELD](#) [MIKROMEDIA 7 FOR STM32F4](#)  
[MIKROMEDIA CONNECT SHIELD](#) [MIKROMEDIA FOR ARM](#) [MIKROMEDIA FOR PSOC5LP](#) [MIKROMEDIA GAMING SHIELD](#)  
[MIKROMEDIA HMI 4.3 UXB](#) [MIKROMEDIA HMI 5 RES](#) [MIKROMEDIA HMI 5 UXB](#) [MIKROMEDIA HMI 7](#) [MIKROMEDIA HMI](#)  
[BREAKOUT BOARD](#) [RVT70AQFNWC00](#) [18207](#) [PIS-0260](#) [GEN4-ULCD-50D-PI](#) [GEN4-ULCD-70D](#) [GEN4-ULCD-70D-PI](#)