

XMEP5K0PT130

Electronic pressure sensors, Pressure sensors XM, transmitter, XMEP, 5000 PSI, 1/4"18NPT, 0,5...4,5 V, Deutsch, set 1



Main

Range of Product	Telemecanique Pressure sensors XM
Product or Component Type	Electronic pressure sensors
Pressure sensor type	Pressure transmitter
Pressure sensor name	XMEP
Electrical circuit type	Control circuit
Pressure Rating	5000 psi (34473.78 kPa)
Local display	Without
Controlled fluid	Fresh water 32...257 °F (0...125 °C) Air -40...257 °F (-40...125 °C) Hydraulic oil -40...257 °F (-40...125 °C)
Fluid connection type	1/4" - 18 NPT (male)
Electrical connection	DEUTSCH connector DT04-3P 3 pins
[Us] rated supply voltage	5 V DC SELV 4.5...5.5 V)
Current Consumption	< 7 mA
Type of output signal	Analogue
Analogue output function	0.5...4.5 V, 3-wire
Quantity per Set	Set of 1
Type of Packing	Individual

Complementary

Pressure setting range	0...5000 psi (0.00...34473.78 kPa)
Maximum permissible accidental pressure	15000 psi (103421.36 kPa)
Destruction pressure	30000 psi (206842.71 kPa)
Materials in contact with fluid	Stainless steel AISI 316L
Operating position	Any position
Protection Type	Reverse polarity Load short-circuit
Electromagnetic compatibility	Electrostatic discharge immunity test ISO 10605 criteria A 15 kV air, 15 kV contact Susceptibility to electromagnetic fields ISO 11452-2 criteria A 100 V/m 200...2000 MHz Susceptibility to electromagnetic fields ISO 11452-4 criteria A 100 mA 20...400 MHz Susceptibility to conducted disturbances EN/IEC 61000-4-6 criteria A 30 V 0.15...80 MHz Electrical fast transient/burst immunity test EN/IEC 61000-4-4 criteria A 4 kV Susceptibility to conducted transient disturbances ISO 7637-2 criteria B level 3
[Uimp] rated impulse withstand voltage	0.5 kV
Response time on output	<= 2 ms 10...90 % of full scale
Measurement accuracy	+/- 0.5 % of the measuring range
Resolution	0.1 % of the measuring range
Drift of the sensitivity	+/- 0.02 % of measuring range/°K
Drift of the zero point	+/- 0.02 % of measuring range/°K
Long term stability	+/- 0.5 % of the measuring range
Mechanical durability	10000000 cycles
Net Weight	0.22 lb(US) (0.098 kg)

The information provided in this documentation contains general descriptions and/or technical characteristics of the performance of the products contained herein. This documentation is not intended as a substitute for and is not to be used for determining suitability or reliability of these products for specific user applications. It is the duty of any such user or integrator to perform the appropriate and complete risk analysis, evaluation and testing of the products with respect to the relevant specific application or use thereof. Neither Schneider Electric Industries SAS nor any of its affiliates or subsidiaries shall be responsible or liable for misuse of the information contained herein.

Diameter	1.02 in (26 mm)
Length	2.50 in (63.4 mm)

Environment

Standards	UL 61010-1 ECE 10R-5 ISO 14982 EN/IEC 61326-2-3 ISO 13766 EN 13309
Product Certifications	CE E2 cULus
Ambient Air Temperature for Operation	-40...212 °F (-40...100 °C)
Ambient Air Temperature for Storage	-58...212 °F (-50...100 °C)
Vibration resistance	12 gn sinus 20...520 Hz) test 4 ISO 16750-3 18 gn random 10...2000 Hz) test 4 ISO 16750-3
Shock resistance	50 gn 11 ms EN/IEC 60068-2-27
IP degree of protection	IP65 conforming to EN/IEC 60529 IP67 conforming to EN/IEC 60529 IP69K conforming to EN/IEC 60529

Ordering and shipping details

Category	22419-PRESSURE SWITCH IEC (HIGH,LOW,GEN)
Discount Schedule	DS2
GTIN	3389119637015
Returnability	Yes
Country of origin	CH

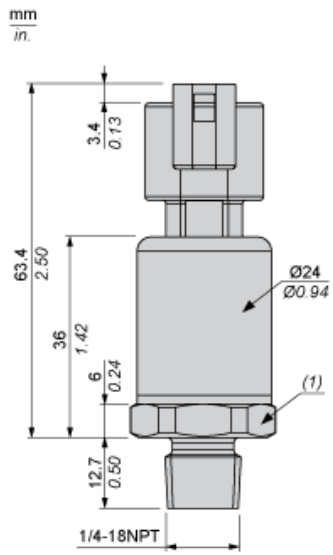
Packing Units

Unit Type of Package 1	PCE
Number of Units in Package 1	1
Package 1 Height	1.70 in (4.32 cm)
Package 1 Width	1.90 in (4.83 cm)
Package 1 Length	3.40 in (8.64 cm)
Package 1 Weight	0.22 lb(US) (0.1 kg)

Offer Sustainability

Sustainable offer status	Green Premium product
California proposition 65	WARNING: This product can expose you to chemicals including: Diisononyl phthalate (DINP), which is known to the State of California to cause cancer, and Di-isodecyl phthalate (DIDP), which is known to the State of California to cause birth defects or other reproductive harm. For more information go to www.P65Warnings.ca.gov
REACH Regulation	REACH Declaration
EU RoHS Directive	Pro-active compliance (Product out of EU RoHS legal scope) EU RoHS Declaration
Mercury free	Yes
RoHS exemption information	Yes
Environmental Disclosure	Product Environmental Profile

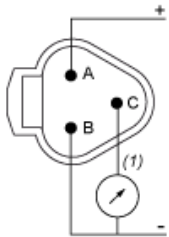
Dimensions



(1) SW24, tightening torque □ 24 N-m / 212 lb-in

Connections and Schema

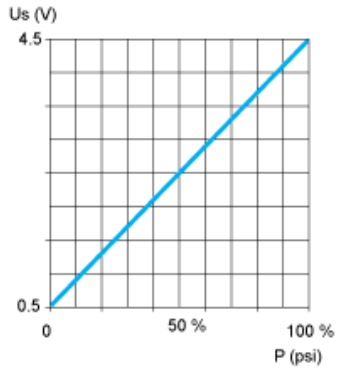
Connector Wiring



(1) V out

Performance Curves

Curves



X-ON Electronics

Largest Supplier of Electrical and Electronic Components

Click to view similar products for [Industrial Pressure Sensors](#) category:

Click to view products by [Schneider](#) manufacturer:

Other Similar products are found below :

[76053-00000300-01](#) [76061-00000015-01](#) [76083-05000500-01](#) [76311-05](#) [76577-00000070-01](#) [77343-24.0H2-01](#) [77343-25.0H2-01](#) [78303-B00000400-01](#) [78303-B00000400-05](#) [78316-B00000030-01](#) [78353-B00000020-05](#) [78665-00000014-05](#) [78677-B00000070-05](#) [78678-00000040-01](#) [79279-00000060-01](#) [79296-B00000350-01](#) [79322-00250035-01](#) [79614-30.0H2-14](#) [79700-00002750-01](#) [80569-00700100-01](#) [81739-B00000900-01](#) [81807-B00000020-01](#) [MLH010BST01A](#) [MLH010BST14A](#) [MLH025BGC13B](#) [MLH025BSCDJ1303](#) [MLH750PSCDJ1245](#) [82903-B00000020-01](#) [83250-02500600-05](#) [83271-00000040-04](#) [83278-B00000200-21](#) [83282-00000100-05](#) [83286-00000150-01](#) [83298-00000120-01](#) [83299-00000150-05](#) [83305-00001350-01](#) [83330-00000100-01](#) [83350-04.0HG-05](#) [83350-15.0H2-05](#) [83357-00000030-21](#) [83360-00009750-05](#) [83362-B00000040-04](#) [83507-00000150-01](#) [83807-18](#) [9223108](#) [9243103](#) [9251405](#) [9303101](#) [9305823](#) [9306477](#)