

XMLP160BD72

pressure transmitter - XMLP - 160bars - G1/4A
male - 0..10V - M12 - set of 1



Main

Range of Product	OsiSense XM
Product or Component Type	Electronic pressure sensors
Pressure sensor type	Pressure transmitter
Pressure sensor name	XMLP
Electrical circuit type	Control circuit
Pressure Rating	2320.60 psi (160 bar)
Local display	Without
Controlled fluid	Fresh water 32...248 °F (0...120 °C) Air -22...248 °F (-30...120 °C) Hydraulic oil -22...248 °F (-30...120 °C) Gas -22...248 °F (-30...120 °C) Refrigeration fluid -22...248 °F (-30...120 °C)
Fluid connection type	G 1/4A (male) DIN 3852-A
Electrical connection	1 male connector M12 4 pins
[Us] rated supply voltage	24 V DC SELV 14...30 V
Current Consumption	< 10 mA
Type of output signal	Analogue
Analogue output function	0...10 V, 3-wire
Quantity per Set	Set of 1
Type of Packing	Individual

Complementary

Pressure setting range	0.00...2320.60 psi (0...160 bar)
Maximum permissible accidental pressure	4641.21 psi (320 bar)
Destruction pressure	13923.62 psi (960 bar)
Materials in contact with fluid	Stainless steel type AISI 304 Stainless steel type 17-4PH
Operating position	Any position
Protection Type	Reverse polarity Load short-circuit
Electromagnetic compatibility	Susceptibility to electromagnetic fields EN/IEC 61000-4-3 10 V/m 80...1000 MHz Electrical fast transient/burst immunity test EN/IEC 61000-4-4 2 kV 1.2/50 µs shock waves immunity test EN/IEC 61000-4-5 500 V 12 Ohm, 1 kV 42 Ohm Radiated RF fields EN/IEC 61000-4-6 10 V 0.15...80 MHz Electrostatic discharge immunity test EN/IEC 61000-4-2 8 kV air, 4 kV contact
[Uimp] rated impulse withstand voltage	0.5 kV
Response time on output	< 5 ms 92 % of full scale
Measurement accuracy	+/- 0.5 % of the measuring range
Resolution	Infinity
Drift of the sensitivity	+/- 0.02 % of measuring range/°K
Drift of the zero point	+/- 0.02 % of measuring range/°K
Long term stability	+/- 0.2 % of the measuring range
Mechanical durability	10000000 cycles
Net Weight	0.11 lb(US) (0.05 kg)
Diameter	1.18 in (30 mm)
Length	1.02 in (26 mm)
Scale type	Fixed differential

The information provided in this documentation contains general descriptions and/or technical characteristics of the performance of the products contained herein. This documentation is not intended as a substitute for and is not to be used for determining suitability or reliability of these products for specific user applications. It is the duty of any such user or integrator to perform the appropriate and complete risk analysis, evaluation and testing of the products with respect to the relevant specific application or use thereof. Neither Schneider Electric Industries SAS nor any of its affiliates or subsidiaries shall be responsible or liable for misuse of the information contained herein.

Environment

Standards	EN/IEC 61326-1 CE
Product Certifications	RCM CULus EAC
Protective treatment	TC
Ambient air temperature for operation	-22...212 °F (-30...100 °C)
Ambient Air Temperature for Storage	-22...212 °F (-30...100 °C)
Vibration resistance	20 gn 10...2000 Hz) EN/IEC 60068-2-64
Shock resistance	25 gn 11 ms EN/IEC 60068-2-27
IP degree of protection	IP65 conforming to EN/IEC 60529 IP67 conforming to EN/IEC 60529 IP69K conforming to DIN 40050



Ordering and shipping details

Category	21561 - XMLK,XMLP PRESSURE TRANSMITTERS
Discount Schedule	DS2
GTIN	03389119058810
Nbr. of units in pkg.	1
Package weight(Lbs)	0.15 lb(US) (0.07 kg)
Returnability	No
Country of origin	DE

Packing Units

Package 1 Height	0.410 dm
Package 1 width	0.640 dm
Package 1 Length	0.940 dm

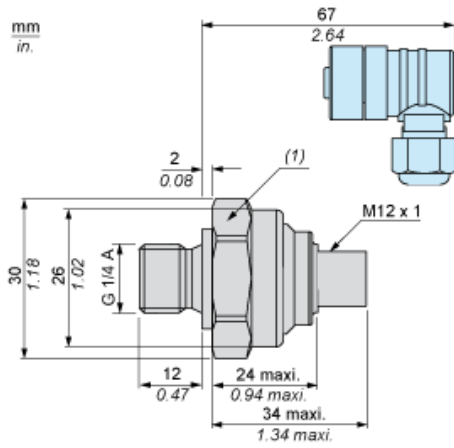
Offer Sustainability

California proposition 65	WARNING: This product can expose you to chemicals including: Di-isodecyl phthalate (DIDP) and Diisononyl phthalate (DINP) which is known to the State of California to cause Carcinogen and Reproductive harm. For more information go to www.p65warnings.ca.gov
EU RoHS Directive	Pro-active compliance (Product out of EU RoHS legal scope)  EU RoHS Declaration
Mercury free	Yes
RoHS exemption information	 Yes

Contractual warranty

Warranty	18 months
----------	-----------

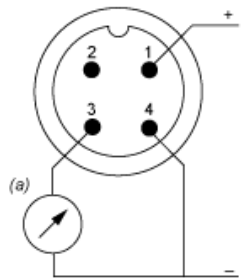
Dimensions



(1) SW27 Tightening torque ≤ 25 Nm / 221 Lb-in

Wiring Diagram

3-Wire Technique (0-10 V)



(a) V out

Curves



X-ON Electronics

Largest Supplier of Electrical and Electronic Components

Click to view similar products for [Industrial Pressure Sensors](#) category:

Click to view products by [Schneider](#) manufacturer:

Other Similar products are found below :

[75380-05](#) [76053-00000300-01](#) [76053-00000300-05](#) [76061-00000015-01](#) [76062-B00000350-01](#) [76063-00000350-05](#) [76083-05000500-01](#)
[76311-05](#) [76577-00000070-01](#) [76584-M00000100-24](#) [77343-24.0H2-01](#) [77343-25.0H2-01](#) [78291-B00000060-01](#) [78303-B00000400-01](#)
[78303-B00000400-05](#) [78316-B00000030-01](#) [78353-B00000020-05](#) [78665-00000014-05](#) [78677-B00000070-05](#) [78678-00000040-01](#) [79279-](#)
[00000060-01](#) [79296-B00000350-01](#) [79322-00250035-01](#) [79614-30.0H2-14](#) [79670-00000090-15](#) [79700-00002750-01](#) [79917-B00000280-01](#)
[80569-00700100-01](#) [81509081](#) [81739-B00000900-01](#) [81807-B00000020-01](#) [MLH010BST01A](#) [MLH010BST14A](#) [MLH025BGC13B](#)
[MLH025BSCDJ1292](#) [MLH025BSCDJ1303](#) [MLH750PSCDJ1245](#) [82903-B00000020-01](#) [83250-02500600-05](#) [83271-00000040-04](#) [83278-](#)
[B00000200-21](#) [83286-00000150-01](#) [83299-00000150-05](#) [83303-00000600-01](#) [83305-00001350-01](#) [83330-00000100-01](#) [83349-00001470-24](#)
[83350-04.0HG-05](#) [83350-15.0H2-05](#) [83357-00000030-21](#)