

Product availability: Non-Stock - Not normally stocked in distribution facility



Main

| | |
|---|--|
| Range of product | OsiSense XM |
| Product or component type | Electronic pressure sensors |
| Pressure sensor type | Pressure transmitter |
| Pressure switch type of operation | Pressure transmitter |
| Device short name | XMLR |
| Pressure sensor size | 14.5 psi 100 kPa 14.5 psi (1 bar) |
| Maximum permissible accidental pressure | 109 psi 108.78 psi (7.5 bar) 750 kPa |
| Destruction pressure | 750 kPa 109 psi 108.78 psi (7.5 bar) |
| Controlled fluid | Fresh water (32...176 °F (0...80 °C)) Air (-20...80 °C) Hydraulic oil (-20...80 °C) Refrigeration fluid (-20...80 °C) |
| Fluid connection type | 1/4" - 18 NPT (female) |
| [Us] rated supply voltage | 24 V DC SELV, voltage limits: 17...33 V |

Complementary

| | |
|--|---|
| Current consumption | <= 50 mA |
| Electrical connection | 4 pins M12 male connector |
| Analogue output function | 4...20 mA |
| Type of output signal | Analogue |
| Analogue output function | 4...20 mA |
| Scale type | Fixed differential |
| Materials in contact with fluid | 316L stainless steel Fluorocarbon FKM (Viton) Ceramic |
| Front material | Polyester |
| Housing material | 316L stainless steel Polyacrylamide |
| Operating position | Any position, but disposals can falsified the measurement in case of upside down mounting |
| Protection type | Short-circuit protection Overvoltage protection Overload protection Reverse polarity |
| Response time on output | <= 10 ms analog output |
| Display type | 4 digits 7 segments |
| Display response time type | Fast 50 ms Normal 200 ms Slow 600 ms |
| Delay first up | <= 300 ms |
| Overall accuracy | <= 1 % of the measuring range |
| Linearity error on analogue output | <= 0.5 % of the measuring range |
| Hysteresis on analogue output | <= 0.2 % of the measuring range |
| Measurement accuracy on switching output | <= 0.6 % of the measuring range |

The information provided in this documentation contains general descriptions and/or technical characteristics of the performance of the products contained herein. This documentation is not intended as a substitute for and is not to be used for determining suitability or reliability of these products for specific user applications. It is the duty of any such user or integrator to perform the appropriate and complete risk analysis, evaluation and testing of the products with respect to the relevant specific application or use thereof. Neither Schneider Electric Industries SAS nor any of its affiliates or subsidiaries shall be responsible or liable for misuse of the information contained herein.

| | |
|--|---|
| Repeat accuracy | <= 0.2 % of the measuring range |
| Drift of the sensitivity | +/- 0.03 % of measuring range/°C |
| Drift of the zero point | +/- 0.1 % of measuring range/°C |
| Display accuracy | <= 1 % of the measuring range |
| Mechanical durability | >= 10000000 cycles |
| Depth | 1.65 in (42 mm) |
| Height | 3.94 in (100 mm) |
| Width | 1.61 in (41 mm) |
| Product weight | 0.47 lb(US) (0.212 kg) |
| [Uimp] rated impulse withstand voltage | 0.5 kV DC |
| Electromagnetic compatibility | Electrostatic discharge immunity test - test level 8 kV air, 4 kV contact conforming to EN/IEC 61000-4-2 Susceptibility to electromagnetic fields - test level 10 V/m (80...2000 MHz) conforming to EN/IEC 61000-4-3 Electrical fast transient/burst immunity test - test level 2 kV conforming to EN/IEC 61000-4-4 Surge immunity test - test level 1 kV conforming to EN/IEC 61000-4-5 Immunity to conducted RF disturbances - test level 10 V (0.15...80 MHz) conforming to EN/IEC 61000-4-6 |

Environment

| | |
|---------------------------------------|--|
| Marking | CE |
| Product certifications | CULus EAC |
| Standards | UL 61010-1 EN/IEC 61326-2-3 |
| Ambient air temperature for operation | -4...176 °F (-20...80 °C) |
| Ambient air temperature for storage | -40...176 °F (-40...80 °C) |
| IP degree of protection | IP65 conforming to EN/IEC 60529 IP67 conforming to EN/IEC 60529 |
| Vibration resistance | 20 gn (f = 10...2000 Hz) conforming to EN/IEC 60068-2-6 |
| Shock resistance | 50 gn conforming to EN/IEC 60068-2-27 |

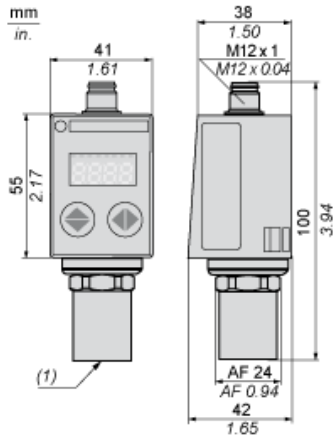
Ordering and shipping details

| | |
|-----------------------|---|
| Category | 21551 - XMLE,XMLF,XMLG PRESSURE SENSORS |
| Discount Schedule | DS2 |
| GTIN | 00785901160120 |
| Nbr. of units in pkg. | 1 |
| Package weight(Lbs) | 0.4700000000000003 |
| Returnability | N |
| Country of origin | CH |

Offer Sustainability

| | |
|---------------------------|--|
| RoHS (date code: YYWW) | Compliant - since 1351 - Schneider Electric declaration of conformity Schneider Electric declaration of conformity |
| REACH | Reference not containing SVHC above the threshold |
| California proposition 65 | WARNING: This product can expose you to chemicals including: |
| ----- Substance 1 | Diisononyl phthalate (DINP), which is known to the State of California to cause cancer, and |
| ----- Substance 2 | Di-isodecyl phthalate (DIDP), which is known to the State of California to cause birth defects or other reproductive harm. |
| ----- More information | For more information go to www.p65warnings.ca.gov |

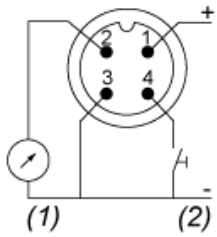
Dimensions



(1) Fluid entry: 1/4"-18NPT female

Connections and Schema

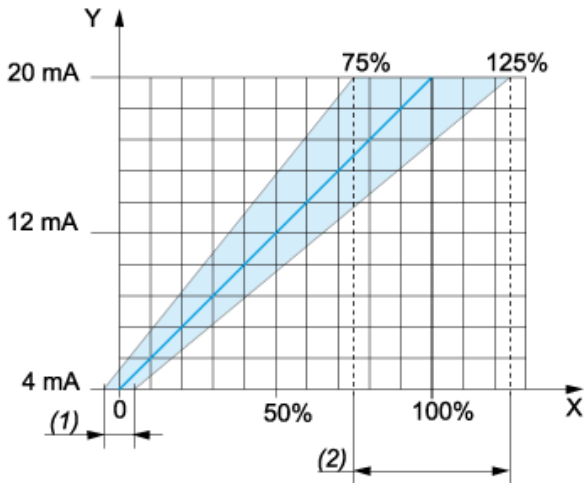
Connector Wiring



- (1) I Out or V Out
- (2) Test Input

Analogue Output Description

Analogue Output Signal



X : Pressure

Y : Analogue output signal

(1) An offset of +/-5% of nominal pressure can be compensated (with Cof Configuration menu. Cof: Offset Compensation)

(2) The analogue curve can be adjusted from -25% to +25% of nominal pressure (with AEP Configuration menu. AEP: analogue end point).

X-ON Electronics

Largest Supplier of Electrical and Electronic Components

Click to view similar products for [Industrial Pressure Sensors](#) category:

Click to view products by [Schneider](#) manufacturer:

Other Similar products are found below :

[75380-05](#) [76053-00000300-01](#) [76053-00000300-05](#) [76061-00000015-01](#) [76062-B00000350-01](#) [76063-00000350-05](#) [76083-05000500-01](#)
[76311-05](#) [76577-00000070-01](#) [76584-M00000100-24](#) [77343-24.0H2-01](#) [77343-25.0H2-01](#) [78291-B00000060-01](#) [78303-B00000400-01](#)
[78303-B00000400-05](#) [78316-B00000030-01](#) [78353-B00000020-05](#) [78665-00000014-05](#) [78677-B00000070-05](#) [78678-00000040-01](#) [79279-](#)
[00000060-01](#) [79296-B00000350-01](#) [79322-00250035-01](#) [79614-30.0H2-14](#) [79670-00000090-15](#) [79700-00002750-01](#) [79917-B00000280-01](#)
[80569-00700100-01](#) [81509081](#) [81739-B00000900-01](#) [81807-B00000020-01](#) [MLH010BST01A](#) [MLH010BST14A](#) [MLH025BGC13B](#)
[MLH025BSCDJ1292](#) [MLH025BSCDJ1303](#) [MLH750PSCDJ1245](#) [82903-B00000020-01](#) [83250-02500600-05](#) [83271-00000040-04](#) [83278-](#)
[B00000200-21](#) [83286-00000150-01](#) [83299-00000150-05](#) [83303-00000600-01](#) [83305-00001350-01](#) [83330-00000100-01](#) [83349-00001470-24](#)
[83350-04.0HG-05](#) [83350-15.0H2-05](#) [83357-00000030-21](#)