

Product availability: Stock - Normally stocked in distribution facility



Main

Range of product	Preventa Safety automation
Product or component type	Preventa safety module
Safety module name	XPSAC
Safety module application	For emergency stop and switch monitoring
Function of module	Switch monitoring Emergency stop
Safety level	Can reach PL e/category 4 conforming to EN/ISO 13849-1 Can reach SILCL 3 conforming to EN/IEC 62061
Safety reliability data	DC > 99 % conforming to EN/ISO 13849-1 MTTFd = 210.4 years conforming to EN/ISO 13849-1 PFHd = 3.56E-9 1/h conforming to EN/IEC 62061
Type of start	Unmonitored
Connections - terminals	Captive screw clamp terminals, clamping capacity: 2 x 0.5...2 x 1.5 mm ² flexible cable with cable end, with double bezel Captive screw clamp terminals, clamping capacity: 1 x 0.14...1 x 2.5 mm ² flexible cable with cable end, with double bezel Captive screw clamp terminals, clamping capacity: 1 x 0.14...1 x 2.5 mm ² solid cable with cable end, with double bezel Captive screw clamp terminals, clamping capacity: 1 x 0.25...1 x 1.5 mm ² flexible cable with cable end, with double bezel Captive screw clamp terminals, clamping capacity: 1 x 0.25...1 x 2.5 mm ² flexible cable with cable end, with double bezel Captive screw clamp terminals, clamping capacity: 2 x 0.14...2 x 0.75 mm ² flexible cable with cable end, with double bezel Captive screw clamp terminals, clamping capacity: 2 x 0.14...2 x 0.75 mm ² solid cable with cable end, with double bezel Captive screw clamp terminals, clamping capacity: 2 x 0.25...2 x 1 mm ² flexible cable with cable end, with double bezel
Output type	Relay instantaneous opening 3 NO, volt-free
Number of additional circuits	1 solid state output
[Us] rated supply voltage	115 V AC (- 15...15 %)

Complementary

Supply frequency	50/60 Hz
Power consumption in VA	<= 7 VA AC
[Uc] control circuit voltage	115 V
Breaking capacity	C300: 180 VA, AC-15 (holding) relay output C300: 1800 VA, AC-15 (inrush) relay output
Breaking capacity	1.5 A at 24 V (DC-13) time constant: 50 ms for relay output
Output thermal current	6 A per relay relay output
[Ith] conventional free air thermal current	10.5 A

The information provided in this documentation contains general descriptions and/or technical characteristics of the performance of the products contained herein. This documentation is not intended as a substitute for and is not to be used for determining suitability or reliability of these products for specific user applications. It is the duty of any such user or integrator to perform the appropriate and complete risk analysis, evaluation and testing of the products with respect to the relevant specific application or use thereof. Neither Schneider Electric Industries SAS nor any of its affiliates or subsidiaries shall be responsible or liable for misuse of the information contained herein.

Associated fuse rating	4 A fuse type gG or gL for relay output conforming to EN/IEC 60947-5-1, DIN VDE 0660 part 200 6 A fuse type fast blow for relay output conforming to EN/IEC 60947-5-1, DIN VDE 0660 part 200
Minimum output current	10 mA relay output
Minimum output voltage	16 V for relay output
Response time on input open	<= 100 ms
[Ui] rated insulation voltage	300 V (degree of pollution: 2) conforming to DIN VDE 0110 part 1 300 V (degree of pollution: 2) conforming to IEC 60947-5-1
[Uimp] rated impulse withstand voltage	4 kV overvoltage category III conforming to IEC 60947-5-1 4 kV overvoltage category III conforming to DIN VDE 0110 part 1
Local signalling	2 LEDs
Current consumption	60 mA at 115 V AC (on power supply)
Mounting support	35 mm symmetrical DIN rail
Product weight	0.46 lb(US) (0.21 kg)

Environment

Standards	EN/IEC 60947-5-1 EN 60204-1 EN 1088/ISO 14119 EN/ISO 13850
Product certifications	TÜV CSA UL
IP degree of protection	IP20 (terminals) conforming to EN/IEC 60529 IP40 (enclosure) conforming to EN/IEC 60529
Ambient air temperature for operation	14...131 °F (-10...55 °C)
Ambient air temperature for storage	-13...185 °F (-25...85 °C)

Ordering and shipping details

Category	22477 - SAFETY MODULES (PREVENTA)
Discount Schedule	SAF2
GTIN	00785901570592
Nbr. of units in pkg.	1
Package weight(Lbs)	0.52000000000000002
Returnability	Y
Country of origin	ID

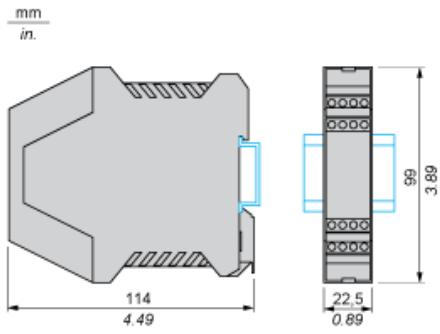
Offer Sustainability

California proposition 65	WARNING: This product can expose you to chemicals including:
----- Substance 1	Lead and lead compounds, which is known to the State of California to cause cancer and birth defects or other reproductive harm.
----- More information	For more information go to www.p65warnings.ca.gov

Contractual warranty

Warranty period	18 months
-----------------	-----------

Dimensions



X-ON Electronics

Largest Supplier of Electrical and Electronic Components

Click to view similar products for [Safety Relays](#) category:

Click to view products by [Schneider](#) manufacturer:

Other Similar products are found below :

[7-1618103-5](#) [1351-1X](#) [1618082-4](#) [1618111-1](#) [C200HDA003](#) [C200HMR432](#) [C200HMR832](#) [C200HMR833](#) [C28PEDRA](#) [20-050-36X](#)
[C500ETL01](#) [C500OD415CN](#) [2-1618068-0](#) [9-1618103-2](#) [SP10-ETL01](#) [22-060X](#) [C200HNC112](#) [C200HOD214](#) [C500CN812N](#) [4NK0AQY](#)
[1100X](#) [1100-42X](#) [V23050A1012A551](#) [6-1618082-4](#) [7-1618103-6](#) [WTD-101X](#) [SP16DRD](#) [SP16DRA](#) [C500-CE243](#) [C500-IDS02-V1](#)
[607.5111.020](#) [DOLD 48173](#) [CS AR-02V024](#) [CS AR-22V024](#) [CS AR-22V230](#) [CS AR-46V024](#) [750136](#) [PSR-MS21-1NO-1DO-24DC-SC](#)
[600PSR-165/300-CU](#) [SR6V6K18](#) [SR4M4005](#) [BPS 36-1](#) [BP34 - 101057553](#) [2TLA010033R3000](#) [2TLA010033R2000](#) [2TLA010033R0000](#)
[2TLA010028R1000](#) [2TLA010017R0100](#) [2TLA010026R0400](#) [SCR 2-W22-2.5](#)