

Product availability: Non-Stock - Not normally stocked in distribution facility



### Main

Range of product	Preventa Safety automation
Product or component type	Preventa safety module
Safety module name	XPSATR
Safety module application	For emergency stop and protective guard applications
Function of module	Emergency stop monitoring 1-channel wiring Emergency stop monitoring 2-channel wiring Protective guard monitoring
Safety level	Can reach SILCL 3 conforming to EN/IEC 62061 time delay safety outputs Can reach PL e/category 4 conforming to EN/ISO 13849-1 instantaneous safety outputs
Safety reliability data	MTTFd = 85 years conforming to EN/ISO 13849-1 PFHd = 2E-9 1/h conforming to EN/IEC 62061 DC > 99 % conforming to EN/ISO 13849-1
Type of start	Automatic Manual
Connections - terminals	Cage clamp terminals, removable terminal block Cage clamp terminals, removable terminal block, clamping capacity: 1 x 0.25...1 x 2.5 mm <sup>2</sup> flexible cable with cable end, with bezel Cage clamp terminals, removable terminal block, clamping capacity: 1 x 0.25...1 x 2.5 mm <sup>2</sup> flexible cable with cable end, without bezel Cage clamp terminals, removable terminal block, clamping capacity: 1 x 0.2...1 x 2.5 mm <sup>2</sup> solid or flexible cable without cable end Cage clamp terminals, removable terminal block, clamping capacity: 2 x 0.5...2 x 1 mm <sup>2</sup> flexible cable with cable end, with bezel
Output type	Relay instantaneous opening 3 NO, volt-free Relay time delay opening 3 NO, volt-free
Number of additional circuits	1 NC
[Us] rated supply voltage	115...230 V AC (- 15...10 %)

### Complementary

Synchronisation time between inputs	1 s
Supply frequency	50/60 Hz
Power consumption in W	3.2 W AC
Power consumption in VA	<= 6.3 VA
Input protection type	Internal, electronic
Time delay range	0.1...3 s
[Uc] control circuit voltage	24 V DC
Breaking capacity	3 A at 24 V (DC-13) for relay output
Output thermal current	6 A instantaneous and time delay outputs
[Ith] conventional free air thermal current	8 A
Associated fuse rating	6 A fuse type gG for instantaneous and time delay outputs conforming to EN/IEC 60947-5-1, DIN VDE 0660 part 200
Minimum output current	10 mA relay output
Minimum output voltage	17 V relay output
Response time on input open	<= 20 ms

[Ui] rated insulation voltage	300 V
[Uimp] rated impulse withstand voltage	4 kV overvoltage category III conforming to EN/IEC 60947-5-1, DIN VDE 0110 parts 1 & 2
Local signalling	5 LEDs
Mounting support	35 mm symmetrical DIN rail

## Environment

Standards	EN 60204-1 EN/IEC 60947-5-1 EN/IEC 61496-1 EN/ISO 13849-1 EN 62061 EN 50156-1
Product certifications	CSA TÜV UL
IP degree of protection	IP20 (terminals) conforming to EN/IEC 60529 IP40 (enclosure) conforming to EN/IEC 60529
Ambient air temperature for operation	-13...131 °F (-25...55 °C)
Ambient air temperature for storage	-13...167 °F (-25...75 °C)

## Ordering and shipping details

Category	22477 - SAFETY MODULES (PREVENTA)
Discount Schedule	SAF2
GTIN	003389119061513
Nbr. of units in pkg.	1
Package weight(Lbs)	0.7700000000000002
Returnability	N
Country of origin	DE

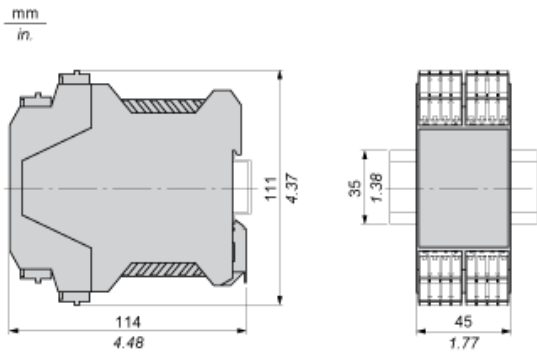
## Offer Sustainability

California proposition 65	WARNING: This product can expose you to chemicals including:
----- Substance 1	Lead and lead compounds, which is known to the State of California to cause cancer and birth defects or other reproductive harm.
----- More information	For more information go to <a href="http://www.p65warnings.ca.gov">www.p65warnings.ca.gov</a>

## Contractual warranty

Warranty period	18 months
-----------------	-----------

Dimensions



## X-ON Electronics

Largest Supplier of Electrical and Electronic Components

*Click to view similar products for [Safety Relays](#) category:*

*Click to view products by [Schneider](#) manufacturer:*

Other Similar products are found below :

[7-1618103-5](#) [1351-1X](#) [1618082-4](#) [1618111-1](#) [C200HDA003](#) [C200HMR432](#) [C200HMR832](#) [C200HMR833](#) [C28PEDRA](#) [20-050-36X](#)  
[C500ETL01](#) [C500OD415CN](#) [2-1618068-0](#) [9-1618103-2](#) [SP10-ETL01](#) [22-060X](#) [C200HNC112](#) [C200HOD214](#) [C500CN812N](#) [4NK0AQY](#)  
[1100X](#) [1100-42X](#) [V23050A1012A551](#) [6-1618082-4](#) [7-1618103-6](#) [WTD-101X](#) [SP16DRD](#) [SP16DRA](#) [C500-CE243](#) [C500-IDS02-V1](#)  
[607.5111.020](#) [DOLD 48173](#) [CS AR-02V024](#) [CS AR-22V024](#) [CS AR-22V230](#) [CS AR-46V024](#) [750136](#) [PSR-MS21-1NO-1DO-24DC-SC](#)  
[600PSR-165/300-CU](#) [SR6V6K18](#) [SR4M4005](#) [BPS 36-1](#) [BP34 - 101057553](#) [2TLA010033R3000](#) [2TLA010033R2000](#) [2TLA010033R0000](#)  
[2TLA010028R1000](#) [2TLA010017R0100](#) [2TLA010026R0400](#) [SCR 2-W22-2.5](#)