

Product availability: Non-Stock - Not normally stocked in distribution facility



### Main

Range of product	Preventa Safety automation
Product or component type	Preventa safety module
Safety module name	XPSBAE
Safety module application	For electrical monitoring of two-hand control stations
Function of module	Monitoring two-hand control station type IIIA
Safety level	Can reach SILCL 1 conforming to EN/IEC 62061 Can reach PL c/category 1 conforming to EN/ISO 13849-1
Safety reliability data	MTTFd = 55 years conforming to EN/ISO 13849-1 PFHd = 2.1E-6 1/h conforming to EN/IEC 62061
Connections - terminals	Cage clamp terminals, removable terminal block, clamping capacity: 1 x 0.2...1 x 2.5 mm <sup>2</sup> stranded cable without cable end Cage clamp terminals, removable terminal block, clamping capacity: 1 x 0.2...1 x 2.5 mm <sup>2</sup> solid cable without cable end Cage clamp terminals, removable terminal block, clamping capacity: 1 x 0.25...1 x 2.5 mm <sup>2</sup> flexible cable with cable end, with bezel Cage clamp terminals, removable terminal block, clamping capacity: 1 x 0.25...1 x 2.5 mm <sup>2</sup> flexible cable with cable end, without bezel Cage clamp terminals, removable terminal block, clamping capacity: 2 x 0.5...2 x 1 mm <sup>2</sup> flexible cable with cable end, with double bezel
Output type	Relay 1 NO, volt-free
Number of additional circuits	1 NC
[Us] rated supply voltage	24 V AC/DC (- 15...10 %)

### Complementary

Synchronisation time between inputs	0.5 s
Supply frequency	50/60 Hz
Power consumption in W	0.8 W
Power consumption in VA	2.4 VA
Input protection type	Internal, electronic
Number of inputs	1 NC + NO
Input current	2.5 mA NC 25 mA NO
Input compatibility	Two-hand control conforming to EN 574
[Uc] control circuit voltage	24 V DC
Breaking capacity	: inrush 1800 VA C300: holding 180 VA AC-15 relay output
Breaking capacity	2 A/24 V - L/R = 20 ms, DC-13 for relay output
[Ith] conventional free air thermal current	5 A
Associated fuse rating	6 A fast blow 4 A gG for relay output conforming to EN/IEC 60947-5-1
Minimum output current	10 mA relay output
Minimum output voltage	17 V relay output
Response time on input open	<= 20 ms

[Ui] rated insulation voltage	300 V, degree of pollution 2 conforming to IEC 60947-5-1
[Uimp] rated impulse withstand voltage	4 kV overvoltage category III, conforming to IEC 60947-5-1 4 kV overvoltage category III, conforming to DIN VDE 0110 part 1
Local signalling	2 LEDs
Mounting support	35 mm symmetrical DIN rail
Product weight	0.22 lb(US) (0.1 kg)


## Environment

Standards	EN/IEC 60204-1 EN/ISO 13849-1 EN/IEC 60947-5-1 EN 60947-01 EN 62061 EN 574 type III A
Product certifications	TÜV UL CSA
IP degree of protection	IP20(Terminals) conforming to EN/IEC 60529 IP40(enclosure) conforming to EN/IEC 60529
Ambient air temperature for operation	-13...131 °F (-25...55 °C)
Ambient air temperature for storage	-13...167 °F (-25...75 °C)

## Ordering and shipping details

Category	22477 - SAFETY MODULES (PREVENTA)
Discount Schedule	SAF2
GTIN	003606480476686
Nbr. of units in pkg.	1
Package weight(Lbs)	0.22
Returnability	N
Country of origin	DE

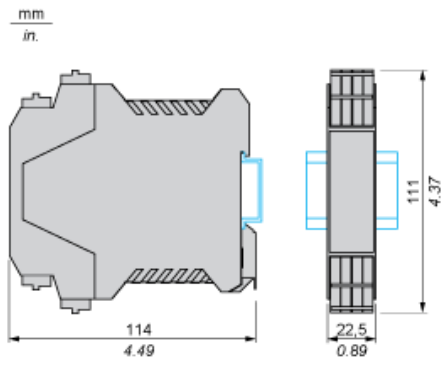
## Offer Sustainability

Sustainable offer status	Green Premium product
RoHS (date code: YYWW)	Compliant - since 1220 - Schneider Electric declaration of conformity  <a href="#">Schneider Electric declaration of conformity</a>
REACH	Reference not containing SVHC above the threshold
Product environmental profile	Available
Product end of life instructions	Available
California proposition 65	WARNING: This product can expose you to chemicals including:
----- Substance 1	Lead and lead compounds, which is known to the State of California to cause cancer and birth defects or other reproductive harm.
----- More information	For more information go to <a href="http://www.p65warnings.ca.gov">www.p65warnings.ca.gov</a>

## Contractual warranty

Warranty period	18 months
-----------------	-----------

Dimensions



## X-ON Electronics

Largest Supplier of Electrical and Electronic Components

*Click to view similar products for [Safety Relays](#) category:*

*Click to view products by [Schneider](#) manufacturer:*

Other Similar products are found below :

[7-1618103-5](#) [1351-1X](#) [1618082-4](#) [1618111-1](#) [C200HDA003](#) [C200HMR432](#) [C200HMR832](#) [C200HMR833](#) [C28PEDRA](#) [20-050-36X](#)  
[C500ETL01](#) [C500OD415CN](#) [2-1618068-0](#) [9-1618103-2](#) [SP10-ETL01](#) [22-060X](#) [C200HNC112](#) [C200HOD214](#) [C500CN812N](#) [4NK0AQY](#)  
[1100X](#) [1100-42X](#) [V23050A1012A551](#) [6-1618082-4](#) [7-1618103-6](#) [WTD-101X](#) [SP16DRD](#) [SP16DRA](#) [C500-CE243](#) [C500-IDS02-V1](#)  
[607.5111.020](#) [DOLD 48173](#) [CS AR-02V024](#) [CS AR-20V024](#) [CS AR-22V024](#) [CS AR-22V230](#) [CS AR-46V024](#) [750136](#) [777512](#) [PSR-MS21-](#)  
[1NO-1DO-24DC-SC](#) [600PSR-165/300-CU](#) [SR6V6K18](#) [SR4M4005](#) [BPS 36-1](#) [BP34 - 101057553](#) [2TLA010033R3000](#) [2TLA010033R2000](#)  
[2TLA010033R0000](#) [2TLA010028R1000](#) [2TLA010017R0100](#)