



### Main

Range of Product	Preventa Safety automation
Product or Component Type	Preventa safety module
Safety module name	XPSVC
Safety module application	For enabling switch monitoring
Function of module	Switch monitoring
Safety level	Can reach PL e/category 4 EN/ISO 13849-1 Can reach SILCL 3 EN/IEC 62061
Safety reliability data	MTTFd = 50 years EN/ISO 13849-1 DC > 99 % EN/ISO 13849-1 PFHd = 1.3E-8 1/h EN/IEC 62061
[Us] Rated Supply Voltage	24 V DC - 20...20 %
Output type	Relay, 2 NO, volt-free
Number of additional circuits	2 solid state outputs

### Complementary

Power Consumption in W	2.5 W
Input protection type	Internal, electronic
[Uc] control circuit voltage	24 V DC
Maximum line resistance	100 Ohm
Breaking capacity	180 VA holding AC-15 C300 relay output 1800 VA inrush AC-15 C300 relay output
Breaking capacity	1.5 A 24 V DC-13)50 ms relay output
Output thermal current	4.2 A per relay relay output
[Ith] conventional free air thermal current	8.4 A
Associated fuse rating	4 A gG relay output 6 A fast blow relay output
Minimum output current	10 mA relay output
Minimum output voltage	17 V relay output
Maximum response time on input open	20 ms
[Ui] rated insulation voltage	300 V 2)IEC 60947-5-1 300 V 2)DIN VDE 0110 part 1
[Uimp] rated impulse withstand voltage	4 kV III IEC 60947-5-1 4 kV III DIN VDE 0110 part 1
Local signalling	3 LEDs
Connections - terminals	Captive screw clamp terminals, removable terminal block, 1 x 0.2...1 x 2.5 mm <sup>2</sup> flexible without cable end Captive screw clamp terminals, removable terminal block, 1 x 0.2...1 x 2.5 mm <sup>2</sup> solid without cable end Captive screw clamp terminals, removable terminal block, 1 x 0.25...1 x 2.5 mm <sup>2</sup> flexible with cable end, with bezel Captive screw clamp terminals, removable terminal block, 1 x 0.25...1 x 2.5 mm <sup>2</sup> flexible with cable end, without bezel Captive screw clamp terminals, removable terminal block, 2 x 0.2...2 x 1 mm <sup>2</sup> solid without cable end Captive screw clamp terminals, removable terminal block, 2 x 0.2...2 x 1.5 mm <sup>2</sup> flexible without cable end Captive screw clamp terminals, removable terminal block, 2 x 0.25...2 x 1 mm <sup>2</sup> flexible with cable end, without bezel Captive screw clamp terminals, removable terminal block, 2 x 0.5...2 x 1.5 mm <sup>2</sup> flexible with cable end, with double bezel
Current consumption	8 mA 24 V DC on power supply

The information provided in this documentation contains general descriptions and/or technical characteristics of the performance of the products contained herein. This documentation is not intended as a substitute for and is not to be used for determining suitability or reliability of these products for specific user applications. It is the duty of any such user or integrator to perform the appropriate and complete risk analysis, evaluation and testing of the products with respect to the relevant specific application or use thereof. Neither Schneider Electric Industries SAS nor any of its affiliates or subsidiaries shall be responsible or liable for misuse of the information contained herein.

Mounting Support	35 mm symmetrical DIN rail
Net Weight	0.55 lb(US) (0.25 kg)

## Environment

Standards	EN/IEC 60947-5-1 EN/IEC 60204-1 EN 61326 + A1
Product Certifications	CSA TÜV UL
IP degree of protection	IP20 EN/IEC 60529 terminals) IP40 EN/IEC 60529 enclosure)
Ambient air temperature for operation	14...131 °F (-10...55 °C)
Ambient Air Temperature for Storage	-13...185 °F (-25...85 °C)

## Ordering and shipping details

Category	22477 - SAFETY MODULES (PREVENTA)
Discount Schedule	SAF2
GTIN	3389110274264
Nbr. of units in pkg.	1
Package weight(Lbs)	7.65 oz (217 g)
Returnability	No
Country of origin	ID

## Packing Units

Unit Type of Package 1	PCE
Package 1 Height	4.72 in (12 cm)
Package 1 width	1.10 in (2.8 cm)
Package 1 Length	4.13 in (10.5 cm)
Unit Type of Package 2	S03
Number of Units in Package 2	1
Package 2 Weight	23.21 oz (658 g)
Package 2 Height	11.81 in (30 cm)
Package 2 width	11.81 in (30 cm)
Package 2 Length	15.75 in (40 cm)
Unit Type of Package 3	S01
Number of Units in Package 3	15
Package 3 Weight	7.67 lb(US) (3.48 kg)
Package 3 Height	5.91 in (15 cm)
Package 3 width	5.91 in (15 cm)
Package 3 Length	15.75 in (40 cm)

## Offer Sustainability

Sustainable offer status	Green Premium product
California proposition 65	WARNING: This product can expose you to chemicals including: Lead and lead compounds, which is known to the State of California to cause cancer and birth defects or other reproductive harm. For more information go to <a href="http://www.P65Warnings.ca.gov">www.P65Warnings.ca.gov</a>
REACH Regulation	<a href="#">REACH Declaration</a>
EU RoHS Directive	Pro-active compliance (Product out of EU RoHS legal scope) <a href="#">EU RoHS Declaration</a>
Mercury free	Yes
RoHS exemption information	<a href="#">Yes</a>
China RoHS Regulation	<a href="#">China RoHS Declaration</a>
Environmental Disclosure	<a href="#">Product Environmental Profile</a>

---

Circularity Profile	<a href="#">End Of Life Information</a>
WEEE	The product must be disposed on European Union markets following specific waste collection and never end up in rubbish bins.
PVC free	Yes

---

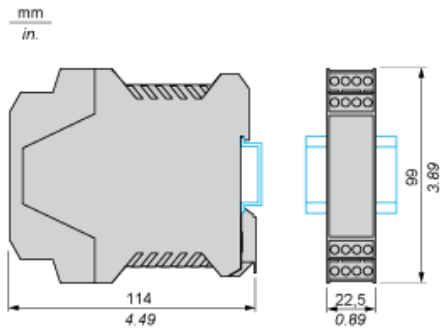
### Contractual warranty

---

Warranty	18 months
----------	-----------

---

Dimensions



## X-ON Electronics

Largest Supplier of Electrical and Electronic Components

*Click to view similar products for [Safety Relays](#) category:*

*Click to view products by [Schneider](#) manufacturer:*

Other Similar products are found below :

[7-1618103-5](#) [1351-1X](#) [1618082-4](#) [1618111-1](#) [C200HDA003](#) [C200HMR432](#) [C200HMR832](#) [C200HMR833](#) [C28PEDRA](#) [20-050-36X](#)  
[C500ETL01](#) [C500OD415CN](#) [2-1618068-0](#) [9-1618103-2](#) [SP10-ETL01](#) [22-060X](#) [C200HNC112](#) [C200HOD214](#) [C500CN812N](#) [4NK0AQY](#)  
[1100X](#) [1100-42X](#) [V23050A1012A551](#) [6-1618082-4](#) [7-1618103-6](#) [WTD-101X](#) [SP16DRD](#) [SP16DRA](#) [C500-CE243](#) [C500-IDS02-V1](#)  
[607.5111.020](#) [DOLD 48173](#) [CS AR-02V024](#) [CS AR-22V024](#) [CS AR-22V230](#) [CS AR-46V024](#) [750136](#) [PSR-MS21-1NO-1DO-24DC-SC](#)  
[600PSR-165/300-CU](#) [SR6V6K18](#) [SR4M4005](#) [BPS 36-1](#) [BP34 - 101057553](#) [2TLA010033R3000](#) [2TLA010033R2000](#) [2TLA010033R0000](#)  
[2TLA010028R1000](#) [2TLA010017R0100](#) [2TLA010026R0400](#) [SCR 2-W22-2.5](#)