

Product availability: Stock - Normally stocked in distribution facility



## Main

|                                    |  |
|------------------------------------|--|
| Range of product                   | OsiSense XS  |
| Series name                        | General purpose  |
| Sensor type                        | Inductive proximity sensor                                   |
| Device application                 | -  |
| Sensor name                        | XS1  |
| Sensor design                      | Cylindrical M8   |
| Size                               | 42 mm  |
| Body type                          | Fixed  |
| Detector flush mounting acceptance | Flush mountable  |
| Material                           | Metal  |
| Type of output signal              | Discrete   |
| Wiring technique                   | 3-wire   |
| [Sn] nominal sensing distance      | 0.1 in (2.5 mm)  |
| Discrete output function           | 1 NO   |
| Output circuit type                | DC   |
| Discrete output type               | PNP  |
| Electrical connection              | M8 male connector, 3 pins                                    |
| [Us] rated supply voltage          | 12...24 V DC with reverse polarity protection                |
| Switching capacity in mA           | <= 200 mA with overload and short-circuit protection         |
| IP degree of protection            | IP65 conforming to IEC 60529<br>IP67 conforming to IEC 60529 |
| Sale per indivisible quantity      | 1  |

## Complementary

|                       |                             |
|-----------------------|-----------------------------|
| Thread type           | M8 x 1                      |
| Detection face        | Frontal                     |
| Front material        | PPS                         |
| Enclosure material    | Nickel plated brass         |
| Operating zone        | 0...0.08 in (0...2 mm)      |
| Differential travel   | 1...15% of Sr               |
| Status LED            | 1 LED (yellow) output state |
| Supply voltage limits | 10...36 V DC                |
| Switching frequency   | <= 2500 Hz                  |
| Voltage drop          | <= 2 V (closed state)       |
| Current consumption   | <= 10 mA (no-load)          |
| Delay first up        | <= 10 ms                    |
| Delay response        | <= 0.2 ms                   |
| Delay recovery        | <= 0.2 ms                   |
| Marking               | CE                          |
| Threaded length       | 1.02 in (26 mm)             |
| Length                | 1.65 in (42 mm)             |

## Environment

|                                       |   |
|---------------------------------------|---|
| Product certifications                | UL<br>CSA   |
| Ambient air temperature for operation | -13...158 °F (-25...70 °C)  |
| Ambient air temperature for storage   | -40...185 °F (-40...85 °C)  |
| Vibration resistance                  | 25 gn, amplitude: +/- 2 mm (f = 10...55 Hz) conforming to IEC 60068-2-6 |
| Shock resistance                      | 50 gn (duration = 11 ms) conforming to IEC 60068-2-27                   |

## Ordering and shipping details

|                       |   |
|-----------------------|---|
| Category              | 21571 - SENSORS, ELECTRONIC BASIC XU & XS |
| Discount Schedule     | DS2                                       |
| GTIN                  | 00785901683957                            |
| Nbr. of units in pkg. | 1   |
| Package weight(Lbs)   | 5.999999999999998E-2                      |
| Returnability         | Y   |
| Country of origin     | ID  |

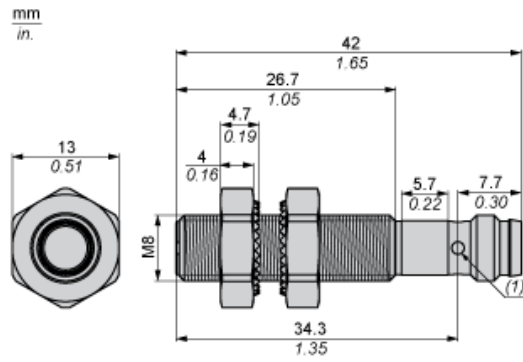
## Offer Sustainability

|                                  |  |
|----------------------------------|--|
| Sustainable offer status         | Green Premium product  |
| RoHS (date code: YYWW)           | Compliant - since 1104 - Schneider Electric declaration of conformity <a href="#">Schneider Electric declaration of conformity</a> |
| REACH                            | Reference not containing SVHC above the threshold  |
| Product environmental profile    | Available  |
| Product end of life instructions | Available  |
| California proposition 65        | WARNING: This product can expose you to chemicals including:   |
| ----- Substance 1                | Diisononyl phthalate (DINP), which is known to the State of California to cause cancer, and  |
| ----- Substance 2                | Di-isodecyl phthalate (DIDP), which is known to the State of California to cause birth defects or other reproductive harm.         |
| ----- More information           | For more information go to <a href="http://www.p65warnings.ca.gov">www.p65warnings.ca.gov</a>                                      |

## Contractual warranty

|                 |           |
|-----------------|-----------|
| Warranty period | 18 months |
|-----------------|-----------|

Dimensions



(1) LED

---

Minimum Mounting Distances in mm

---

Side by side



e (1) 5 mm/0.20 in.

≥

Face to face



e (2) 30 mm/1.18 in.

≥

Facing a metal object



e (3) 8 mm/0.31 in.

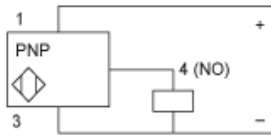
≥

## Wiring Schemes

M8 Connector

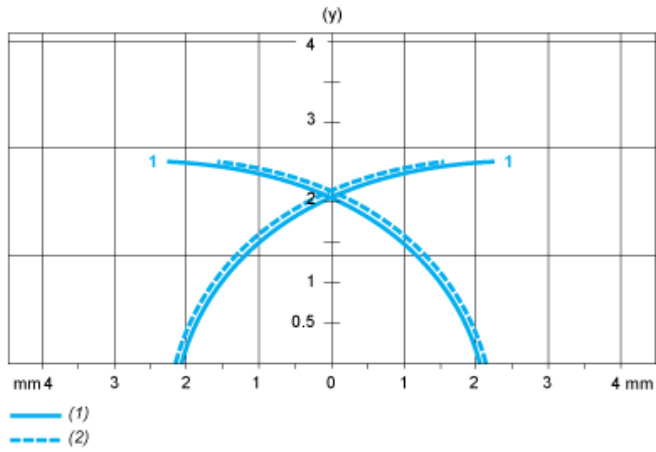


PNP



Performance Curves

Standard Steel Target (mm) : 8x8x1



- (1) Pick-up points
- (2) Drop-out points (object approaching from the side)
- (y) Sensing distance in mm

## X-ON Electronics

Largest Supplier of Electrical and Electronic Components

*Click to view similar products for [Proximity Sensors](#) category:*

*Click to view products by [Schneider](#) manufacturer:*

Other Similar products are found below :

[01.001.5653.1](#) [70.340.1028.0](#) [70.360.2428.0](#) [70.364.4828.0](#) [70.810.1053.0](#) [72.360.1628.0](#) [73.363.6428.0](#) [8027AL20NL2CPXX](#) [FYCC8E1-2](#)  
[9221350022](#) [922AA2W-A9P-L](#) [PLS2](#) [GL-12F-C2.5X10\(LOT3\)](#) [972AB2XM-A3N-L](#) [972AB3XM-A3P-L](#) [PS3251](#) [980659-1](#) [QT-12](#) [E2E2-](#)  
[X5M41-M4](#) [E2E-X14MD1-G](#) [E2E-X2D1-G](#) [E2EX2ME2N](#) [E2EX3D1SM1N](#) [E2E-X4MD1-G](#) [E2E-X5E1-5M-N](#) [E2E-X5Y2-N](#) [E2E-X7D1-](#)  
[M1J-T-0.3M-N](#) [E2FMX1R5D12M](#) [E2K-F10MC1](#) [5M](#) [EH-302](#) [EI3010TBOP](#) [EI5515NPAP](#) [MS605AU](#) [EP175-32000](#) [IFRM04N35B1/L](#)  
[IFRM04P1513/S35L](#) [IFRM06P1703/S35L](#) [IFRM08P1501/S35L](#) [IFRM12N17G3/L](#) [IFRM12P17G3/L](#) [IFRM12P3502/L](#) [IFRM12P37G1/S14L](#)  
[ILFK12E9189/I02](#) [ILFK12E9193/I02](#) [IMM2582C](#) [OISN-013](#) [25.161.3253.0](#) [25.332.0653.1](#) [25.352.0653.0](#) [25.352.0753.0](#)