

# Product data sheet

Specifications



Inductive proximity sensors XS, inductive sensor XS2 M18, L60mm, stainless, Sn12mm, 24...240VAC/DC, cable 2 m

XS218SAMAL2

## Main

|                                    |   |
|------------------------------------|---|
| Range of product                   | Telemecanique Inductive proximity sensors XS                                    |
| Series name                        | Application   |
| Sensor type                        | Inductive proximity sensor  |
| Device application                 | Food and beverage   |
| Market segment                     | Pharmaceutical  |
| Sensor name                        | XS2   |
| Sensor design                      | Cylindrical M18   |
| Size                               | 60 mm   |
| Body type                          | Fixed   |
| Detector flush mounting acceptance | Non flush mountable   |
| Material                           | Stainless steel   |
| Type of output signal              | Discrete  |
| Wiring technique                   | 2-wire  |
| [Sn] nominal sensing distance      | 12 mm   |
| Discrete output function           | 1 NO  |
| Output circuit type                | AC/DC   |
| Electrical connection              | Cable   |
| Cable length                       | 2 m   |
| [Us] rated supply voltage          | 24...240 V AC 50/60 Hz<br>24...240 V DC   |
| Switching capacity in mA           | 5...200 mA DC<br>5...300 mA AC  |
| IP degree of protection            | IP68 double insulation conforming to IEC 60529<br>IP69K conforming to DIN 40050 |

## Complementary

|                    |                       |
|--------------------|-----------------------|
| Thread type        | M18 x 1               |
| Detection face     | Frontal               |
| Front material     | PPS                   |
| Enclosure material | Stainless steel 316 L |

|                          |                              |
|--------------------------|------------------------------|
| Sensing range            | > 8...15 mm                  |
| Operating zone           | 0...9.6 mm                   |
| Differential travel      | 1...15% of Sr                |
| Cable composition        | 2 x 0.34 mm <sup>2</sup>     |
| Wire insulation material | PVC                          |
| Status LED               | Output state: 1 LED (yellow) |
| Supply voltage limits    | 20...264 V AC/DC             |
| Maximum residual current | 0.8 mA open state            |
| Switching frequency      | <= 1000 Hz DC<br><= 25 Hz AC |
| Maximum voltage drop     | <5.5 V (closed)              |
| Maximum delay first up   | 30 ms                        |
| Maximum delay response   | 0.5 ms                       |
| Maximum delay recovery   | 0.5 ms                       |
| Marking                  | CE                           |
| Threaded length          | 40 mm                        |
| Length                   | 60 mm                        |
| Net weight               | 0.12 kg                      |

## Environment

|                                       |   |
|---------------------------------------|---|
| Product certifications                | CSA<br>UL<br>CCC  |
| Ambient air temperature for operation | -25...85 °C   |
| Ambient air temperature for storage   | -40...85 °C   |
| Vibration resistance                  | 25 gn amplitude = +/- 2 mm (f = 10...55 Hz) conforming to IEC 60068-2-6 |
| Shock resistance                      | 50 gn for 11 ms conforming to IEC 60068-2-27                            |

## Packing Units

|                              |         |
|------------------------------|---------|
| Unit Type of Package 1       | Db      |
| Number of Units in Package 1 | 1       |
| Package 1 Height             | 4.3 cm  |
| Package 1 Width              | 9.5 cm  |
| Package 1 Length             | 13.0 cm |
| Package 1 Weight             | 102.0 g |
| Unit Type of Package 2       | S01     |
| Number of Units in Package 2 | 11      |
| Package 2 Height             | 15 cm   |
| Package 2 Width              | 15 cm   |
| Package 2 Length             | 40 cm   |
| Package 2 Weight             | 1.3 kg  |

## Offer Sustainability

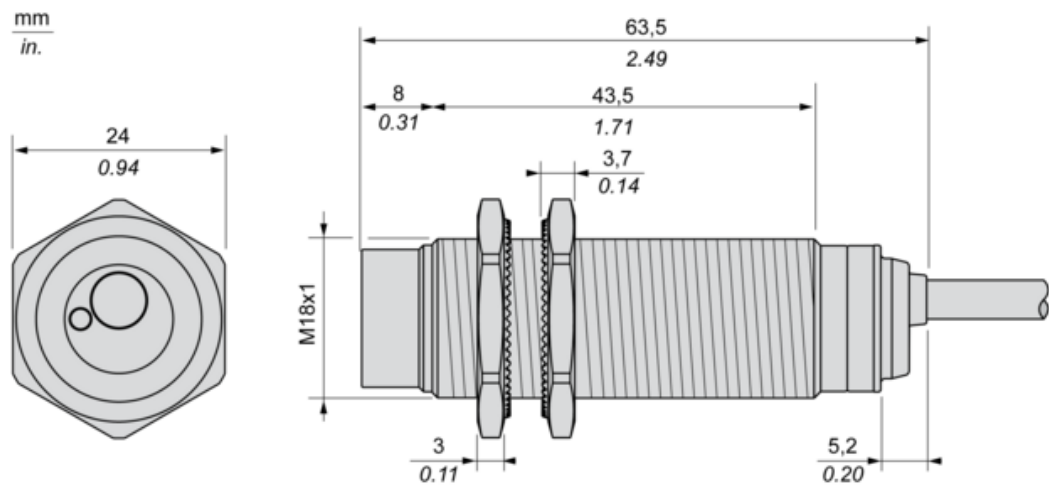
|                          |                       |
|--------------------------|-----------------------|
| Sustainable offer status | Green Premium product |
|--------------------------|-----------------------|

|                                   |   |
|-----------------------------------|---|
| <b>REACH Regulation</b>           | <a href="#">REACH Declaration</a>   |
| <b>EU RoHS Directive</b>          | Pro-active compliance (Product out of EU RoHS legal scope)<br><a href="#">EU RoHS Declaration</a>   |
| <b>Mercury free</b>               | Yes   |
| <b>RoHS exemption information</b> | Yes   |
| <b>Environmental Disclosure</b>   | <a href="#">Product Environmental Profile</a>   |
| <b>Circularity Profile</b>        | <a href="#">End of Life Information</a>   |
| <b>California proposition 65</b>  | WARNING: This product can expose you to chemicals including: Diisononyl phthalate (DINP), which is known to the State of California to cause cancer, and Di-isodecyl phthalate (DIDP), which is known to the State of California to cause birth defects or other reproductive harm. For more information go to <a href="http://www.P65Warnings.ca.gov">www.P65Warnings.ca.gov</a> |

## Contractual warranty

|                 |           |
|-----------------|-----------|
| <b>Warranty</b> | 18 months |
|-----------------|-----------|

Dimensions



Minimum Mounting Distances

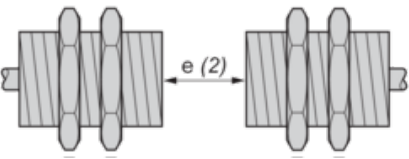
---

Side by side



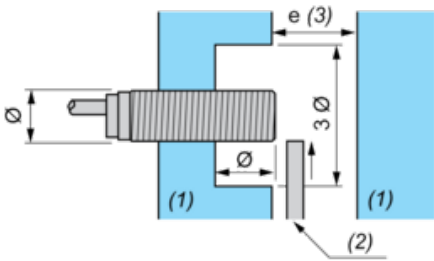
$e (1) \geq 72 \text{ mm}/2.83 \text{ in.}$

Face to face



$e (2) \geq 144 \text{ mm}/5.67 \text{ in.}$

Facing a metal object



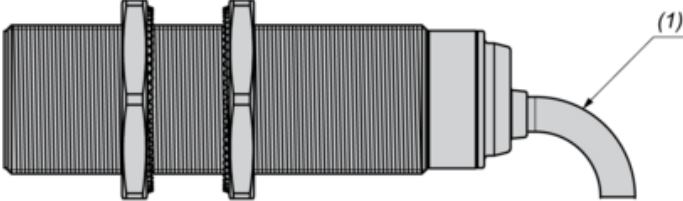
$e (3) \geq 36 \text{ mm}/1.42 \text{ in}$

(1) Metal

(2) Object to be detected

**Mounting**

---



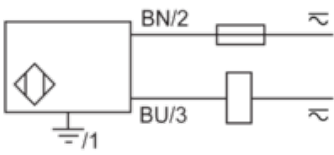
(1) Bending cable: 4 x external cable diameter

**Wiring Schemes**

---

**2-Wire AC or DC**

NO output



**BU** : Blue

**BN** : Brown

**Recommended replacement(s)**

## X-ON Electronics

Largest Supplier of Electrical and Electronic Components

*Click to view similar products for [Proximity Sensors](#) category:*

*Click to view products by [Schneider](#) manufacturer:*

Other Similar products are found below :

[70.340.1028.0](#) [70.360.2428.0](#) [8027AL20NL2CPXX](#) [9221350022](#) [922AA2W-A9P-L](#) [GL-12F-C2.5X10\(LOT3\)](#) [972AB3XM-A3P-L](#) [PS3251](#)  
[980659-1](#) [E2E2-X5M41-M4](#) [E2E-X14MD1-G](#) [E2E-X2D1-G](#) [E2E-X4MD1-G](#) [E2E-X5E1-5M-N](#) [E2E-X5Y2-N](#) [EH-302](#) [EI3010TBOP](#)  
[MS605AU](#) [EP175-32000](#) [IC08ANC15PO-K](#) [IFRM04P1513/S35L](#) [IFRM06P1703/S35L](#) [IFRM08P1501/S35L](#) [IFRM12N17G3/L](#)  
[IFRM12P3502/L](#) [IFRM12P37G1/S14L](#) [ILFK12E9189/I02](#) [ILFK12E9193/I02](#) [OISN-013](#) [25.332.0653.1](#) [25.352.0653.0](#) [25.352.0753.0](#)  
[25.523.3253.0](#) [9151710023](#) [922AA1HI-A4P-L](#) [922AA2XM-B9P-L](#) [922FS0.8-H4P-G-020](#) [922FS1.5C-A4P-Z774](#) [SC606ABV0S30](#)  
[SM552A100](#) [SM851A1200FP](#) [F3S-A162-U](#) [GL-12F-C2X10\(LOT10\)](#) [GL-8HIBX10](#) [QT-08L](#) [RDS-DIN3-PA-D1](#) [34.110.0010.0](#) [3U02](#) [TL-](#)  
[C2MF1-M3-E4](#) [TLX5C1GE](#)