

# XS530B1NBM12

inductive sensor XS5 M30 - L55mm - brass - Sn10mm - 12..24VDC - M12



Product availability: Non-Stock - Not normally stocked in distribution facility



## Main

|                                    |   |
|------------------------------------|---|
| Range of product                   | OsiSense XS   |
| Series name                        | General purpose   |
| Sensor type                        | Inductive proximity sensor                                    |
| Device application                 | -   |
| Sensor name                        | XS5   |
| Sensor design                      | Cylindrical M30   |
| Size                               | 55 mm   |
| Body type                          | Fixed   |
| Detector flush mounting acceptance | Flush mountable   |
| Material                           | Metal   |
| Type of output signal              | Discrete  |
| Wiring technique                   | 3-wire  |
| [Sn] nominal sensing distance      | 0.39 in (10 mm)   |
| Discrete output function           | 1 NC  |
| Output circuit type                | DC  |
| Discrete output type               | NPN   |
| Electrical connection              | Male connector M12 4 pins                                     |
| [Us] rated supply voltage          | 12...24 V DC with reverse polarity protection                 |
| Switching capacity in mA           | <= 200 mA DC with overload and short-circuit protection       |
| IP degree of protection            | IP67 conforming to IEC 60529<br>IP69K conforming to DIN 40050 |

## Complementary

|                       |                             |
|-----------------------|-----------------------------|
| Thread type           | M30 x 1.5                   |
| Detection face        | Frontal                     |
| Front material        | PPS                         |
| Enclosure material    | Nickel plated brass         |
| Operating zone        | 0...0.31 in (0...8 mm)      |
| Differential travel   | 1...15% of Sr               |
| Status LED            | 1 LED (yellow) output state |
| Supply voltage limits | 10...36 V DC                |
| Switching frequency   | <= 1000 Hz                  |
| Voltage drop          | <= 2 V, closed state        |
| Current consumption   | <= 10 mA (no-load)          |
| Delay first up        | <= 10 ms                    |
| Delay response        | <= 0.3 ms                   |
| Delay recovery        | <= 0.7 ms                   |
| Marking               | CE                          |
| Threaded length       | 1.26 in (32 mm)             |
| Height                | 1.18 in (30 mm)             |
| Length                | 2.17 in (55 mm)             |
| Product weight        | 0.32 lb(US) (0.145 kg)      |

The information provided in this documentation contains general descriptions and/or technical characteristics of the performance of the products contained herein. This documentation is not intended as a substitute for and is not to be used for determining suitability or reliability of these products for specific user applications. It is the duty of any such user or integrator to perform the appropriate and complete risk analysis, evaluation and testing of the products with respect to the relevant specific application or use thereof. Neither Schneider Electric Industries SAS nor any of its affiliates or subsidiaries shall be responsible or liable for misuse of the information contained herein.

## Environment

|                                       |   |
|---------------------------------------|---|
| Product certifications                | CSA<br>UL   |
| Ambient air temperature for operation | -13...158 °F (-25...70 °C)  |
| Ambient air temperature for storage   | -40...185 °F (-40...85 °C)  |
| Vibration resistance                  | 25 gn, amplitude: +/- 2 mm (f = 10...55 Hz) conforming to IEC 60068-2-6 |
| Shock resistance                      | 50 gn (duration = 11 ms) conforming to IEC 60068-2-27                   |

## Ordering and shipping details

|                       |                            |
|-----------------------|----------------------------|
| Category              | 22486 - SENSORS, PROXIMITY |
| Discount Schedule     | DS2                        |
| GTIN                  | 00785901505136             |
| Nbr. of units in pkg. | 1                          |
| Package weight(Lbs)   | 0.28000000000000003        |
| Returnability         | N                          |
| Country of origin     | FR                         |

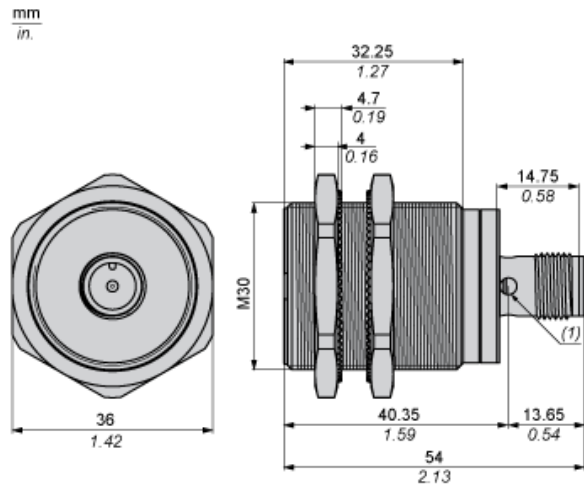
## Offer Sustainability

|                                  |  |
|----------------------------------|--|
| Sustainable offer status         | Green Premium product  |
| RoHS (date code: YYWW)           | Compliant - since 0812 - Schneider Electric declaration of conformity <a href="#">Schneider Electric declaration of conformity</a> |
| REACH                            | Reference not containing SVHC above the threshold  |
| Product environmental profile    | Available  |
| Product end of life instructions | Available  |
| California proposition 65        | WARNING: This product can expose you to chemicals including:   |
| ----- Substance 1                | Diisononyl phthalate (DINP), which is known to the State of California to cause cancer, and  |
| ----- Substance 2                | Di-isodecyl phthalate (DIDP), which is known to the State of California to cause birth defects or other reproductive harm.         |
| ----- More information           | For more information go to <a href="http://www.p65warnings.ca.gov">www.p65warnings.ca.gov</a>                                      |

## Contractual warranty

|                 |           |
|-----------------|-----------|
| Warranty period | 18 months |
|-----------------|-----------|

Dimensions



(1) LED

---

Minimum Mounting Distances

---

Side by side



e (1) 20 mm/0.79 in

≥

Face to face



e (2) 120 mm/4.72 in

≥

Facing a metal object



e (3) 30 mm/1.18 in.

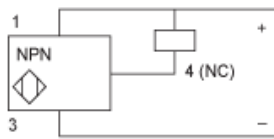
≥

## Wiring Schemes

M12 connector



NPN



- 1 : (+)
- 2 : NC Output
- 3 : (-)
- 4 : Not connected

Performance Curves

Standard Steel Target : 30x30x1 mm



- (1) Pick-up points
- (2) Drop-out points (object approaching from the side)
- (y) Sensing distance in mm

## X-ON Electronics

Largest Supplier of Electrical and Electronic Components

*Click to view similar products for [Proximity Sensors](#) category:*

*Click to view products by [Schneider](#) manufacturer:*

Other Similar products are found below :

[01.001.5653.1](#) [70.340.1028.0](#) [70.360.2428.0](#) [70.364.4828.0](#) [70.810.1053.0](#) [72.360.1628.0](#) [73.363.6428.0](#) [8027AL20NL2CPXX](#) [FYCC8E1-2](#)  
[9221350022](#) [922AA2W-A9P-L](#) [PLS2](#) [GL-12F-C2.5X10\(LOT3\)](#) [972AB2XM-A3N-L](#) [972AB3XM-A3P-L](#) [PS3251](#) [980659-1](#) [QT-12](#) [E2E2-](#)  
[X5M41-M4](#) [E2E-X14MD1-G](#) [E2E-X2D1-G](#) [E2EX2ME2N](#) [E2EX3D1SM1N](#) [E2E-X4MD1-G](#) [E2E-X5E1-5M-N](#) [E2E-X5Y2-N](#) [E2E-X7D1-](#)  
[M1J-T-0.3M-N](#) [E2FMX1R5D12M](#) [E2K-F10MC1](#) [5M](#) [EH-302](#) [EI3010TBOP](#) [EI5515NPAP](#) [MS605AU](#) [EP175-32000](#) [IFRM04N35B1/L](#)  
[IFRM04P1513/S35L](#) [IFRM06P1703/S35L](#) [IFRM08P1501/S35L](#) [IFRM12N17G3/L](#) [IFRM12P17G3/L](#) [IFRM12P3502/L](#) [IFRM12P37G1/S14L](#)  
[ILFK12E9189/I02](#) [ILFK12E9193/I02](#) [IMM2582C](#) [OISN-013](#) [25.161.3253.0](#) [25.332.0653.1](#) [25.352.0653.0](#) [25.352.0753.0](#)