



Product availability: Stock - Normally stocked in distribution facility



## Main

|                                    |   |
|------------------------------------|---|
| Range of product                   | OsiSense XS   |
| Series name                        | General purpose   |
| Sensor type                        | Inductive proximity sensor  |
| Device application                 | -   |
| Sensor name                        | XS6   |
| Sensor design                      | Cylindrical M12   |
| Size                               | 53 mm   |
| Body type                          | Fixed   |
| Detector flush mounting acceptance | Flush mountable   |
| Material                           | Metal   |
| Type of output signal              | Discrete  |
| Wiring technique                   | 2-wire  |
| [Sn] nominal sensing distance      | 0.16 in (4 mm)  |
| Discrete output function           | 1 NC  |
| Output circuit type                | AC/DC   |
| Electrical connection              | Cable   |
| Cable length                       | 6.56 ft (2 m)   |
| [Us] rated supply voltage          | 24...240 V AC/DC (50/60 Hz)   |
| Switching capacity in mA           | 5...200 mA AC/DC  |
| IP degree of protection            | IP68 double insulation conforming to IEC 60529<br>IP69K conforming to DIN 40050 |

## Complementary

|                          |                              |
|--------------------------|------------------------------|
| Thread type              | M12 x 1                      |
| Detection face           | Frontal                      |
| Front material           | PPS                          |
| Enclosure material       | Nickel plated brass          |
| Operating zone           | 0...0.13 in (0...3.2 mm)     |
| Differential travel      | 1...15% of Sr                |
| Cable composition        | 2 x 0.34 mm <sup>2</sup>     |
| Wire insulation material | PvR                          |
| Status LED               | 1 LED (yellow) output state  |
| Supply voltage limits    | 20...264 V AC/DC             |
| Residual current         | <= 0.8 mA, open state        |
| Switching frequency      | <= 1000 Hz DC<br><= 25 Hz AC |
| Voltage drop             | <= 5.5 V, closed state       |
| Delay first up           | <= 20 ms                     |
| Delay response           | <= 0.5 ms                    |
| Delay recovery           | <= 0.2 ms                    |
| Marking                  | CE                           |
| Threaded length          | 1.65 in (42 mm)              |
| Length                   | 2.09 in (53 mm)              |
| Product weight           | 0.17 lb(US) (0.075 kg)       |

## Environment

|                                       |   |
|---------------------------------------|---|
| Product certifications                | CSA<br>UL   |
| Ambient air temperature for operation | -13...158 °F (-25...70 °C)  |
| Ambient air temperature for storage   | -40...185 °F (-40...85 °C)  |
| Vibration resistance                  | 25 gn, amplitude: +/- 2 mm (f = 10...55 Hz) conforming to IEC 60068-2-6 |
| Shock resistance                      | 50 gn (duration = 11 ms) conforming to IEC 60068-2-27                   |

## Ordering and shipping details

|                       |                            |
|-----------------------|----------------------------|
| Category              | 22486 - SENSORS, PROXIMITY |
| Discount Schedule     | DS2                        |
| GTIN                  | 00785901522737             |
| Nbr. of units in pkg. | 1                          |
| Package weight(Lbs)   | 0.20000000000000001        |
| Returnability         | Y                          |
| Country of origin     | ID                         |

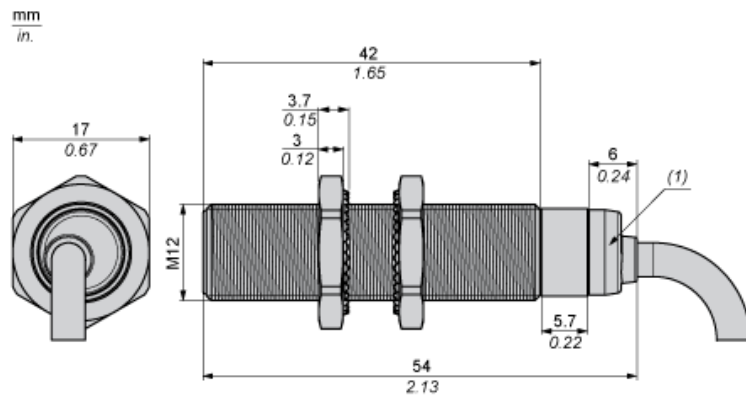
## Offer Sustainability

|                                  |  |
|----------------------------------|--|
| Sustainable offer status         | Green Premium product  |
| RoHS (date code: YYWW)           | Compliant - since 0807 - Schneider Electric declaration of conformity <a href="#">Schneider Electric declaration of conformity</a> |
| REACH                            | Reference not containing SVHC above the threshold  |
| Product environmental profile    | Available  |
| Product end of life instructions | Available  |
| California proposition 65        | WARNING: This product can expose you to chemicals including:   |
| ----- Substance 1                | Diisononyl phthalate (DINP), which is known to the State of California to cause cancer, and  |
| ----- Substance 2                | Di-isodecyl phthalate (DIDP), which is known to the State of California to cause birth defects or other reproductive harm.         |
| ----- More information           | For more information go to <a href="http://www.p65warnings.ca.gov">www.p65warnings.ca.gov</a>                                      |

## Contractual warranty

|                 |           |
|-----------------|-----------|
| Warranty period | 18 months |
|-----------------|-----------|

Dimensions



(1) LED

---

Minimum Mounting Distances

---

Side by side



e (1) 8 mm/0.31 in.

≥

Face to face



e (2) 48 mm/1.89 in.

≥

Facing a metal object



e (3) 12 mm/0.47 in.

≥

---

Mounting

---



(1) Bending cable: 4 x external cable diameter

## Wiring Schemes

### 2-Wire AC or DC

NC output



BU : Blue  
BN : Brown

## X-ON Electronics

Largest Supplier of Electrical and Electronic Components

*Click to view similar products for [Proximity Sensors](#) category:*

*Click to view products by [Schneider](#) manufacturer:*

Other Similar products are found below :

[01.001.5653.1](#) [70.340.1028.0](#) [70.360.2428.0](#) [70.364.4828.0](#) [70.810.1053.0](#) [72.360.1628.0](#) [73.363.6428.0](#) [8027AL20NL2CPXX](#) [FYCC8E1-2](#)  
[9221350022](#) [922AA2W-A9P-L](#) [PLS2](#) [GL-12F-C2.5X10\(LOT3\)](#) [972AB2XM-A3N-L](#) [972AB3XM-A3P-L](#) [PS3251](#) [980659-1](#) [QT-12](#) [E2E2-](#)  
[X5M41-M4](#) [E2E-X14MD1-G](#) [E2E-X2D1-G](#) [E2EX2ME2N](#) [E2EX3D1SM1N](#) [E2E-X4MD1-G](#) [E2E-X5E1-5M-N](#) [E2E-X5Y2-N](#) [E2E-X7D1-](#)  
[M1J-T-0.3M-N](#) [E2FMX1R5D12M](#) [E2K-F10MC1](#) [5M](#) [EH-302](#) [EI3010TBOP](#) [EI5515NPAP](#) [MS605AU](#) [EP175-32000](#) [IFRM04N35B1/L](#)  
[IFRM04P1513/S35L](#) [IFRM06P1703/S35L](#) [IFRM08P1501/S35L](#) [IFRM12N17G3/L](#) [IFRM12P17G3/L](#) [IFRM12P3502/L](#) [IFRM12P37G1/S14L](#)  
[ILFK12E9189/I02](#) [ILFK12E9193/I02](#) [IMM2582C](#) [OISN-013](#) [25.161.3253.0](#) [25.332.0653.1](#) [25.352.0653.0](#) [25.352.0753.0](#)