

# XS8C4A4MPP20

inductive sensor XS8 40x40x117 - PBT - Sn40 mm - 24..240VAC/DC - terminals



Product availability: Non-Stock - Not normally stocked in distribution facility



## Main

|                                    |   |
|------------------------------------|---|
| Range of product                   | OsiSense XS   |
| Series name                        | General purpose   |
| Sensor type                        | Inductive proximity sensor  |
| Device application                 | -   |
| Sensor name                        | XS8   |
| Sensor design                      | Form 40 x 40 x 117  |
| Size                               | 117 mm  |
| Body type                          | Fixed   |
| Detector flush mounting acceptance | Non flush mountable   |
| Material                           | Plastic   |
| Enclosure material                 | PBT   |
| Type of output signal              | Discrete  |
| Wiring technique                   | 2-wire  |
| [Sn] nominal sensing distance      | 1.57 in (40 mm)   |
| Discrete output function           | 1 NO or 1 NC programmable   |
| Output circuit type                | AC/DC   |
| Electrical connection              | Screw-clamp terminals, clamping capacity: 4 x 1.5 mm <sup>2</sup>                             |
| [Us] rated supply voltage          | 24...240 V DC<br>24...240 V AC 50/60 Hz   |
| Switching capacity in mA           | 5...200 mA DC<br>5...300 mA AC  |
| IP degree of protection            | IP65 conforming to IEC 60529<br>IP67 conforming to IEC 60529<br>IP69K conforming to DIN 40050 |

## Complementary

|                       |   |
|-----------------------|---|
| Detection face        | 5 positions turret head                                 |
| Front material        | PBT   |
| Operating zone        | 0...0.63 in (0...16 mm)                                 |
| Differential travel   | 3...15% of Sr   |
| Repeat accuracy       | <= 3% of Sr   |
| Cable entry number    | 1 tapped entry M20 x 1.5 cable gland                    |
| Status LED            | 1 LED green supply on<br>1 LED yellow output state      |
| Supply voltage limits | 20...264 V AC/DC  |
| Residual current      | <= 1.5 mA open state 120 V<br><= 0.6 mA open state 24 V |
| Switching frequency   | <= 25 Hz AC<br><= 50 Hz DC                              |
| Voltage drop          | <= 5.5 V at closed state                                |
| Delay first up        | <= 7.5 ms   |
| Delay response        | <= 1.4 ms   |
| Delay recovery        | <= 2.5 ms   |
| Marking               | CE  |
| Height                | 1.57 in (40 mm)   |

|                |                        |
|----------------|------------------------|
| Length         | 1.57 in (40 mm)        |
| Width          | 4.61 in (117 mm)       |
| Product weight | 0.54 lb(US) (0.244 kg) |

## Environment

|                                       |   |
|---------------------------------------|---|
| Product certifications                | CSA<br>UL<br>CCC  |
| Ambient air temperature for operation | -13...158 °F (-25...70 °C)  |
| Ambient air temperature for storage   | -40...185 °F (-40...85 °C)  |
| Vibration resistance                  | 25 gn amplitude = +/- 2 mm (f = 10...55 Hz) conforming to IEC 60068-2-6 |
| Shock resistance                      | 50 gn 11 ms conforming to EN 60068-2-27                                 |

## Ordering and shipping details

|                       |                            |
|-----------------------|----------------------------|
| Category              | 22486 - SENSORS, PROXIMITY |
| Discount Schedule     | DS2                        |
| GTIN                  | 003389119058216            |
| Nbr. of units in pkg. | 1                          |
| Package weight(Lbs)   | 0.62                       |
| Returnability         | N                          |
| Country of origin     | FR                         |

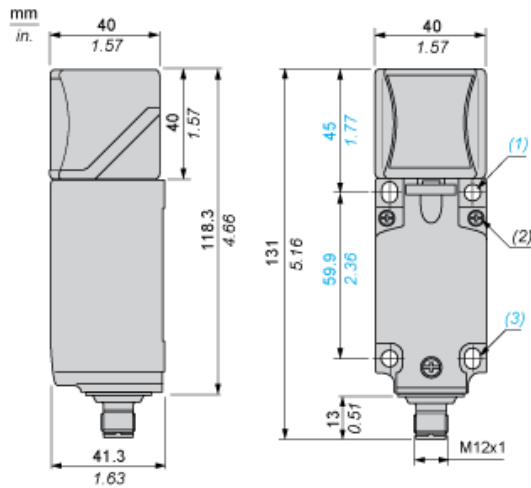
## Offer Sustainability

|                                  |  |
|----------------------------------|--|
| Sustainable offer status         | Green Premium product  |
| RoHS (date code: YYWW)           | Compliant - since 1213 - Schneider Electric declaration of conformity <a href="#">Schneider Electric declaration of conformity</a> |
| REACH                            | Reference not containing SVHC above the threshold  |
| Product environmental profile    | Available  |
| Product end of life instructions | Need no specific recycling operations  |
| California proposition 65        | WARNING: This product can expose you to chemicals including:   |
| ----- Substance 1                | Diisononyl phthalate (DINP), which is known to the State of California to cause cancer, and  |
| ----- Substance 2                | Di-isodecyl phthalate (DIDP), which is known to the State of California to cause birth defects or other reproductive harm.         |
| ----- More information           | For more information go to <a href="http://www.p65warnings.ca.gov">www.p65warnings.ca.gov</a>                                      |

## Contractual warranty

|                 |           |
|-----------------|-----------|
| Warranty period | 18 months |
|-----------------|-----------|

Dimensions



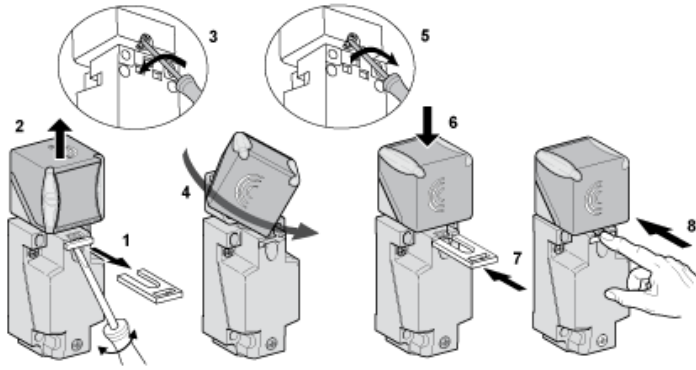
- (1) 2 holes  $\varnothing$  5,45 mm /  $\varnothing$  0.21 in. (Tightening torque: < 1,5 Nm / < 13.3 lb-in.)
- (2) 3 screws M3,5. (Tightening torque: < 1,2 Nm / < 10.6 lb-in.)
- (3) 2 elongated holes 5,4 x 7,4 mm / 0.21 x 0.29 in. (Tightening torque: < 1,5 Nm / < 13.3 lb-in.)

---

Mounting

---

Head Positions

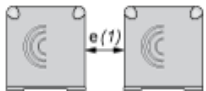


---

Setting-up Precautions

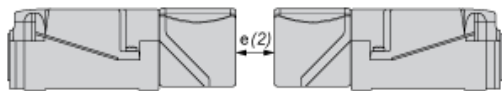
---

Side by Side



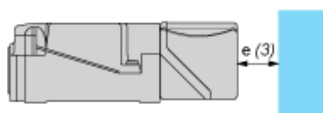
e (1) 160  
≥

Face to Face



e (2) 320  
≥

Facing a Metal Object



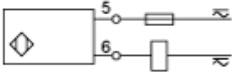
e (3) 120  
≥

---

## Wiring Schemes

---

### 2-Wire AC or DC (Programmable)



## X-ON Electronics

Largest Supplier of Electrical and Electronic Components

*Click to view similar products for [Proximity Sensors](#) category:*

*Click to view products by [Schneider](#) manufacturer:*

Other Similar products are found below :

[01.001.5653.1](#) [70.340.1028.0](#) [70.360.2428.0](#) [70.364.4828.0](#) [70.810.1053.0](#) [72.360.1628.0](#) [73.363.6428.0](#) [8027AL20NL2CPXX](#) [FYCC8E1-2](#)  
[9221350022](#) [922AA2W-A9P-L](#) [PLS2](#) [GL-12F-C2.5X10\(LOT3\)](#) [972AB2XM-A3N-L](#) [972AB3XM-A3P-L](#) [PS3251](#) [980659-1](#) [QT-12](#) [E2E2-](#)  
[X5M41-M4](#) [E2E-X14MD1-G](#) [E2E-X2D1-G](#) [E2EX2ME2N](#) [E2EX3D1SM1N](#) [E2E-X4MD1-G](#) [E2E-X5E1-5M-N](#) [E2E-X5Y2-N](#) [E2E-X7D1-](#)  
[M1J-T-0.3M-N](#) [E2FMX1R5D12M](#) [E2K-F10MC1](#) [5M](#) [EH-302](#) [EI3010TBOP](#) [EI5515NPAP](#) [MS605AU](#) [EP175-32000](#) [IFRM04N35B1/L](#)  
[IFRM04P1513/S35L](#) [IFRM06P1703/S35L](#) [IFRM08P1501/S35L](#) [IFRM12N17G3/L](#) [IFRM12P17G3/L](#) [IFRM12P3502/L](#) [IFRM12P37G1/S14L](#)  
[ILFK12E9189/I02](#) [ILFK12E9193/I02](#) [IMM2582C](#) [OISN-013](#) [25.161.3253.0](#) [25.332.0653.1](#) [25.352.0653.0](#) [25.352.0753.0](#)