

XS9C4A2A2P20

inductive sensor XS9 40x40x117 - PBT - Sn25 mm - 12..24VDC - terminals



Product availability: Non-Stock - Not normally stocked in distribution facility



Main

| | |
|------------------------------------|---|
| Range of product | OsiSense XS |
| Series name | General purpose |
| Sensor type | Inductive proximity sensor |
| Device application | - |
| Sensor name | XS9 |
| Sensor design | Form 40 x 40 x 117 |
| Size | 117 mm |
| Body type | Fixed |
| Detector flush mounting acceptance | Non flush mountable |
| Material | Plastic |
| Enclosure material | PBT |
| Type of output signal | Analogue |
| Wiring technique | 2-wire |
| [Sn] nominal sensing distance | 0.98 in (25 mm) |
| Output circuit type | DC |
| Analogue output range | 4...20 mA |
| Electrical connection | Screw-clamp terminals, clamping capacity: 4 x 1.5 mm ² |
| [Us] rated supply voltage | 12...24 V DC with reverse polarity protection |
| IP degree of protection | IP65 conforming to IEC 60529 IP67 conforming to IEC 60529 IP69K conforming to DIN 40050 |

Complementary

| | |
|-----------------------|--------------------------------------|
| Detection face | 5 positions turret head |
| Front material | PBT |
| Operating zone | 0.08...1.06 in (2...27 mm) |
| Differential travel | 3...15% of Sr |
| Linearity error | <= 3% of Sr |
| Output current drift | <= 5 % |
| Cable entry number | 1 tapped entry M20 x 1.5 cable gland |
| Status LED | 1 LED yellow output state |
| Supply voltage limits | 12...36 V DC |
| Current consumption | 0...4 mA at no-load |
| Delay first up | <= 7.5 ms |
| Delay response | <= 6 ms |
| Delay recovery | <= 6 ms |
| Marking | CE |
| Height | 1.57 in (40 mm) |
| Length | 1.57 in (40 mm) |
| Width | 4.61 in (117 mm) |
| Product weight | 0.54 lb(US) (0.244 kg) |

The information provided in this documentation contains general descriptions and/or technical characteristics of the performance of the products contained herein. This documentation is not intended as a substitute for and is not to be used for determining suitability or reliability of these products for specific user applications. It is the duty of any such user or integrator to perform the appropriate and complete risk analysis, evaluation and testing of the products with respect to the relevant specific application or use thereof. Neither Schneider Electric Industries SAS nor any of its affiliates or subsidiaries shall be responsible or liable for misuse of the information contained herein.

Environment

| | |
|---------------------------------------|---|
| Product certifications | CSA UL CCC |
| Ambient air temperature for operation | -13...158 °F (-25...70 °C) |
| Ambient air temperature for storage | -40...185 °F (-40...85 °C) |
| Vibration resistance | 25 gn amplitude = +/- 2 mm (f = 10...55 Hz) conforming to IEC 60068-2-6 |
| Shock resistance | 50 gn 11 ms conforming to EN 60068-2-27 |

Ordering and shipping details

| | |
|-----------------------|----------------------------|
| Category | 22486 - SENSORS, PROXIMITY |
| Discount Schedule | DS2 |
| GTIN | 003389119058483 |
| Nbr. of units in pkg. | 1 |
| Package weight(Lbs) | 0.56000000000000005 |
| Returnability | N |
| Country of origin | FR |

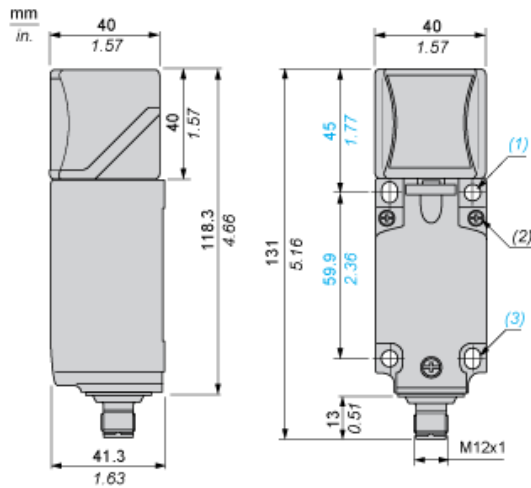
Offer Sustainability

| | |
|----------------------------------|--|
| Sustainable offer status | Green Premium product |
| RoHS (date code: YYWW) | Compliant - since 1213 - Schneider Electric declaration of conformity Schneider Electric declaration of conformity |
| REACH | Reference not containing SVHC above the threshold |
| Product environmental profile | Available |
| Product end of life instructions | Need no specific recycling operations |
| California proposition 65 | WARNING: This product can expose you to chemicals including: |
| ----- Substance 1 | Diisononyl phthalate (DINP), which is known to the State of California to cause cancer, and |
| ----- Substance 2 | Diisodecyl phthalate (DIDP), which is known to the State of California to cause birth defects or other reproductive harm. |
| ----- More information | For more information go to www.p65warnings.ca.gov |

Contractual warranty

| | |
|-----------------|-----------|
| Warranty period | 18 months |
|-----------------|-----------|

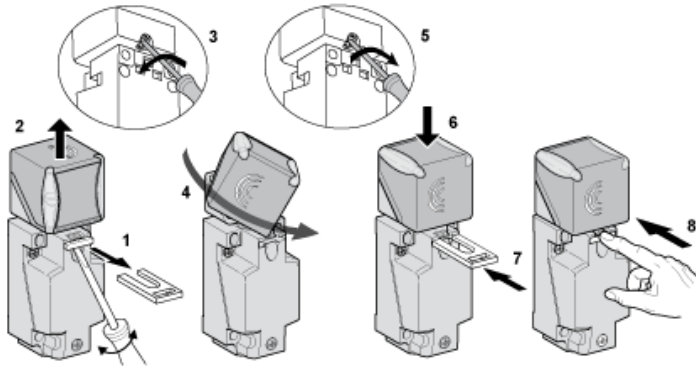
Dimensions



- (1) 2 holes \varnothing 5,45 mm / \varnothing 0.21 in. (Tightening torque: < 1,5 Nm / < 13.3 lb-in.)
- (2) 3 screws M3,5. (Tightening torque: < 1,2 Nm / < 10.6 lb-in.)
- (3) 2 elongated holes 5,4 x 7,4 mm / 0.21 x 0.29 in. (Tightening torque: < 1,5 Nm / < 13.3 lb-in.)

Mounting

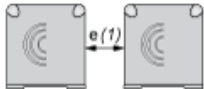
Head Positions



Setting-up Precautions

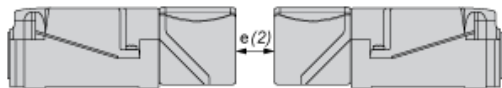
Minimum Mounting Distances (mm)

Side by Side



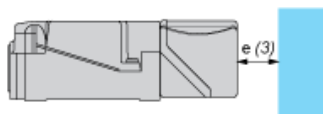
e (1) 120
≥

Face to Face



e (2) 240
≥

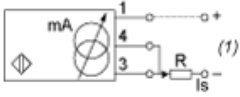
Facing a Metal Object



e (3) 90
≥

Wiring Schemes

2-Wire

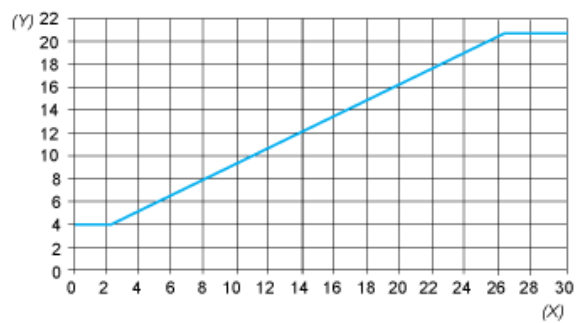


(1) Output current

Ensure a minimum of 10 V between the + and the - (terminal 3) of the sensor

| | Output current | Load impedance value |
|------|----------------|----------------------|
| 12 V | 4...20 mA | $R \leq 82 \Omega$ |
| 24 V | 4...20 mA | $R \leq 560 \Omega$ |

Analogue Outputs



(Y) Output current (mA)
(X) Sensing distance (mm)

X-ON Electronics

Largest Supplier of Electrical and Electronic Components

Click to view similar products for [Proximity Sensors](#) category:

Click to view products by [Schneider](#) manufacturer:

Other Similar products are found below :

[01.001.5653.1](#) [70.340.1028.0](#) [70.360.2428.0](#) [70.364.4828.0](#) [70.810.1053.0](#) [72.360.1628.0](#) [73.363.6428.0](#) [8027AL20NL2CPXX](#) [FYCC8E1-2](#)
[9221350022](#) [922AA2W-A9P-L](#) [PLS2](#) [GL-12F-C2.5X10\(LOT3\)](#) [972AB2XM-A3N-L](#) [972AB3XM-A3P-L](#) [PS3251](#) [980659-1](#) [QT-12](#) [E2E2-](#)
[X5M41-M4](#) [E2E-X14MD1-G](#) [E2E-X2D1-G](#) [E2EX2ME2N](#) [E2EX3D1SM1N](#) [E2E-X4MD1-G](#) [E2E-X5E1-5M-N](#) [E2E-X5Y2-N](#) [E2E-X7D1-](#)
[M1J-T-0.3M-N](#) [E2FMX1R5D12M](#) [E2K-F10MC1](#) [5M](#) [EH-302](#) [EI3010TBOP](#) [EI5515NPAP](#) [MS605AU](#) [EP175-32000](#) [IFRM04N35B1/L](#)
[IFRM04P1513/S35L](#) [IFRM06P1703/S35L](#) [IFRM08P1501/S35L](#) [IFRM12N17G3/L](#) [IFRM12P17G3/L](#) [IFRM12P3502/L](#) [IFRM12P37G1/S14L](#)
[ILFK12E9189/I02](#) [ILFK12E9193/I02](#) [IMM2582C](#) [OISN-013](#) [25.161.3253.0](#) [25.332.0653.1](#) [25.352.0653.0](#) [25.352.0753.0](#)