

XUVH0312

photo-electric sensor - XUV - fork - handling -
30X30mm - 12..24VDC - cable 2m

Product availability: Stock - Normally stocked in distribution facility



Main

Range of product	OsiSense XU
Series name	Application material handling
Electronic sensor type	Photo-electric sensor
Sensor name	XUV
Sensor design	Fork
Detection system	Thru beam
Emission	Infrared
Passage width	1.18 in (30 mm)
Passage depth	1.57 in (40 mm)
Material	Plastic
Supply circuit type	DC
Wiring technique	3-wire
Discrete output type	PNP
Discrete output function	1 NO
Electrical connection	Cable
Cable length	6.56 ft (2 m)
Product specific application	Detection of flags in lifts/transtockers
[Sn] nominal sensing distance	1.18 in (30 mm)

Complementary

Enclosure material	ABS/PC
Lens material	PMMA
Type of output signal	Discrete
Output type	Solid state
Output function governance	Dark
Cable composition	3 x 0.34 mm ²
Wire insulation material	PvR
Cable outer diameter	0.2 in (5 mm)
Status LED	1 LED (red) output state
[Us] rated supply voltage	24 V DC with reverse polarity protection
Supply voltage limits	19...38 V DC
Switching capacity in mA	<= 150 mA (overload and short-circuit protection)
Switching frequency	<= 1 kHz
Voltage drop	<= 1.5 V (closed state)
Current consumption	<= 20 mA (no-load)
Delay first up	<= 30 ms
Delay response	0.5 ms
Delay recovery	0.5 ms
Setting-up	Without sensitivity adjustment
Depth	2.68 in (68 mm)
Height	2.32 in (59 mm)
Width	0.55 in (14 mm)
Product weight	0.29 lb(US) (0.13 kg)

The information provided in this documentation contains general descriptions and/or technical characteristics of the products contained herein. This documentation is not intended as a substitute for and is not to be used for determining suitability or reliability of these products for specific user applications. It is the duty of any such user or integrator to perform the appropriate and complete risk analysis, evaluation and testing of the products with respect to the relevant specific application or use thereof. Neither Schneider Electric Industries SAS nor any of its affiliates or subsidiaries shall be responsible or liable for misuse of the information contained herein.

Environment

Product certifications	CE
Ambient air temperature for operation	23...131 °F (-5...55 °C)
Ambient air temperature for storage	-4...158 °F (-20...70 °C)
Vibration resistance	7 gn, amplitude = +/- 1 mm (f = 10...42 Hz) conforming to IEC 60068-2-6
Shock resistance	30 gn (duration = 11 ms) conforming to IEC 60068-2-27
IP degree of protection	IP54 conforming to IEC 60529

Ordering and shipping details

Category	22481 - SENSORS, PHOTOELECTRIC
Discount Schedule	DS2
GTIN	00785901654162
Nbr. of units in pkg.	1
Package weight(Lbs)	0.22
Returnability	Y
Country of origin	FR

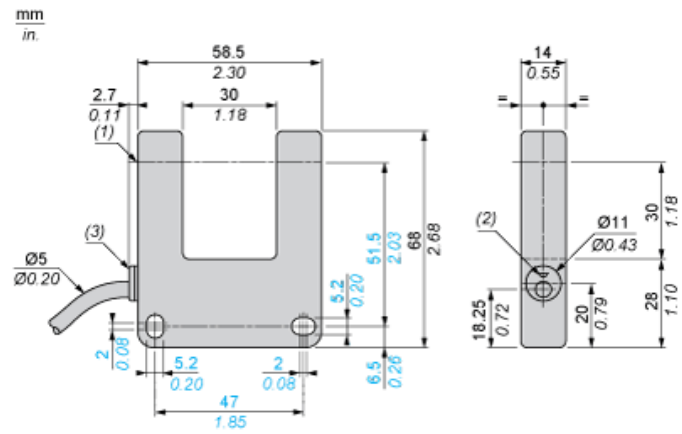
Offer Sustainability

RoHS (date code: YYWW)	Compliant - since 0931 - Schneider Electric declaration of conformity Schneider Electric declaration of conformity
REACH	Reference not containing SVHC above the threshold
California proposition 65	WARNING: This product can expose you to chemicals including:
----- Substance 1	Diisononyl phthalate (DINP), which is known to the State of California to cause cancer, and
----- Substance 2	Di-isodecyl phthalate (DIDP), which is known to the State of California to cause birth defects or other reproductive harm.
----- More information	For more information go to www.p65warnings.ca.gov

Contractual warranty

Warranty period	18 months
-----------------	-----------

Dimensions

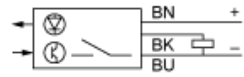


- (1) Optical axis
- (2) Red LED
- (3) Diffuser

Wiring Schemes (3-Wire DC)

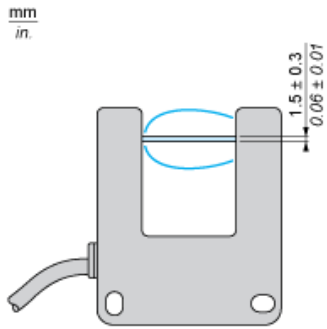
NO Function

PNP Output



BN : Brown
BK : Black
BU : Blue

Detection Curve



X-ON Electronics

Largest Supplier of Electrical and Electronic Components

Click to view similar products for [Photoelectric Sensors](#) category:

Click to view products by [Schneider](#) manufacturer:

Other Similar products are found below :

[7442AD2X5FRX](#) [EX-19B-LP](#) [EX-19SB-PN](#) [7443AR0X5FRX](#) [7452AD4D4NNX](#) [F3WD052C5M](#) [7655AR-04-F-1-2-RX](#) [7694ADE04DS2X](#)
[FE7C-FRC6S-M](#) [FX-305](#) [PM-R24-R](#) [Q45VR2FPQ](#) [13104RQD07](#) [E3JUXM4MN](#) [E3L2DC4](#) [E3S3LE21](#) [E3SCT11M1J03M](#) [E3SDS20E21](#)
[E3VDS70C43S](#) [E3XNM16](#) [BR23P](#) [HOA6563-001](#) [OJ-3307-30N8](#) [OS-311A-30](#) [P32013](#) [P34036](#) [P43004](#) [P56001](#) [P60001](#) [PB10CNT15PO](#)
[S14132](#) [935286-000](#) [S52101](#) [S56258](#) [SH-21E](#) [EX-L261-P](#) [FD-SN500](#) [FE7B-FDRB6-M](#) [SU-79](#) [T36342](#) [T40300](#) [T60001](#) [PD60CNX20BP](#)
[FX-302-HY](#) [FZS](#) [PM-T64W](#) [PX-22](#) [PZ2-51P](#) [CX-491-P-J](#) [CYNUTX10](#)