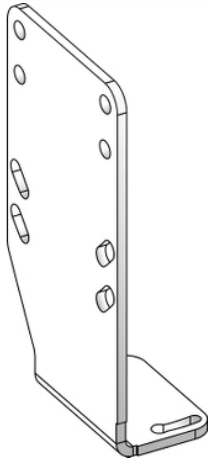


XUZASK003

accessory for sensor - XUK - fixing bracket - metal - for XUL substitution

Product availability: Stock - Normally stocked in distribution facility



Main

Range of product	OsiSense XU
Accessory / separate part category	Mounting and fixing accessory
Accessory / separate part type	Fixing bracket
Product or component type	Fixing bracket
Accessory / separate part destination	50 x 50 mm compact sensor
Material	Metal


Complementary

Product compatibility	XUK
Product weight	0.11 lb(US) (0.05 kg)

Ordering and shipping details

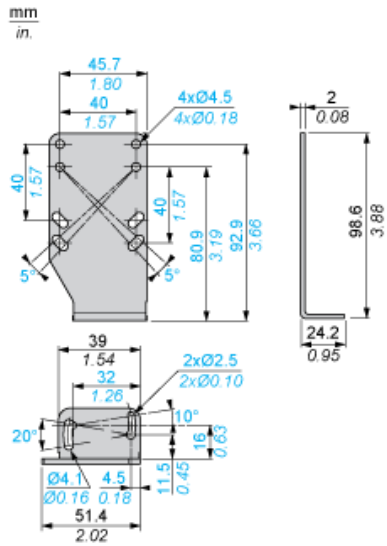
Category	22499 - SENSORS ACCESSORIES
Discount Schedule	DS2
GTIN	00785901939573
Nbr. of units in pkg.	1
Package weight(Lbs)	0.25
Returnability	Y
Country of origin	FR

Offer Sustainability

RoHS (date code: YYWW)	Compliant - since 1701 - Schneider Electric declaration of conformity  Schneider Electric declaration of conformity
REACH	Reference not containing SVHC above the threshold
California proposition 65	WARNING: This product can expose you to chemicals including:
----- Substance 1	Diisononyl phthalate (DINP), which is known to the State of California to cause cancer, and
----- Substance 2	Di-isodecyl phthalate (DIDP), which is known to the State of California to cause birth defects or other reproductive harm.
----- More information	For more information go to www.p65warnings.ca.gov

The information provided in this documentation contains general descriptions and/or technical characteristics of the performance of the products contained herein. This documentation is not intended as a substitute for and is not to be used for determining suitability or reliability of these products for specific user applications. It is the duty of any such user or integrator to perform the appropriate and complete risk analysis, evaluation and testing of the products with respect to the relevant specific application or use thereof. Neither Schneider Electric Industries SAS nor any of its affiliates or subsidiaries shall be responsible or liable for misuse of the information contained herein.

Dimensions



X-ON Electronics

Largest Supplier of Electrical and Electronic Components

Click to view similar products for [Sensor Fixings & Accessories](#) category:

Click to view products by [Schneider](#) manufacturer:

Other Similar products are found below :

[F03-01 SUS304 BINIL](#) [8000-5130](#) [FH-AP1](#) [PH-1-10M](#) [PH-1-20M](#) [PH-2-30M](#) [AC201](#) [R4](#) [ADI-LC3S](#) [E39-L149](#) [EC18-WELL](#) [PC-15015](#)
[K35-4](#) [A-1923](#) [SS-12143](#) [STA12](#) [AP4-T](#) [PH-1-50M](#) [R6](#) [D01051301](#) [43912557-020](#) [MF-1](#) [D=3.2](#) [BGN-035](#) [E39-L7](#) [ZX-SB11](#) [D01070602](#)
[606072](#) [606075](#) [Y92ES12PVC4A10ML](#) [Y92ES12PVC4S5ML](#) [SA9Z-F11](#) [Z49-SF1](#) [ZFV-XMF2](#) [E4R-R12A-CS3M010](#) [ZX-SW11E](#) [V3](#)
[CCS-PL-LDR2-70](#) [E4R-R12A-CS3M020](#) [BS-1T](#) [CHITAN](#) [F03-01](#) [CHITAN](#) [CCS-PD2-1012](#) [PH-2-90M](#) [PH-2-5M](#) [XMLZL008](#) [AC244](#)
[28810-1](#) [PH-1-40M](#) [SS-12225](#) [32043-500](#) [81532111](#) [PH-2-60M](#)